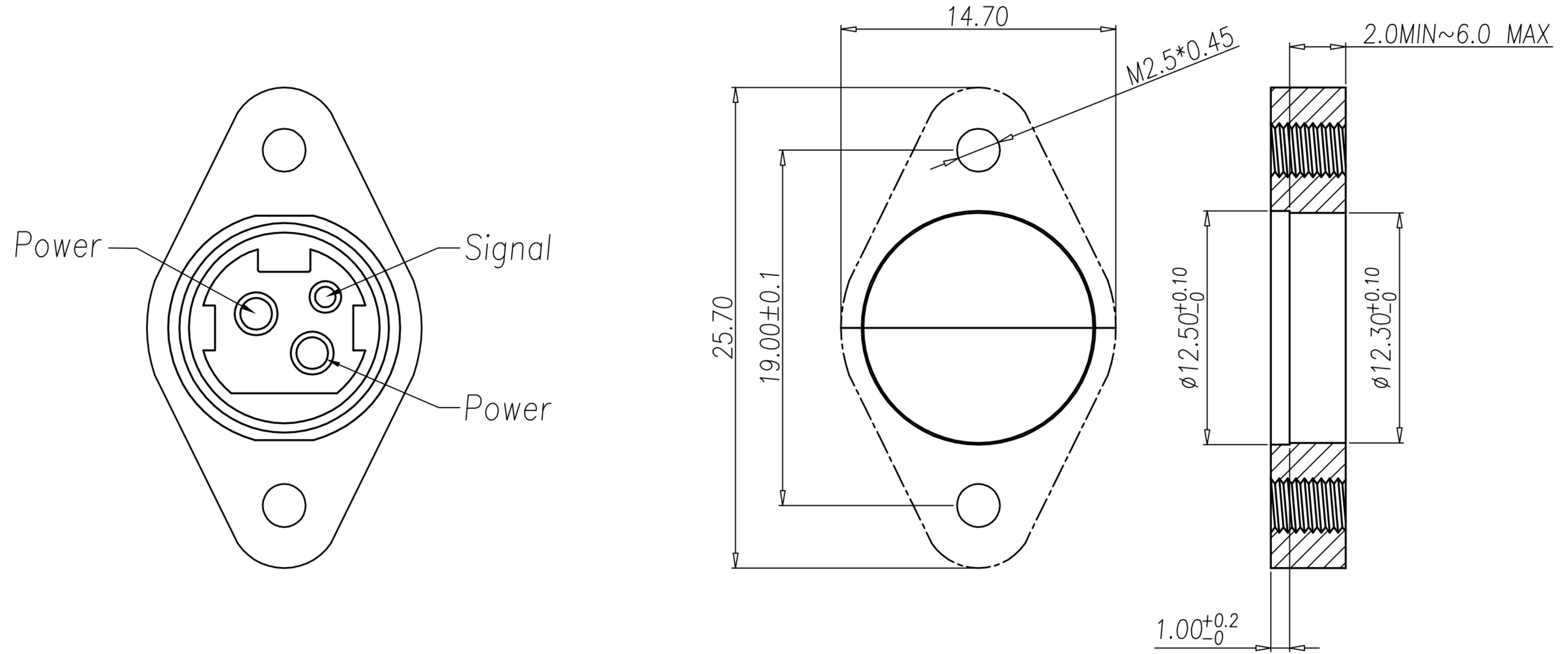


CUSTOMER DRAWING

REV.	DESCRIPTION	APPVL. BY	DATE	ECN NO.
A	RELEASE	Fido Weng	10/09/09	ECN09145
B				
C				

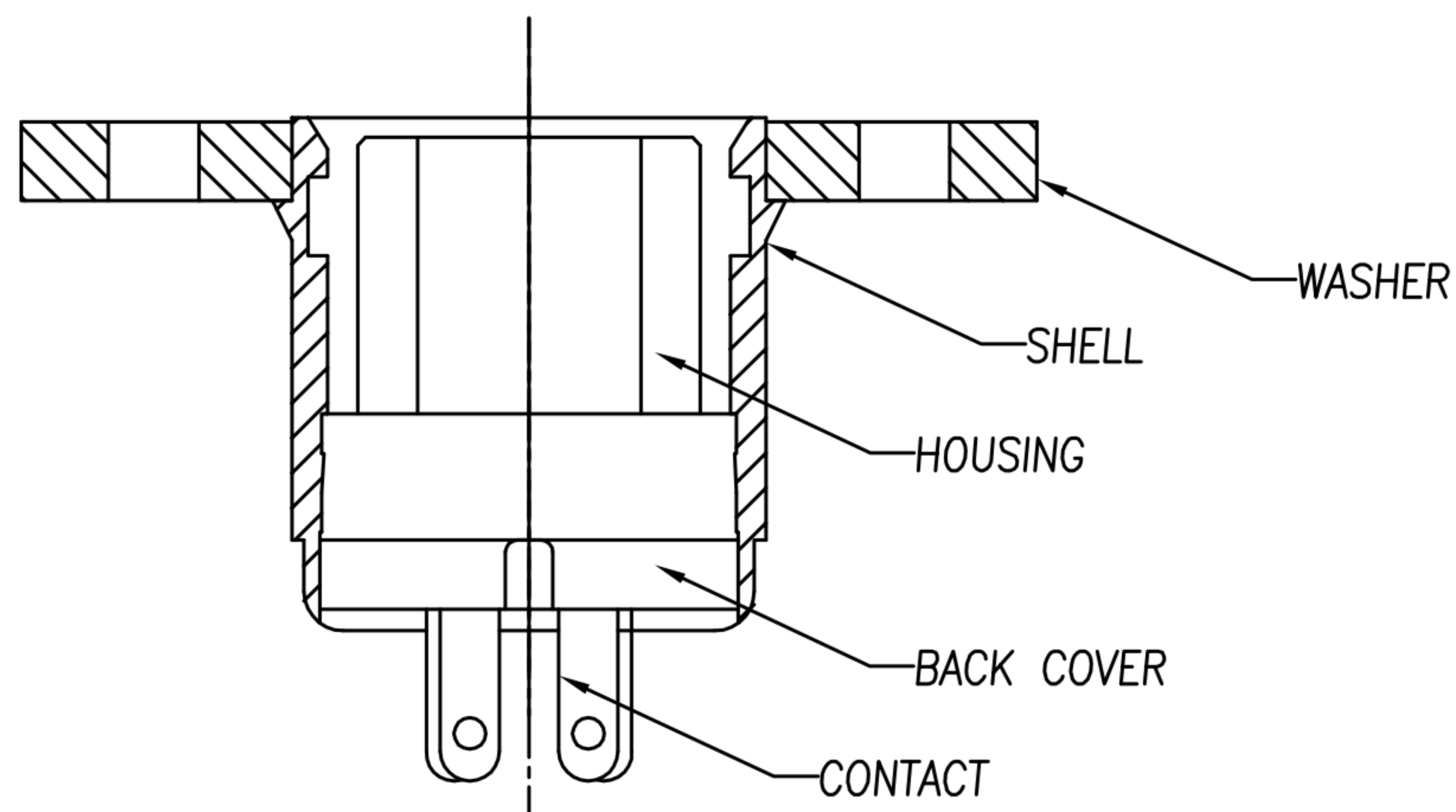
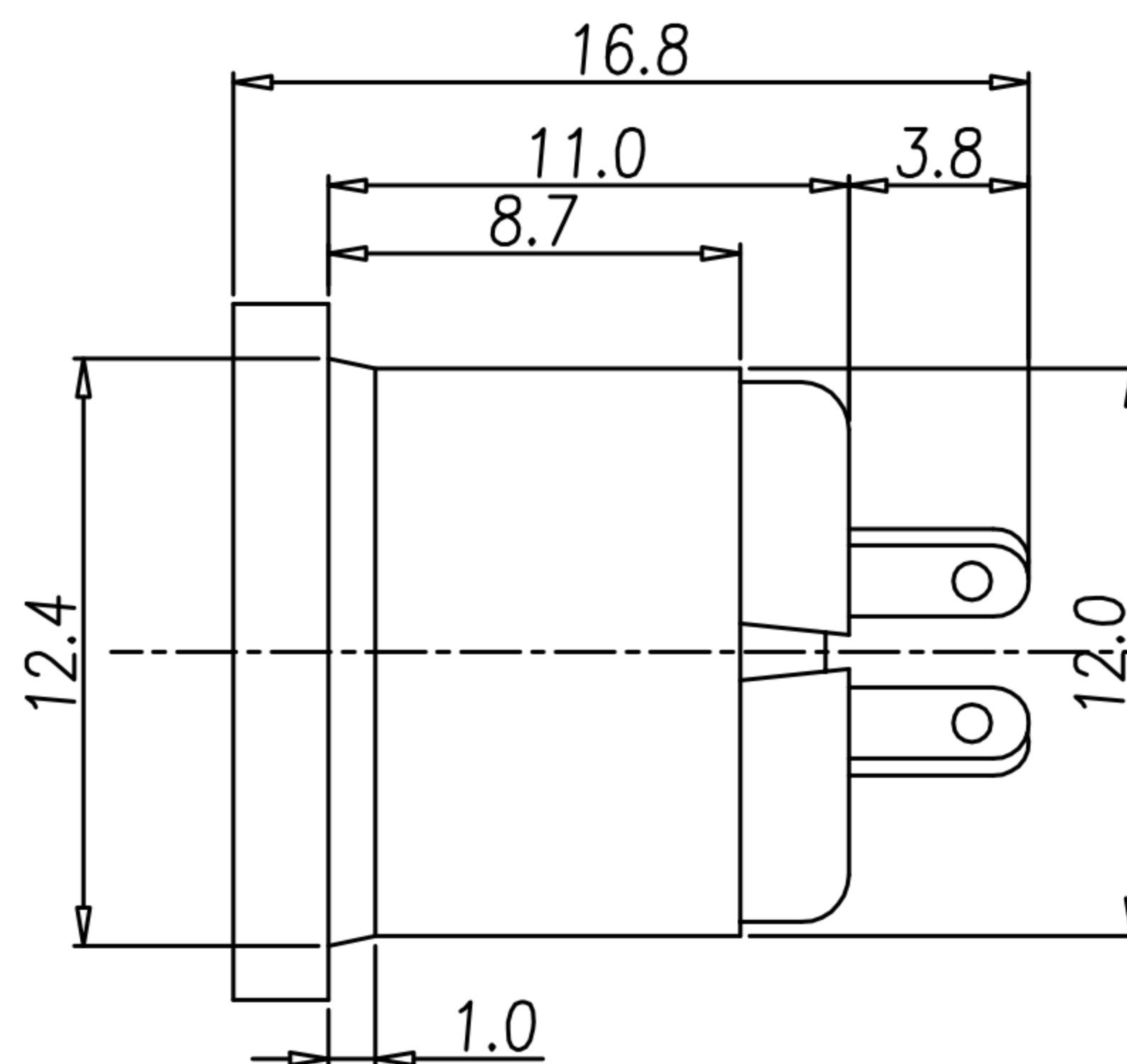
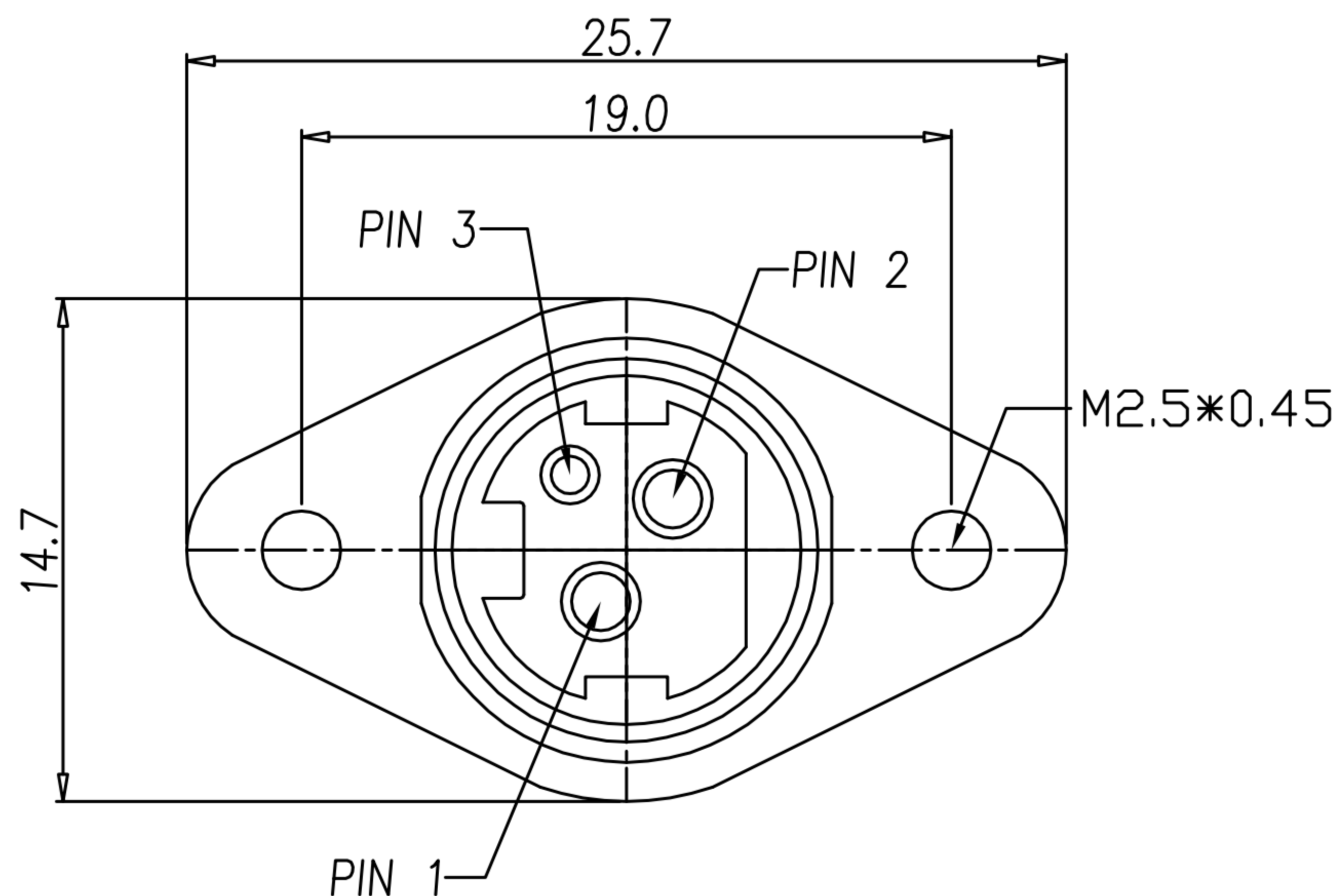


RECOMMEND PANEL CUT-OUT

DRAW	Ku Chou	APPVL	Fido Weng	UNIT	mm	TOLERANCE		广东科斯达电子科技有限公司 GUANG DONG KE SI DA ELECTRONIC TECHNOLOGY CO., LTD.	TITLE	POWER DIN SOCKET 3PIN(F)(ROTATE 90°)			SHEET	2/2
CHECK	Emily Suen			SCALE	1:1	.x ±0.20 .xx ±0.15 .xxx ±0.10 .xxxx ±0.05 ANGULA ±1°			PART NO.	PD-03F2-06	DWG NO.	QC4419	VERSION	A

CUSTOMER DRAWING

REV.	DESCRIPTION	APPVL. BY	DATE	ECN NO.
A	RELEASE	Fido Weng	10/09/09	ECN09145
B				
C				



NOTE:

- 1.MATERIAL:
  - 1-1. HOUSING : PBT UL94V-0 ; COLOR : BLACK
  - 1-2. CONTACT : PHOSPHOR BRONZE
  - 1-3. SHELL : BRASS
  - 1-4. BACK COVER : PBT UL94V-0 ; COLOR : BLACK
  - 1-5. WASHER : BRASS
- 2.PLATING:
  - 2-1. CONTACT : TIN PLATED 60u" OVER NICKEL
  - 2-2. SHELL : NICKEL PLATED 60u" ~ 100u" OVER ALL
- 3.ELETRICAL SPECICATION :
  - 3-1. RATED CURRENT : P1~2-7.5A / P3-1A
  - 3-2. RATED VOLTAGE : 20V/DC MAX
4. ENVIRONMENTAL :
  - 4-1. OPERATION TEMPERATURE : -20℃~85℃

DRAW	Ku Chou	APPVL	Fido Weng	UNIT	mm	TOLERANCE		广东科斯达电子科技有限公司 GUANG DONG KE SI DA ELECTRONIC TECHNOLOGY CO., LTD.	TITLE	POWER DIN SOCKET 3PIN(F)(ROTATE 90°)			SHEET
CHECK	Emily Suen			SCALE	1:1	.x ±0.20 .xx ±0.15 .xxx ±0.10 .xxxx ±0.05 ANGULA ±1°			PART NO.	PD-03F2-06	DWG NO.	QC4419	VERSION