

CUSTOMER DRAWING

REV.	DESCRIPTION	APPROVED BY	DATE	ECN NO.
△A	RELEASE	Fido Weng	20/04/09*	ECN09047
△B	CHANGE & DIN	Fido Weng	02/12/10*	ECN10140
△C				

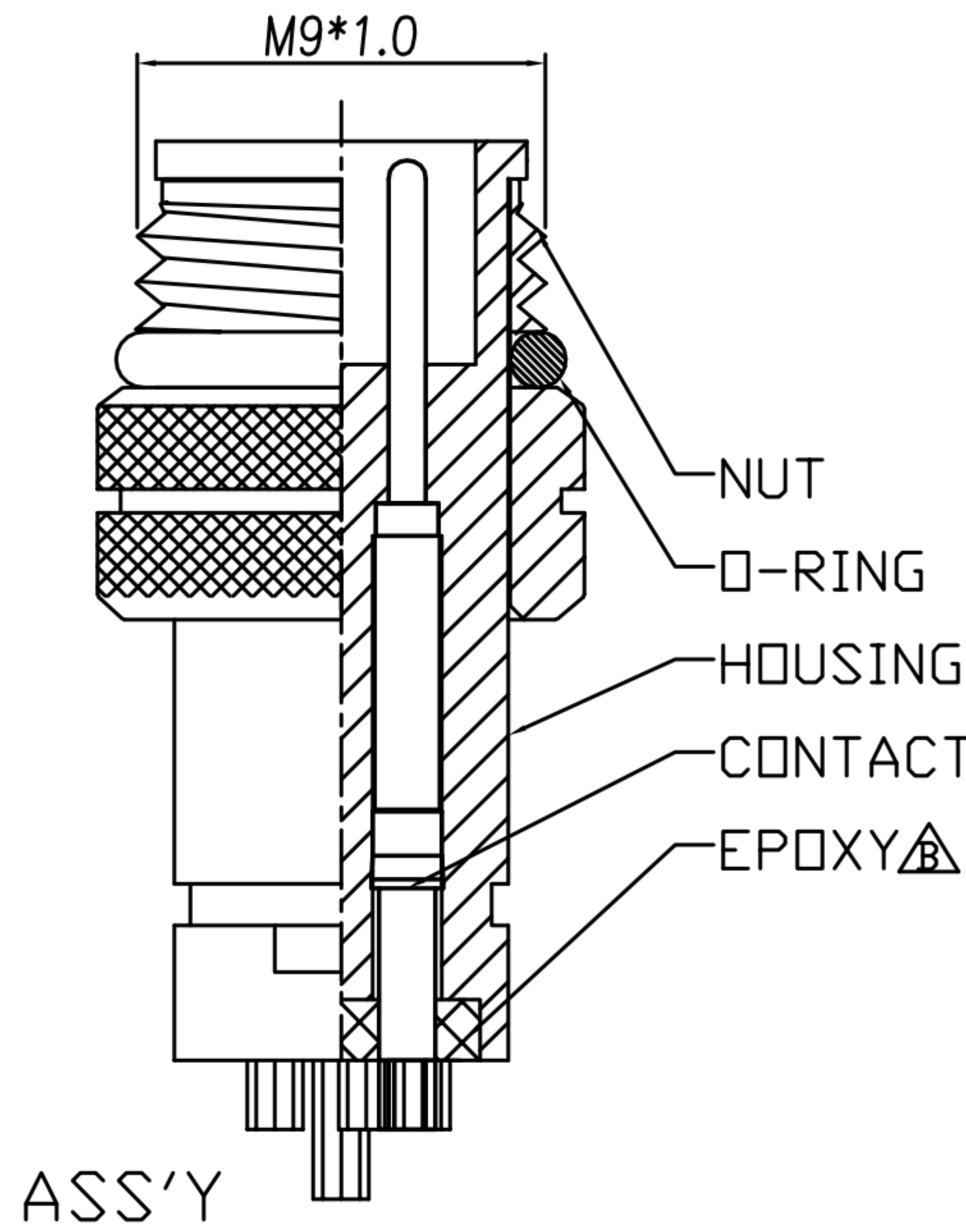
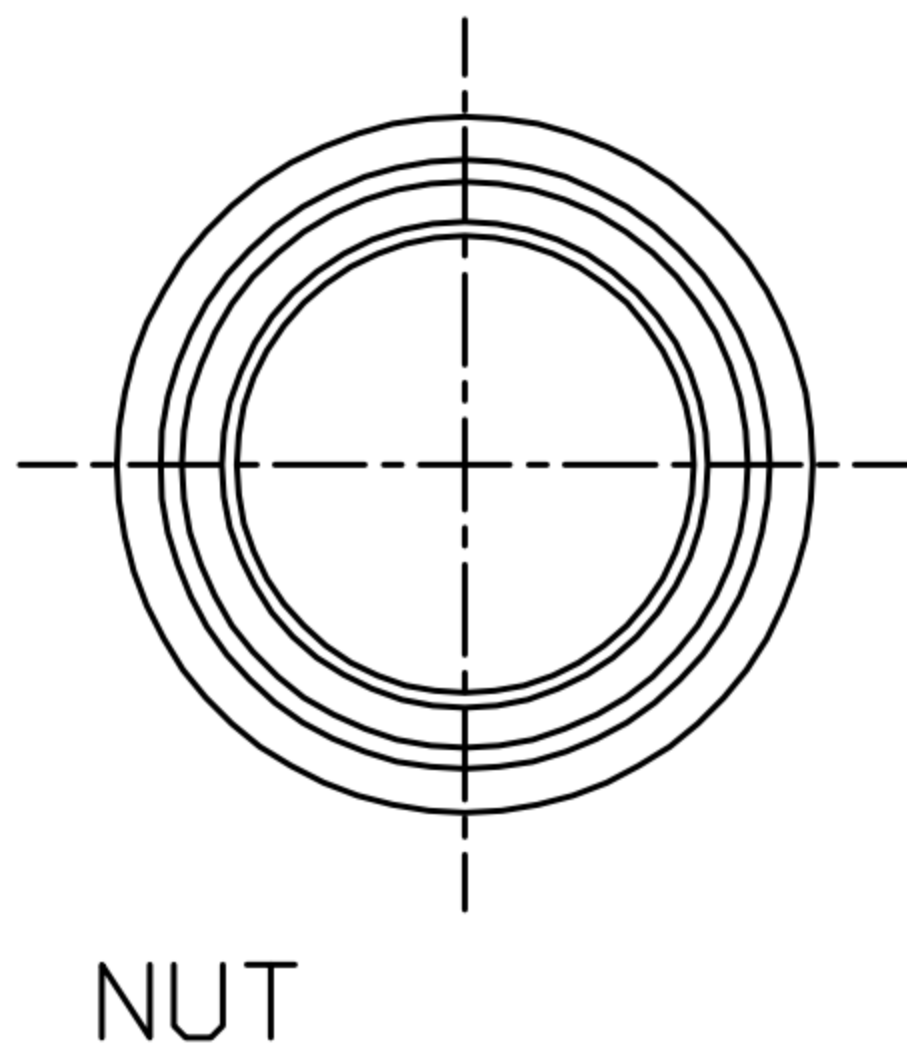
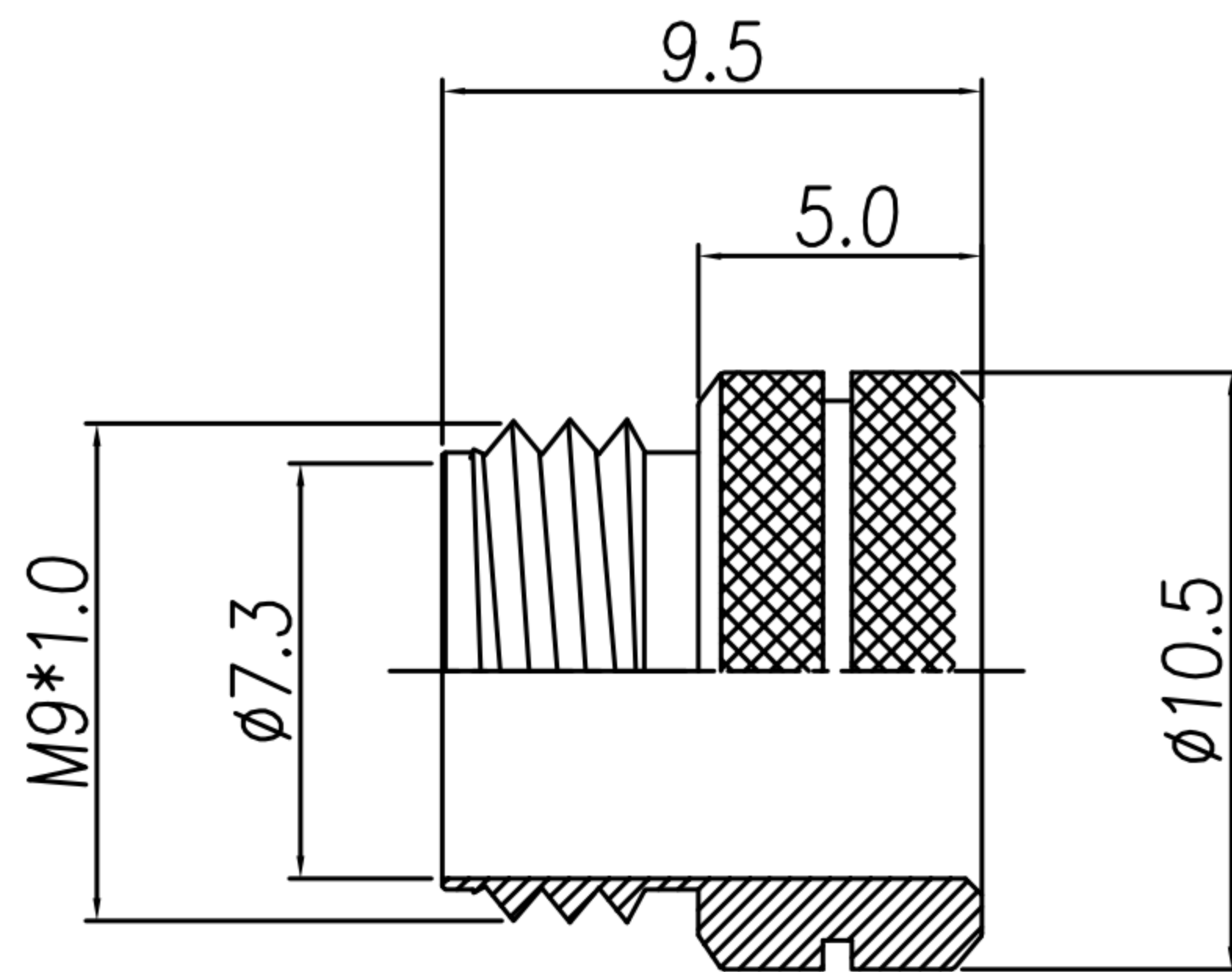
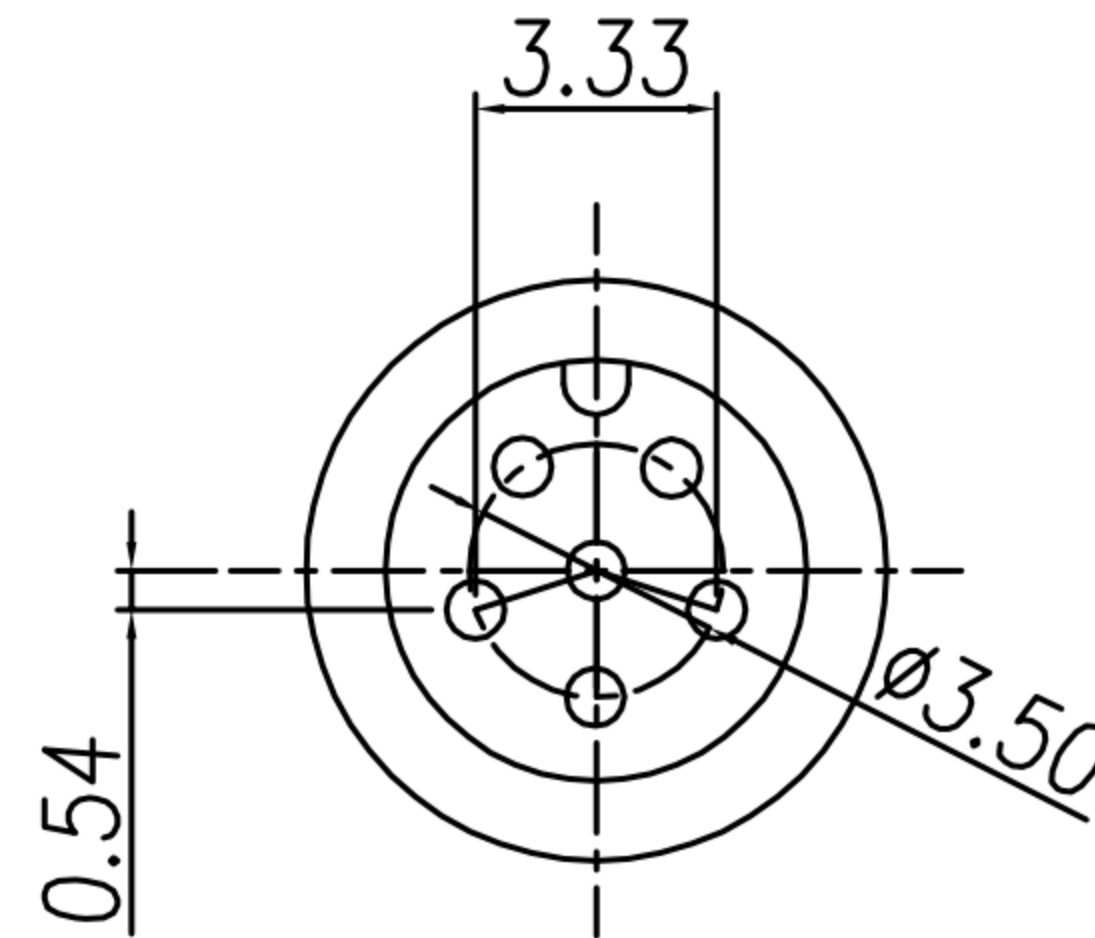
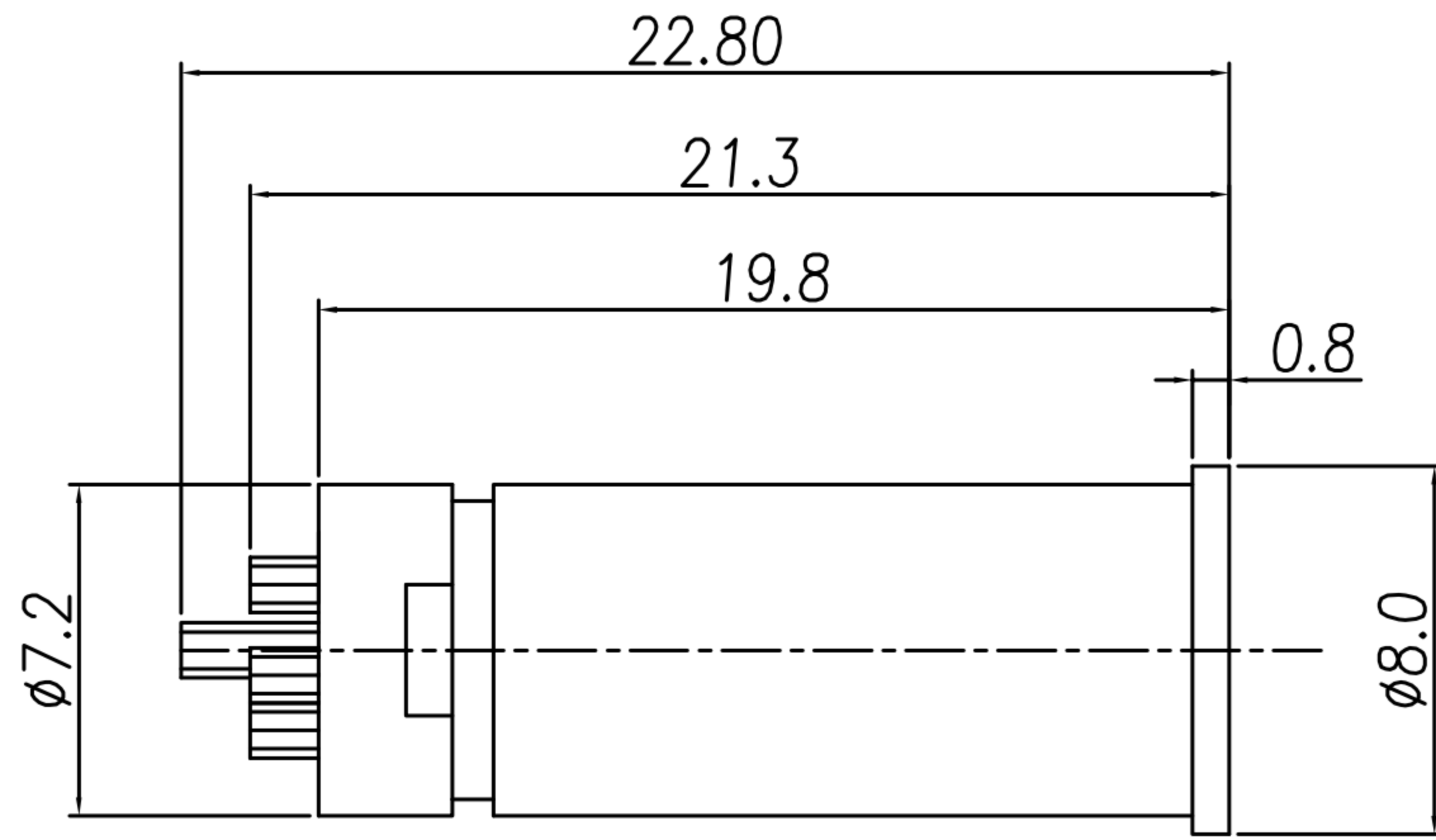


TABLE A

WP-05M2-26 WP-05M2-46	WP-06M2-06
WP-02M2-09	WP-04M2-48
WP-05M2-46	BLACK NICKEL PLATED
WP-06M2-06	NICKEL PLATED
WP-05M2-26	NICKEL PLATED
WP-04M2-48	NICKEL PLATED
WP-02M2-09	NICKEL PLATED
PART No.	FINISH(NUT)

- MATERIAL :
 - HOUSING : PBT UL94V-0 ; COLOR : BLACK
 - CONTACT : BRASS
 - O-RING : NBR ; COLOR : BLACK
 - NUT : BRASS
- FINISH :
 - CONTACT : 10 MICRO INCHES MIN. GOLD PLATED
UNDER PLATE : NICKEL
 - NUT : SEE TABLE A
- ELECTRICAL SPECIFICATION :
 - Rated current : 4A
 - Rated voltage : 60V
 - Water proof : IPX7
- Environmental :
 - Operation Temperature : -20℃~85℃

DRAWN	Ku Chou	APP'D	Emily Suen	UNIT	mm	TOLERANCE		广东科斯达电子科技有限公司 GUANG DONG KE SI DA ELECTRONIC TECHNOLOGY CO., LTD.	TITLE	M9-(M)線端線式			SHEET	1
CHK'D	Emily Suen			SCALE	1:1	.x ±0.20 .xx ±0.10 .xxx ±0.05 .xxxx ±0.03 ANGULA ±1°			PART NO.	SEE TABLE A	DWG NO.	QC3693	VERSION	