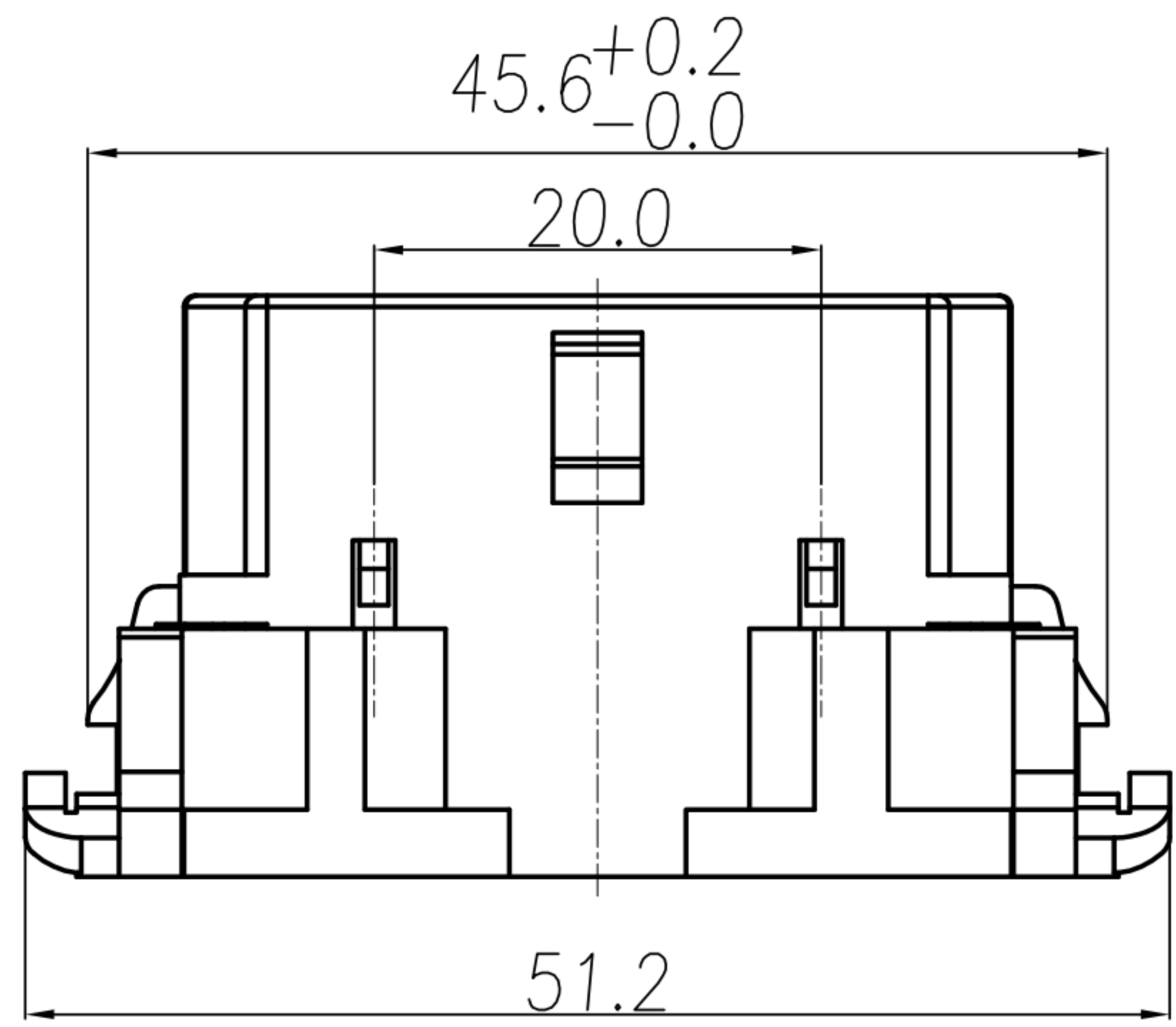
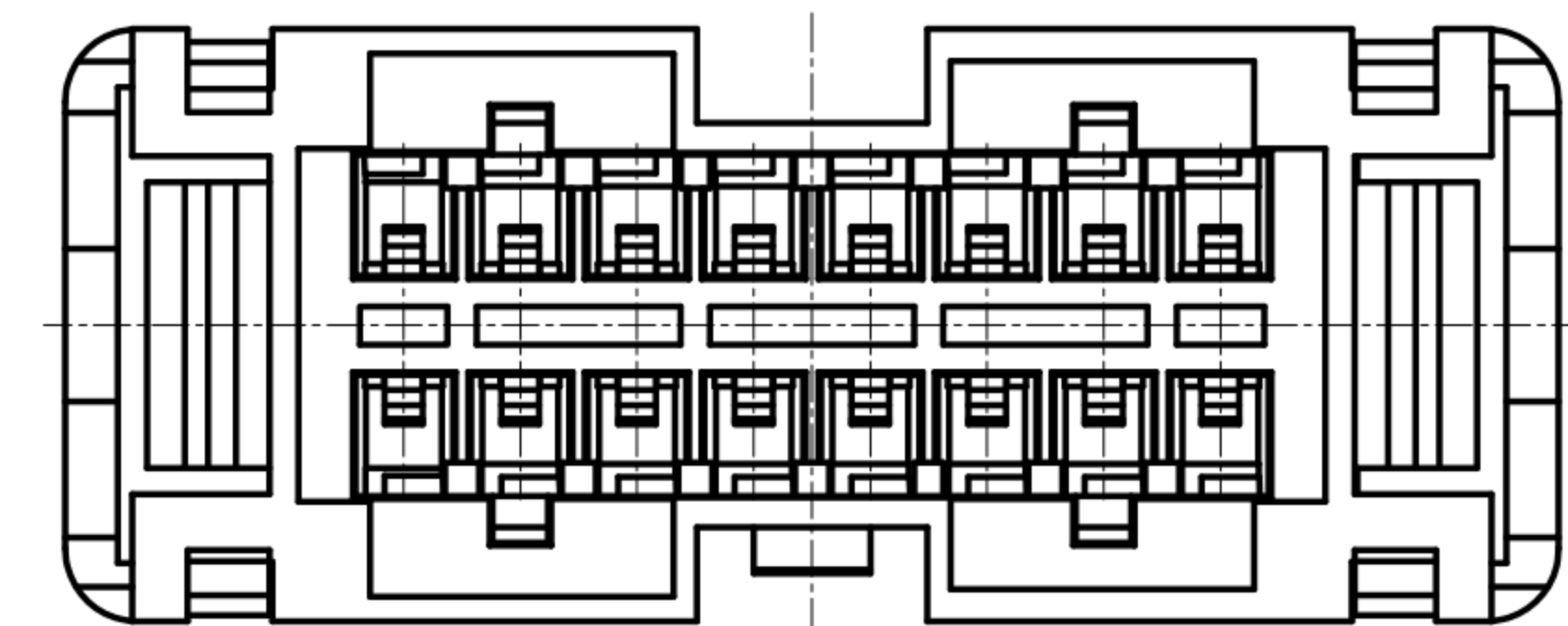
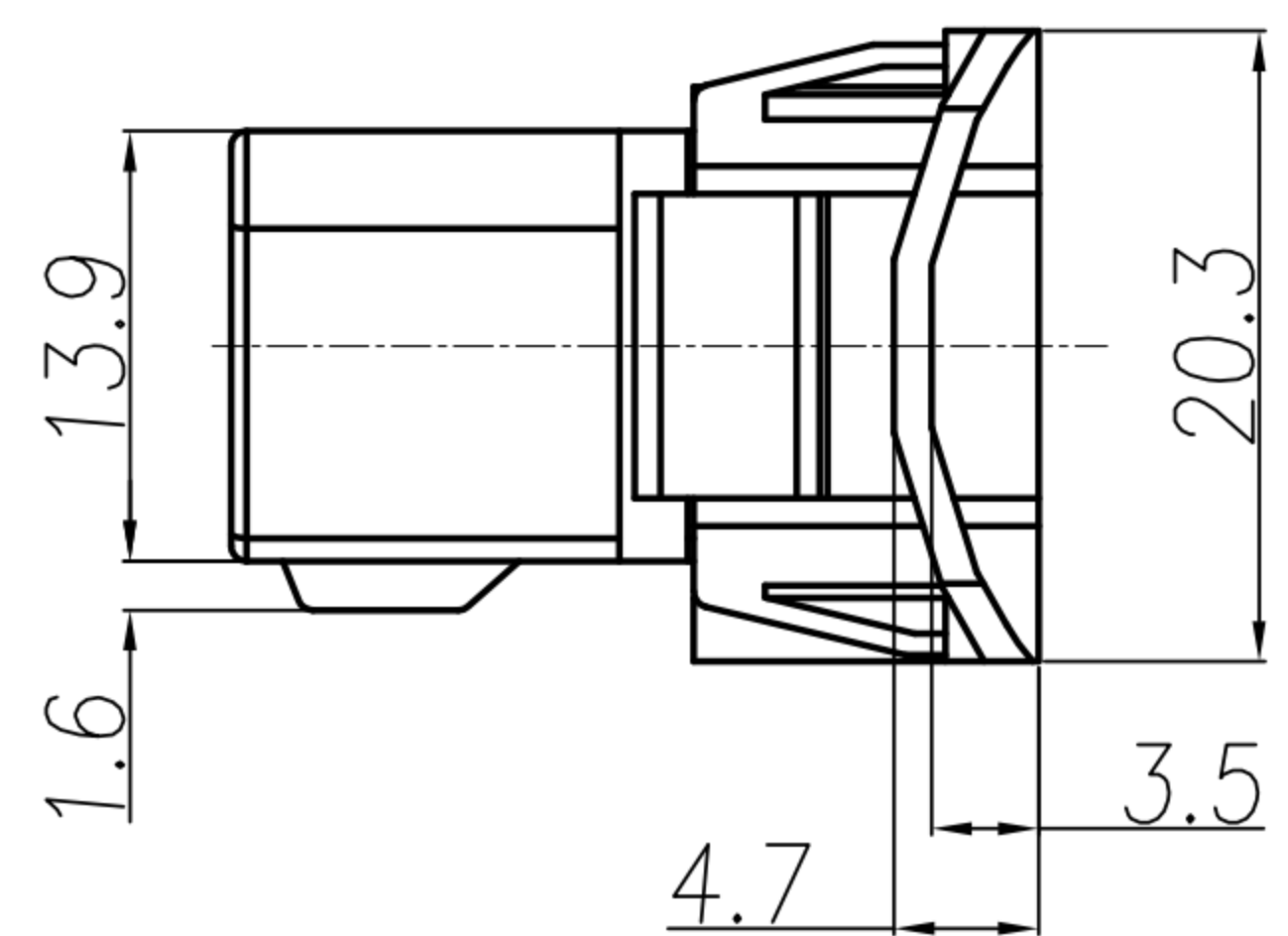
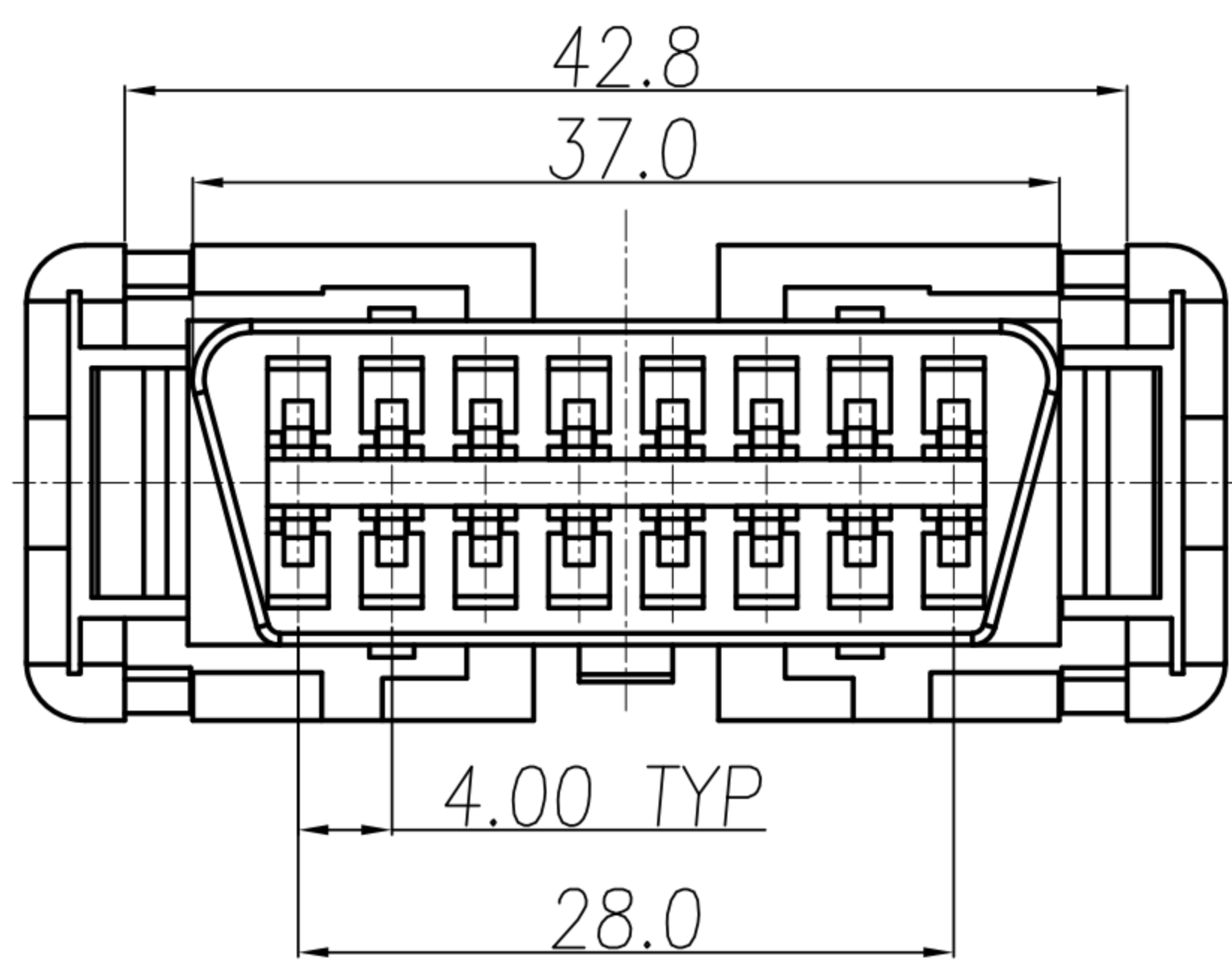
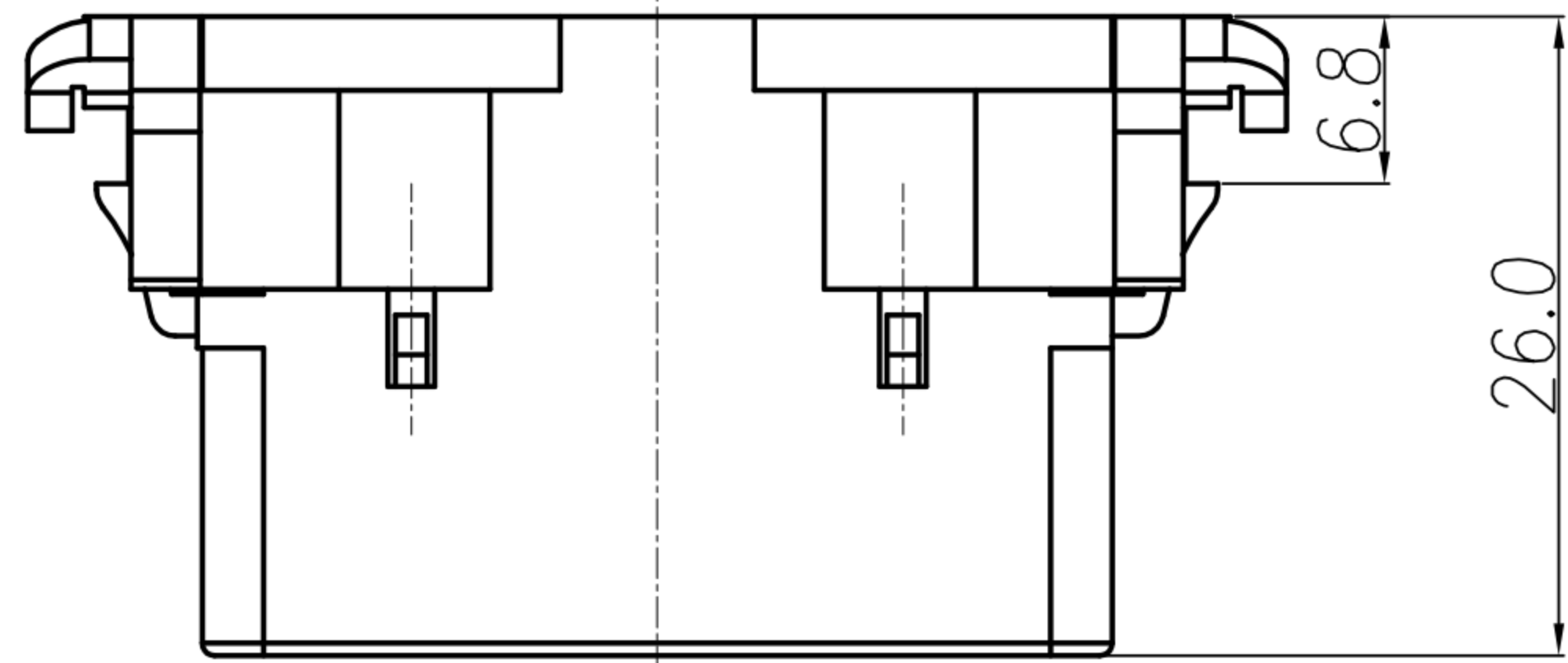


CUSTOMER DRAWING

REV.	DESCRIPTION	APPROVED BY	DATE	ECN NO.
△A	RELEASE	Yeh Chou	2010/02/26	
△B				
△C				
△D				



NOTE/備註:
 1. MATERIAL/材質 : NYLON 66+15%GF/尼龍66+15%玻纖

DRAWN	Yeh Chou	APPVL	Ku Chou	UNIT	mm	TOLERANCE .x ±0.20 .xx ±0.10 .xxx ±0.05 .xxxx ±0.03 ANGULA ±1°		广东科斯达电子科技有限公司 GUANG DONG KE SI DA ELECTRONIC TECHNOLOGY CO., LTD.	TITLE	OBD2 16POS RECEPTACLE(INSET),HOUSING			SHEET	1
CHK'D	Emily Suen			SCALE	1:1				PART NO.	ON-TE0167	DWG NO.	QC3814	VERSION	A