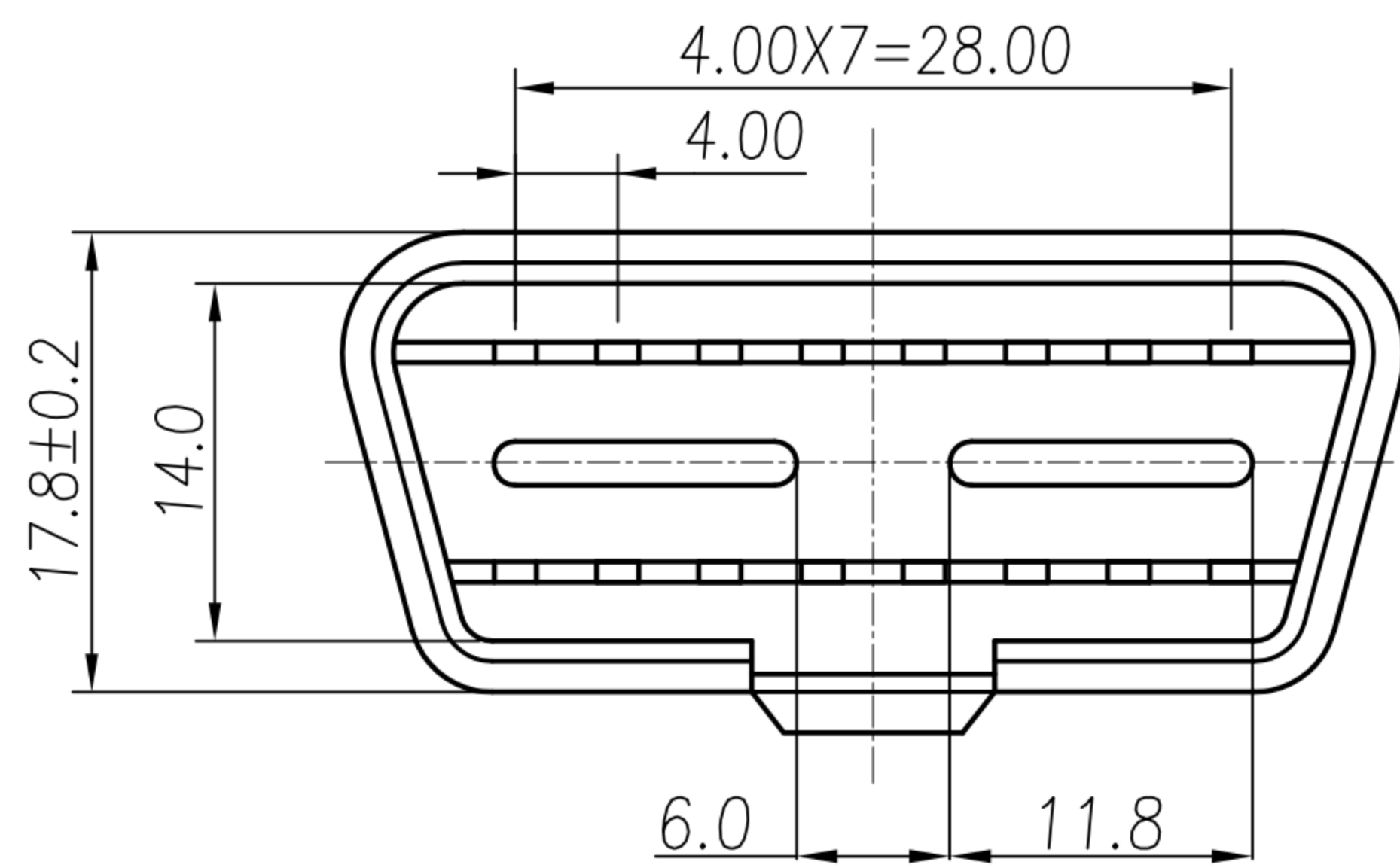
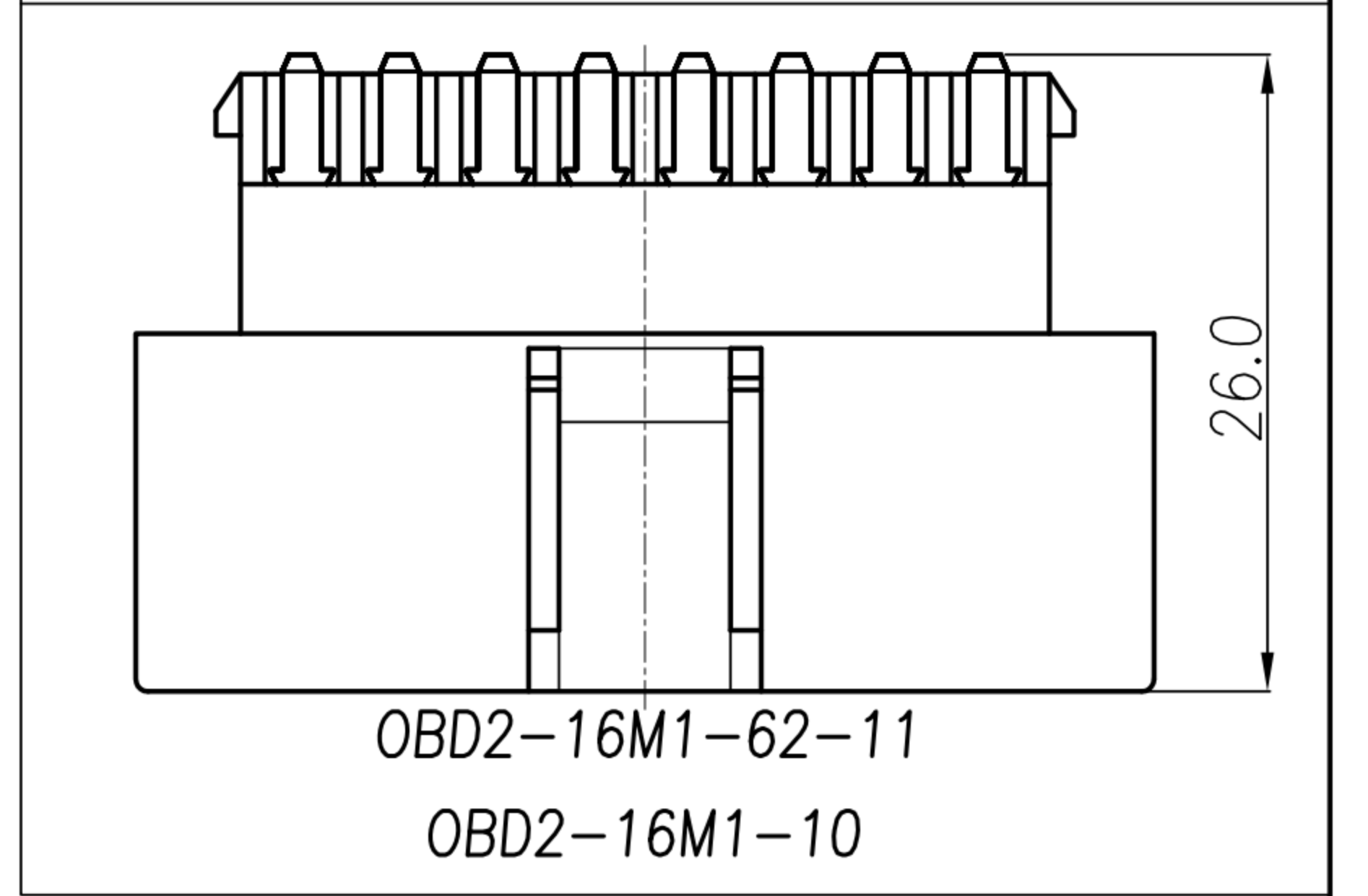
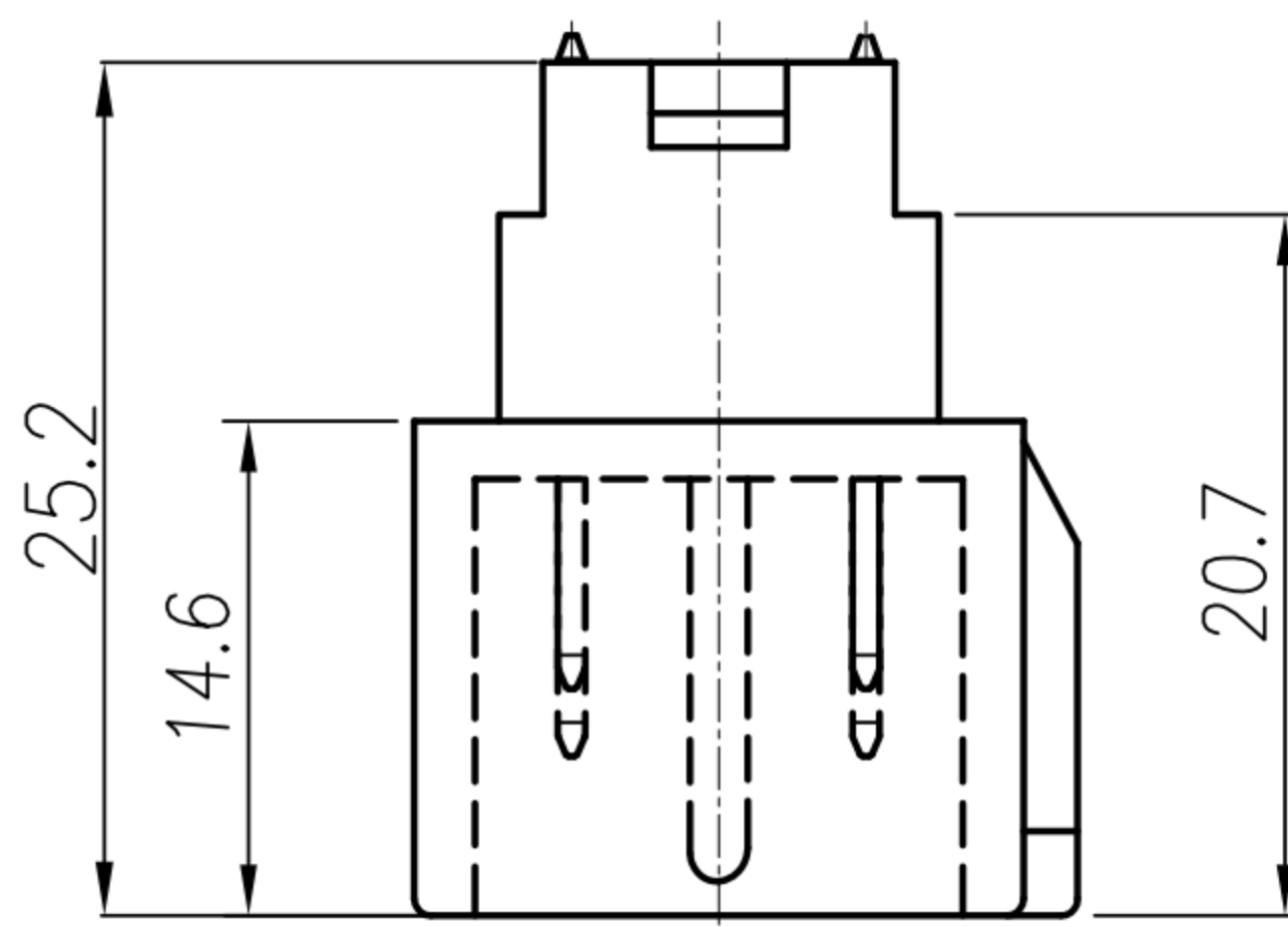
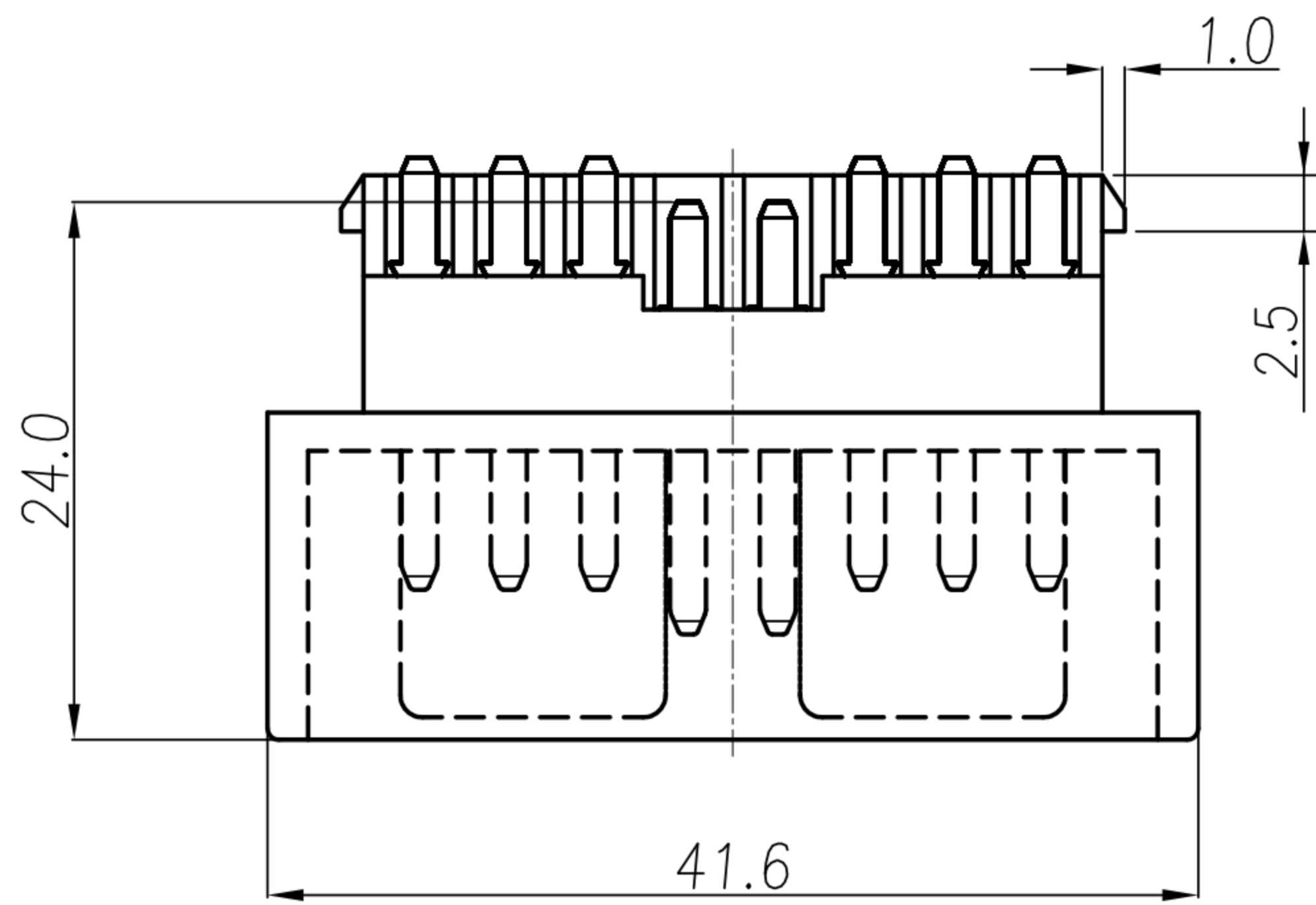
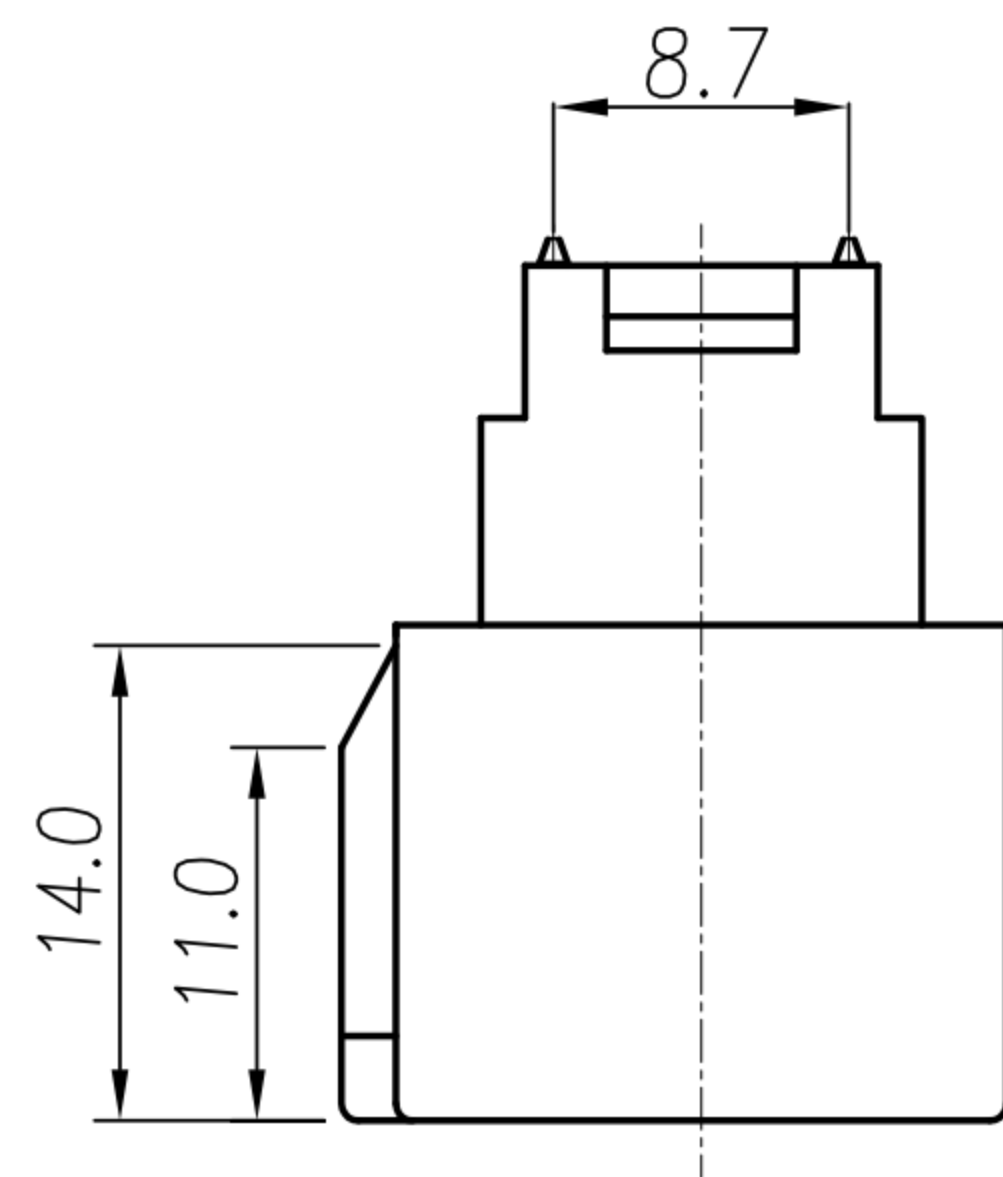
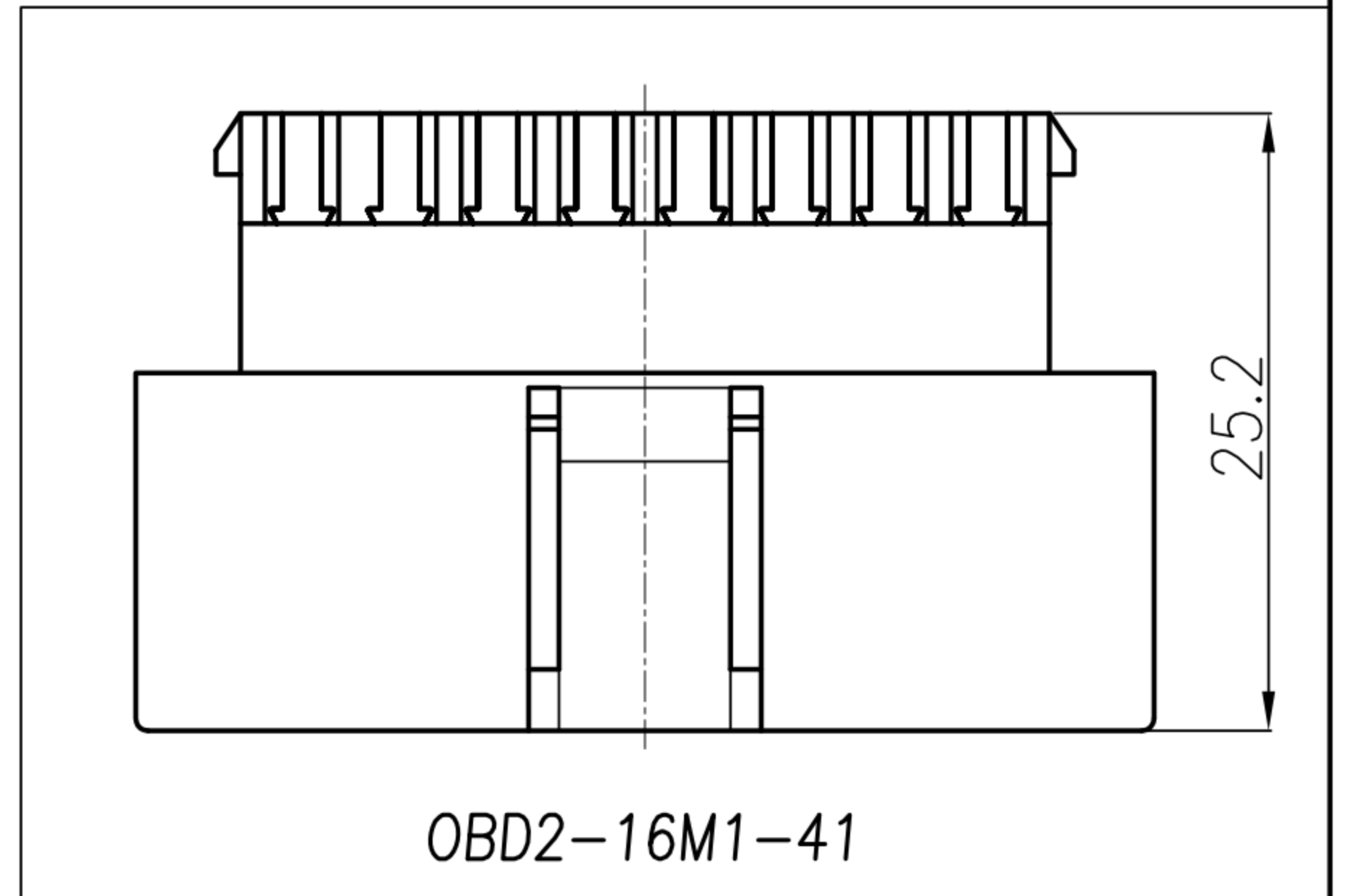
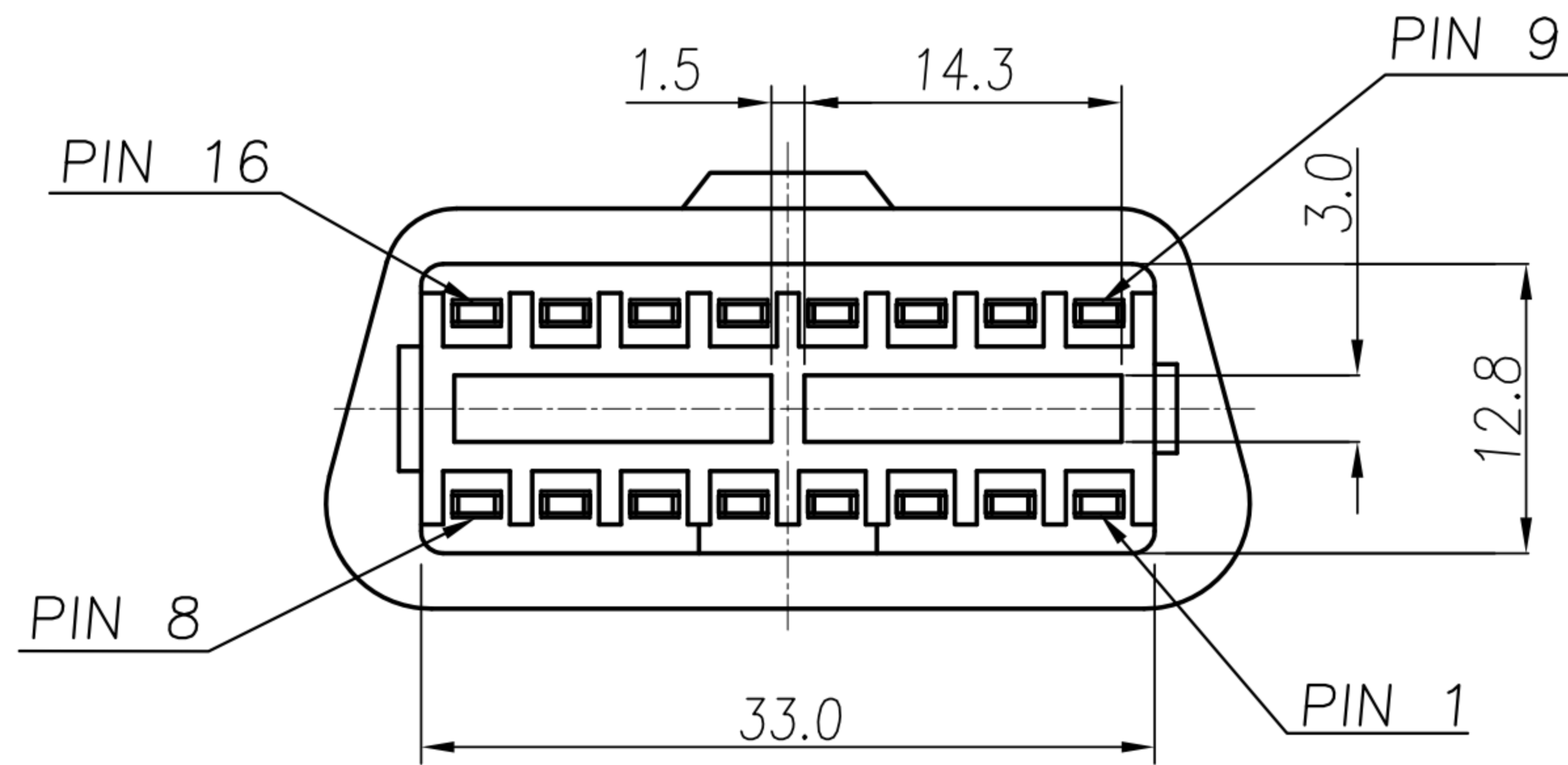


CUSTOMER DRAWING

REV.	DESCRIPTION	APPROVED BY	DATE	ECN NO.
A	RELEASE	Fido Weng	22/12/08'	
B	ADD P/N	Emily Suen	02/07/12'	ECN12014
C				



- MATERIAL :
 - 1-1. HOUSING : NYLON
 - 1-2. CONTACT : BRASS
- FINISH :
 - 2-1. CONTACT : SEE TABLE A
 - SOLDER AREA : SEE TABLE A
 - UNDER PLATE : NICKEL

TABLE A

PART NO	CONTACT	SOLDER AREA
OBD2-16M1-62-11	MATTE TIN 150u"	
OBD2-16M1-41	GOLD FLASH	TIN 60u"
OBD2-16M1-10	GOLD FLASH	TIN 60u"

DRAWN	Ku	APP'D	Emily Suen	UNIT	mm	TOLERANCE		广东科斯达电子科技有限公司 GUANG DONG KE SI DA ELECTRONIC TECHNOLOGY CO., LTD.	TITLE	OBD2 16(M) 雙板成型式			SHEET	B
CHK'D	Emily Suen			SCALE	1:1	.x ±0.20 .xx ±0.10 .xxx ±0.05 .xxxx ±0.03 ANGULA ±1°			PART NO.	SEE TABLE A	DWG NO.	QC3165	VERSION	