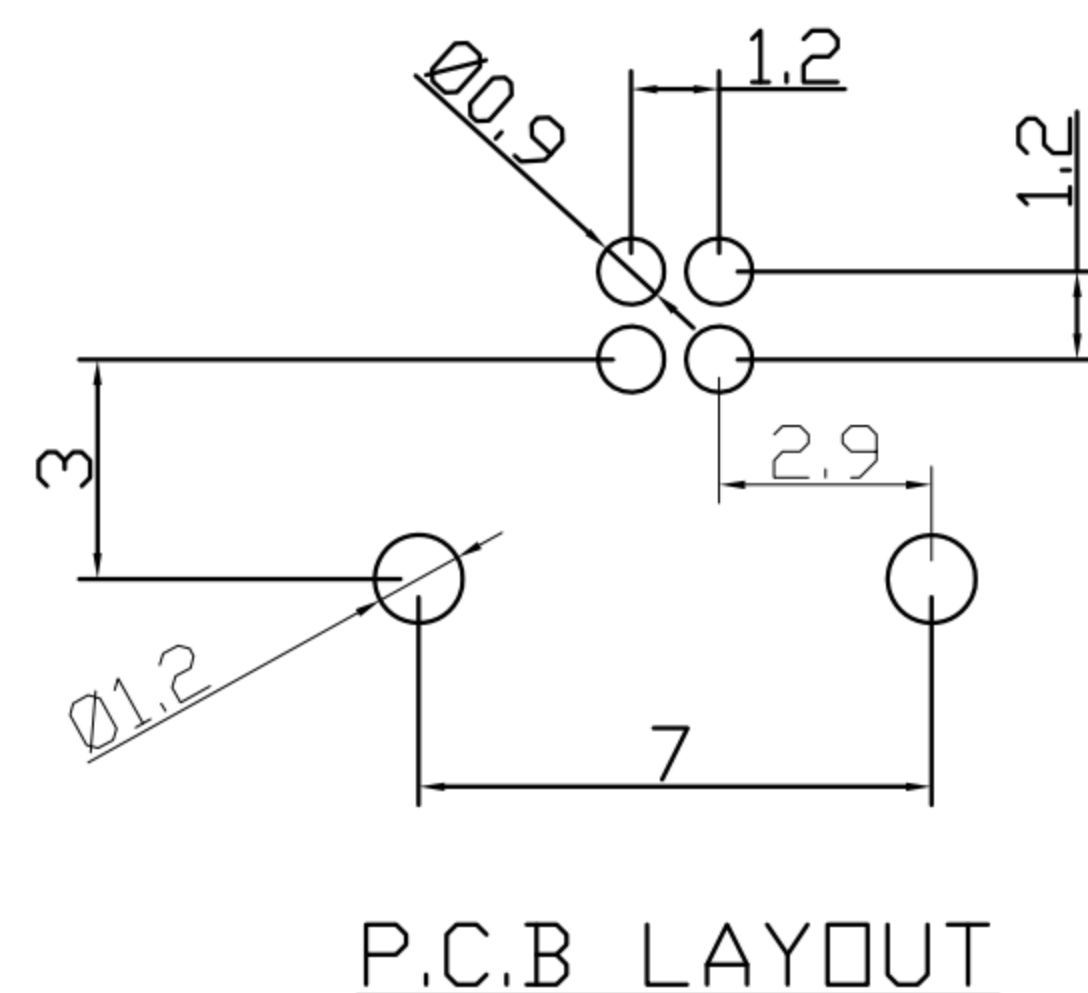
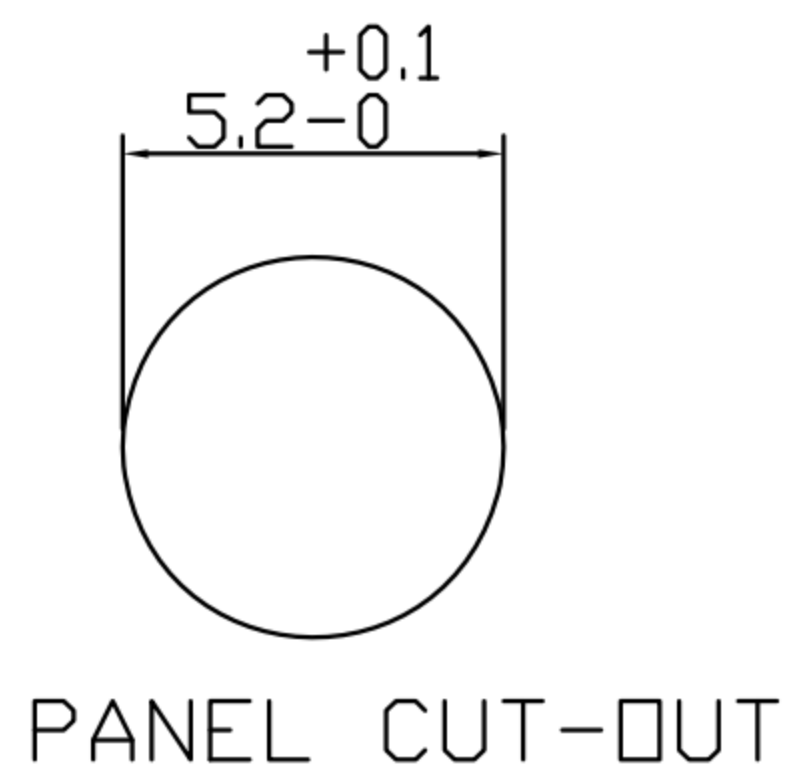
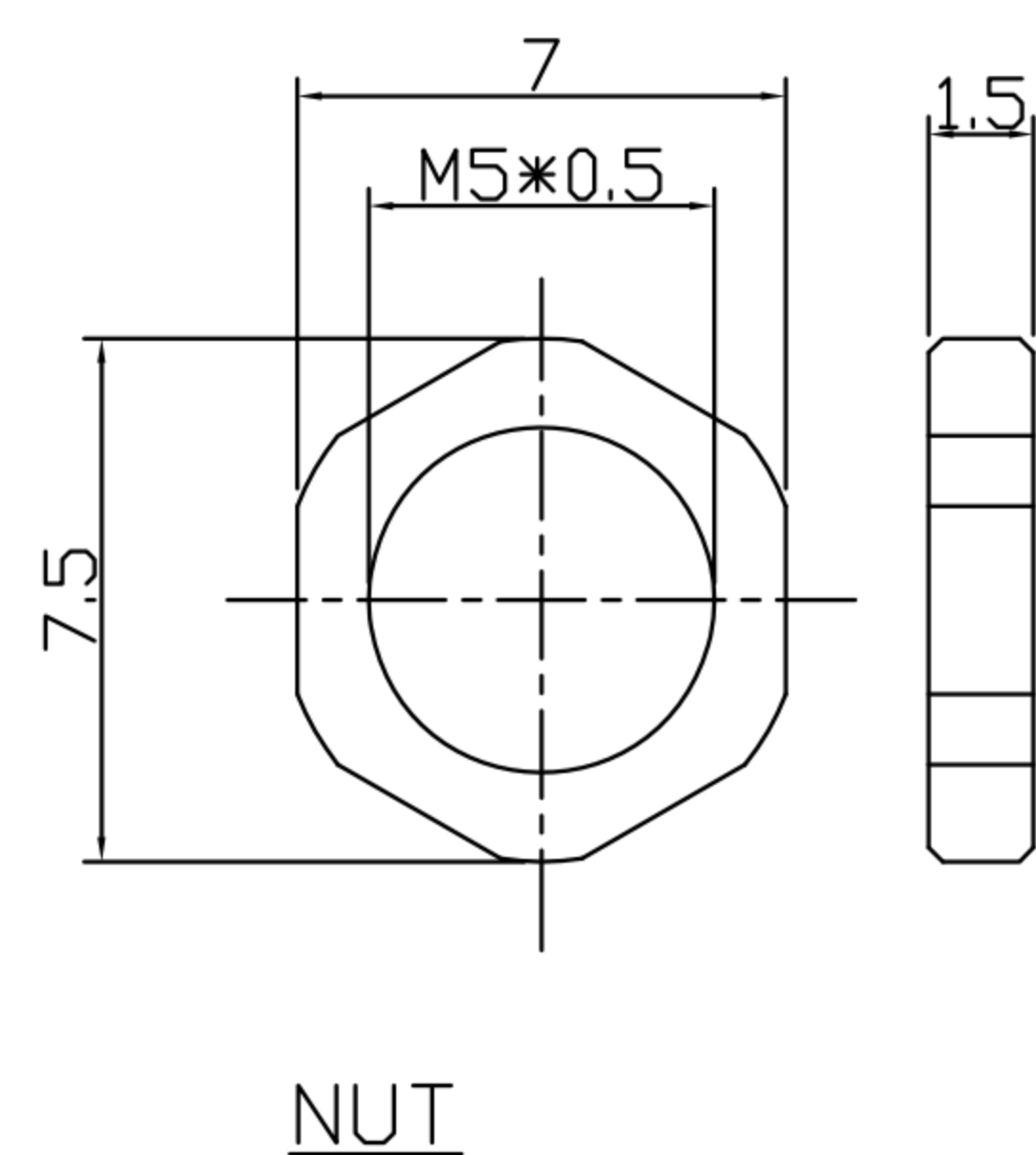
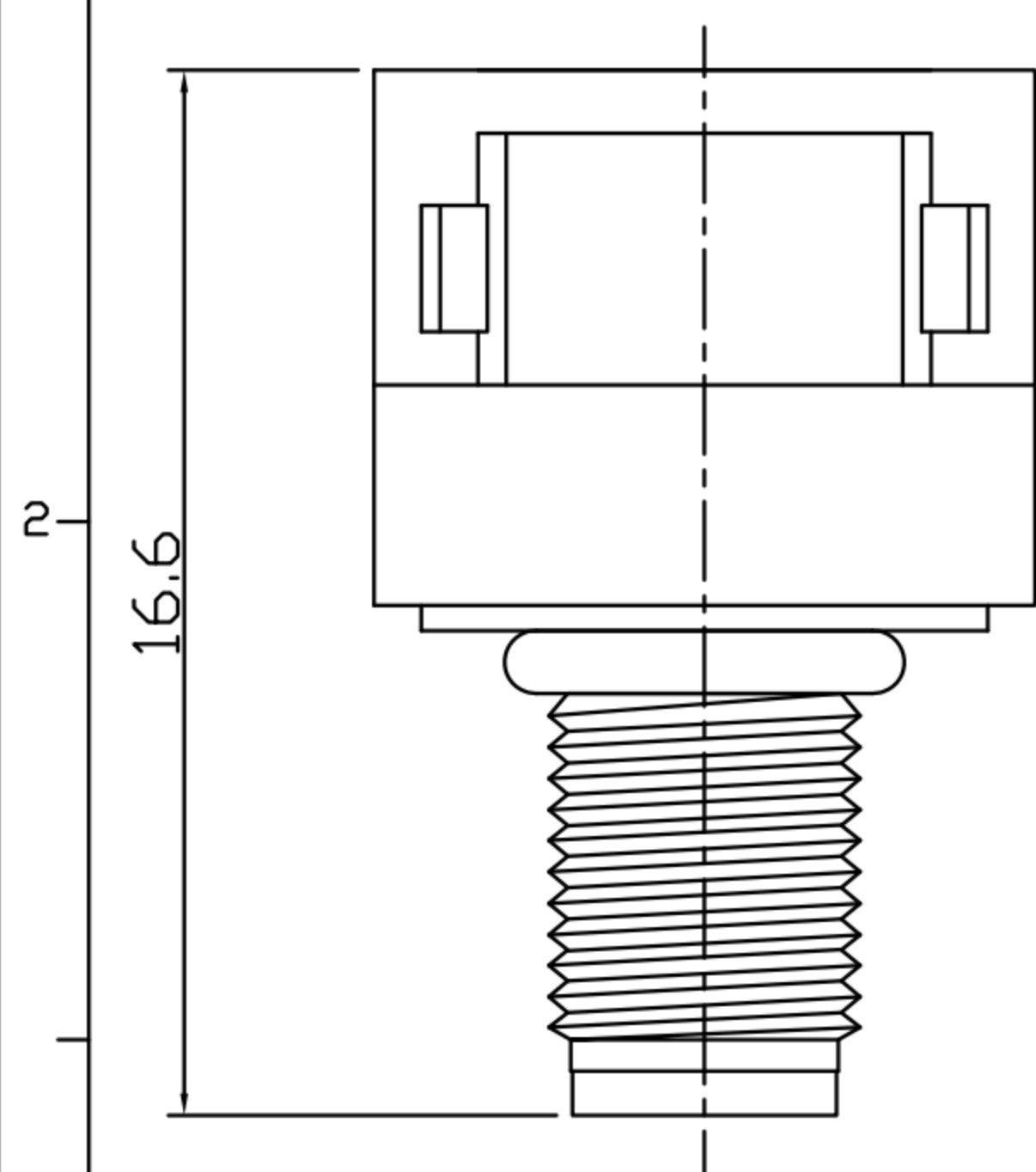


CUSTOMER DRAWING

| REV. | DESCRIPTION | APPROVED BY | DATE      | ECN NO. |
|------|-------------|-------------|-----------|---------|
| △A   | RELEASE     | Fido Weng   | 22/12/08' |         |
| △B   | 增加料號        |             | 14/01/15' |         |
| △C   |             |             |           |         |



NOTE:

- MATERIAL :
  - 1-1. HOUSING : PBT UL94V-0 ; COLOR : BLACK
  - 1-2. CONTACT : BRASS
  - 1-3. NUT : BRASS
  - 1-4. SHELL : BRASS
  - 1-5. O-RING : NBR ; COLOR : BLACK
  - 1-6. BACK HOUSING : PBT UL94V-0 ; COLOR : BLACK
  - 1-7. DOWN HOUSING : PBT UL94V-0 ; COLOR : BLACK
- FINISH :
  - 2-1. CONTACT : SEE TABLE A
  - 2-2. NUT : SEE TABLE A
  - 2-3. SHELL : SATIN NICKEL PLATED
- ELECTRICAL SPECIFICATION :
  - 3-1. Rated current : 1A
  - 3-2. Rated voltage : 60V
  - 3-3. Water proof: IP67
- Environmental :
  - 4-1. Operation Temperature : -20℃~85℃

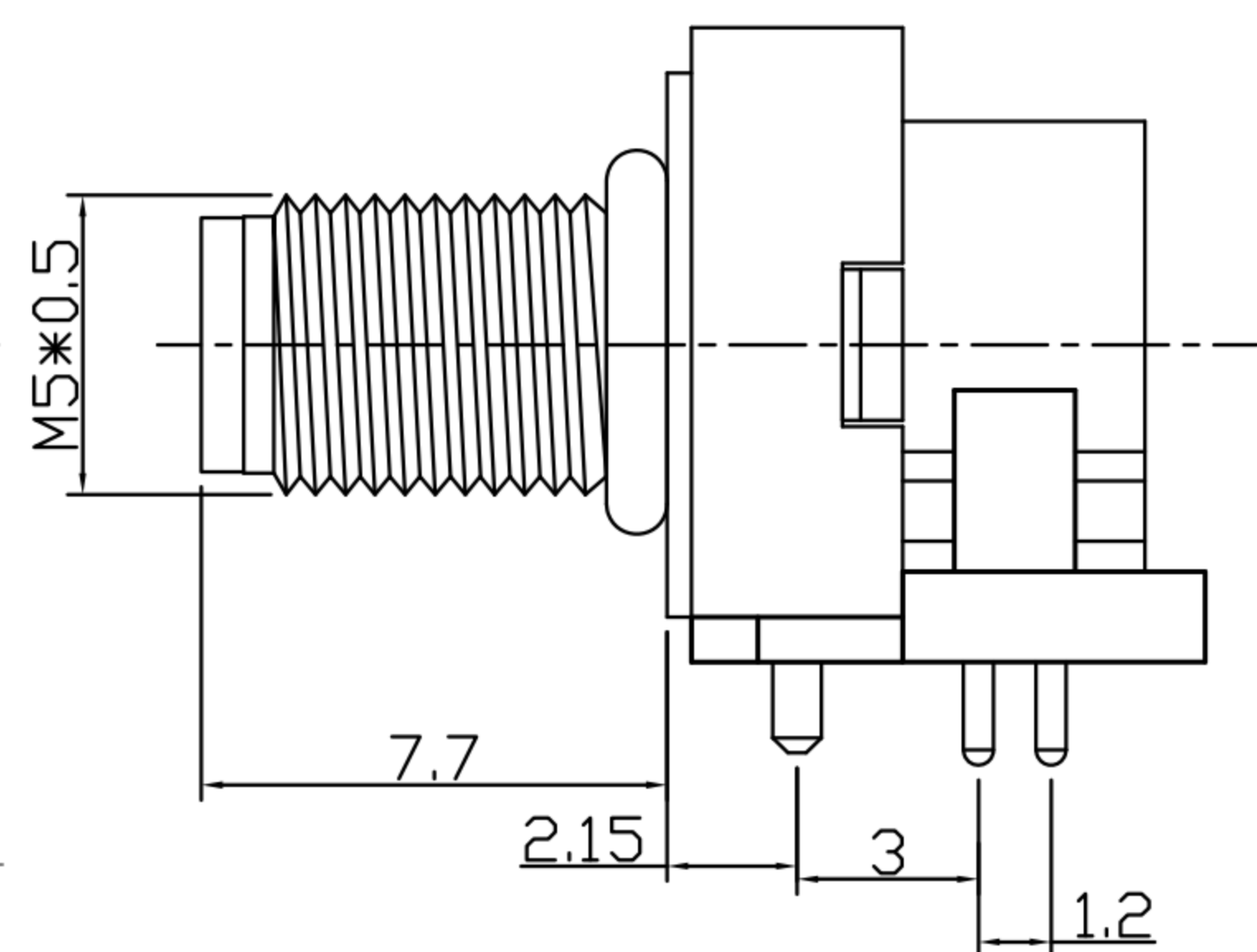
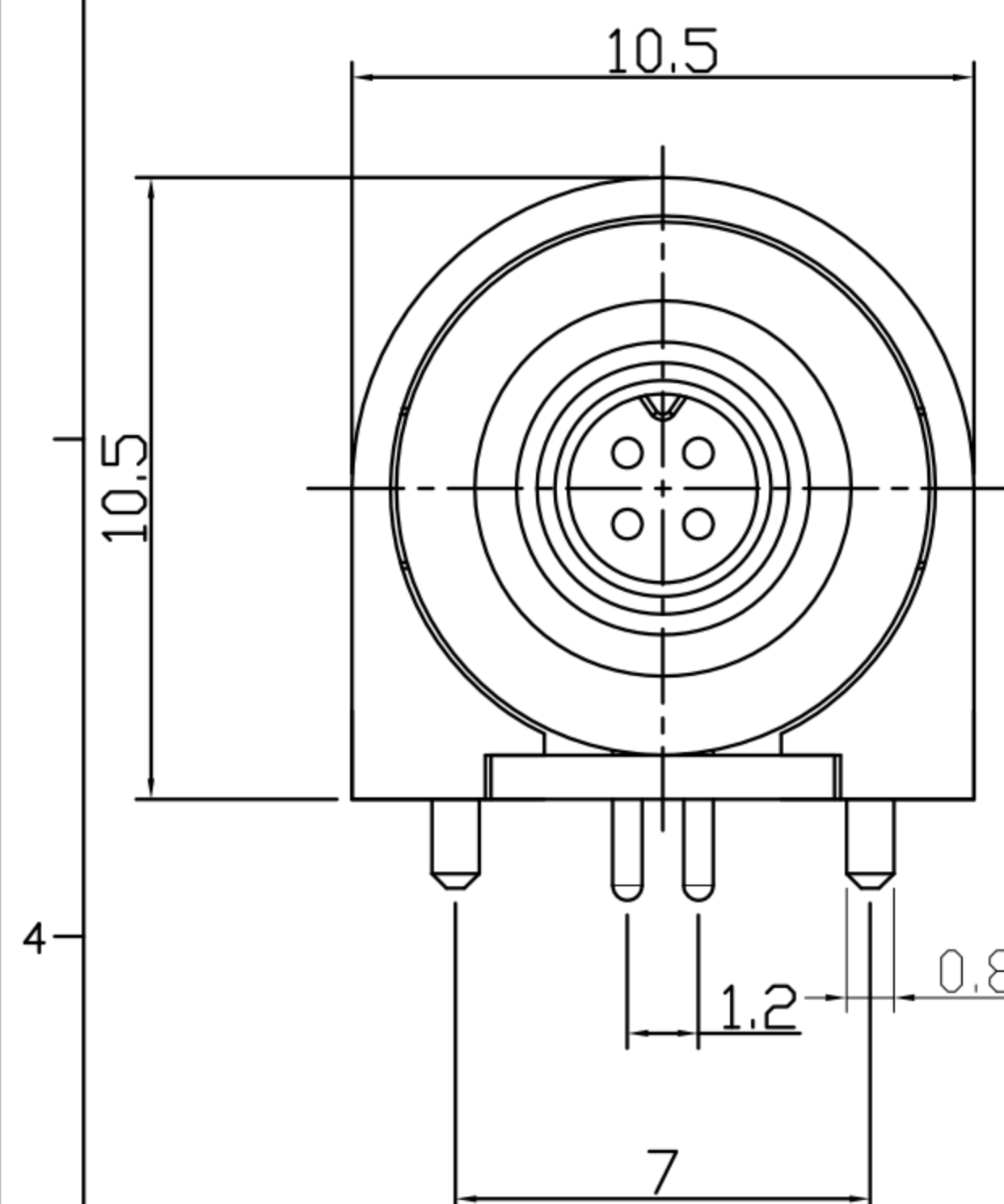


TABLE A

| Diagram | CONTACT        | NUT        |
|---------|----------------|------------|
|         | WP-04M2-144-11 | GOLD FLASH |
|         | WP-04M2-118-11 | GOLD 10u"  |
|         | WP-03M2-61-11  | GOLD 10u"  |
|         | WP-02M2-42-11  | GOLD 10u"  |
|         | WP-04M2-54     | GOLD FLASH |
|         | WP-03M2-46-11  | GOLD FLASH |
|         | WP-02M2-34-11  | GOLD FLASH |
|         | PART NO        |            |