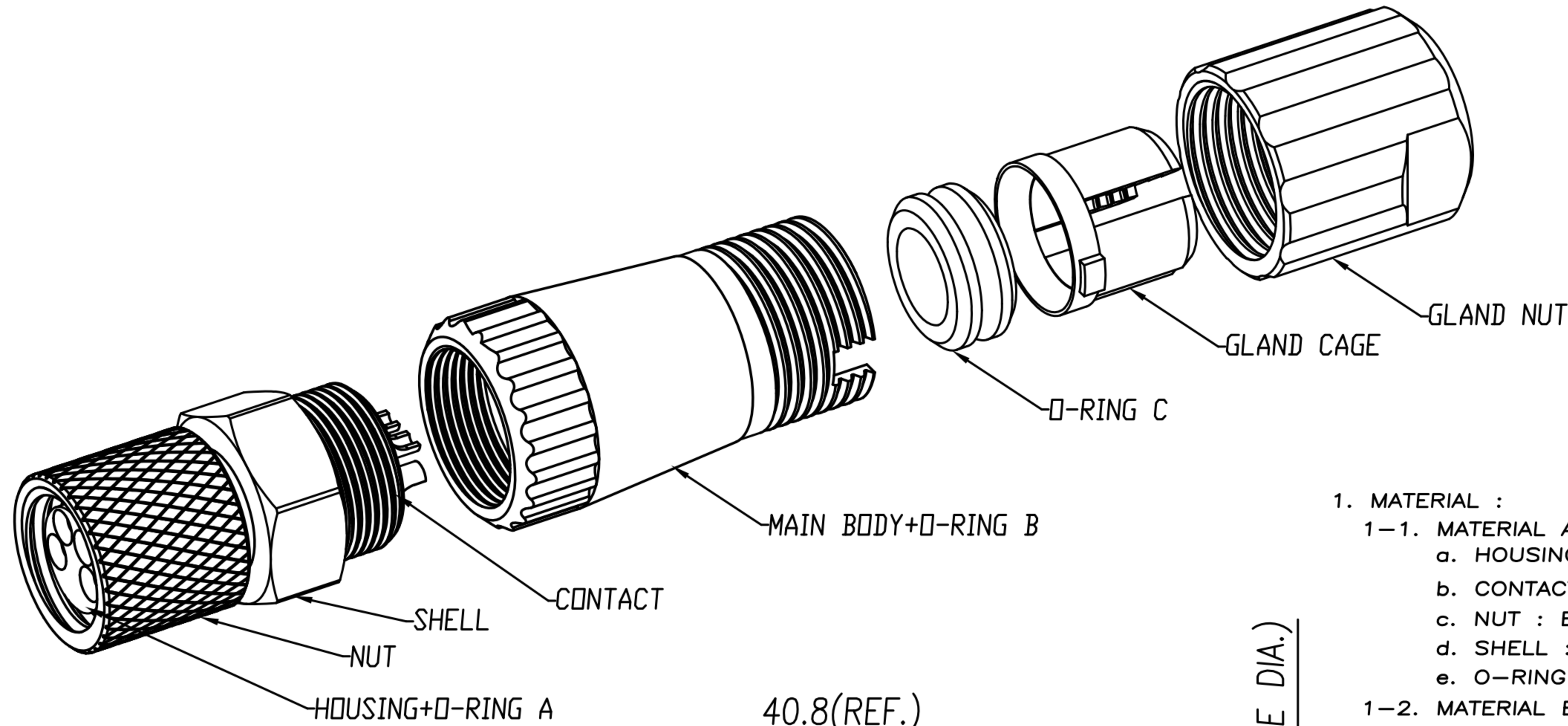


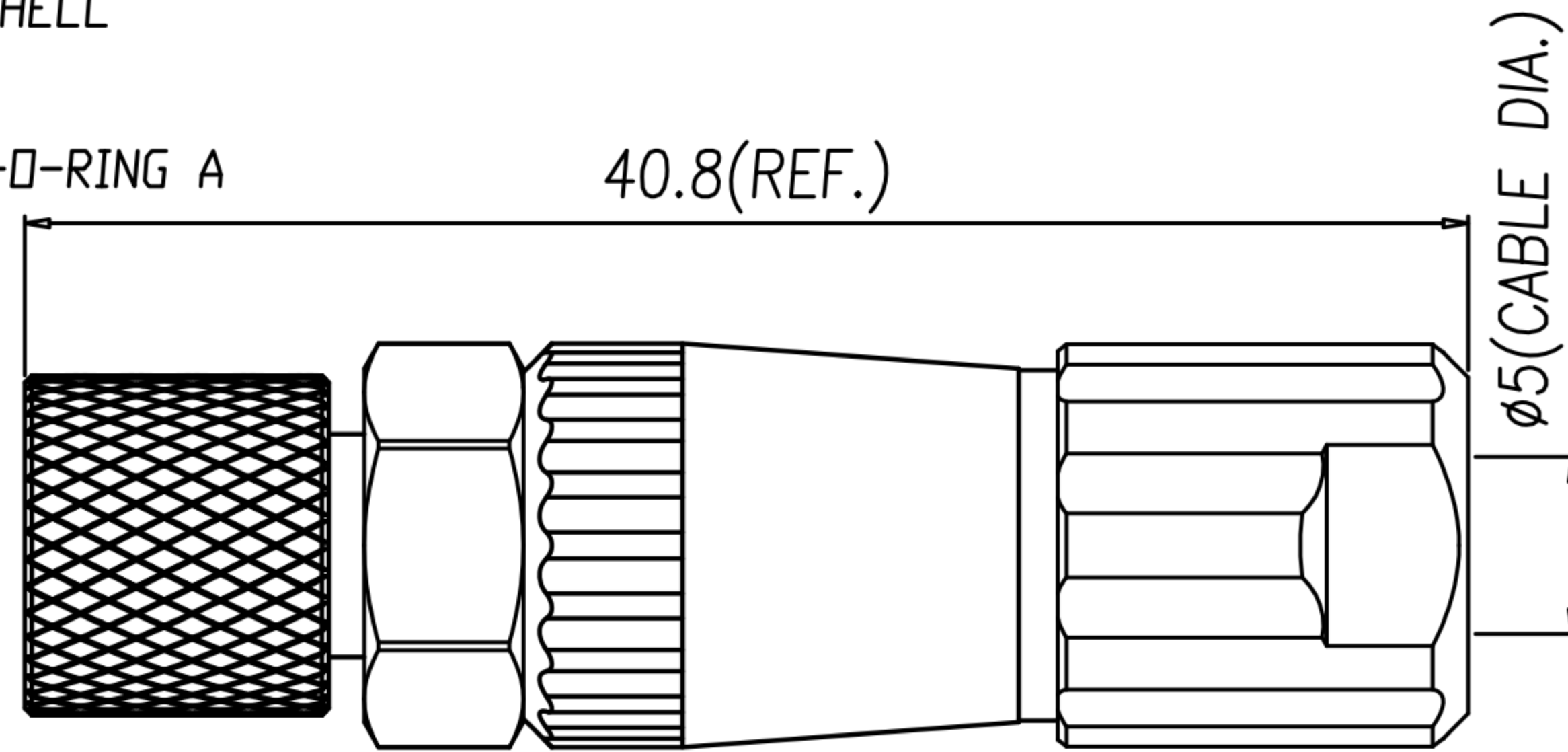
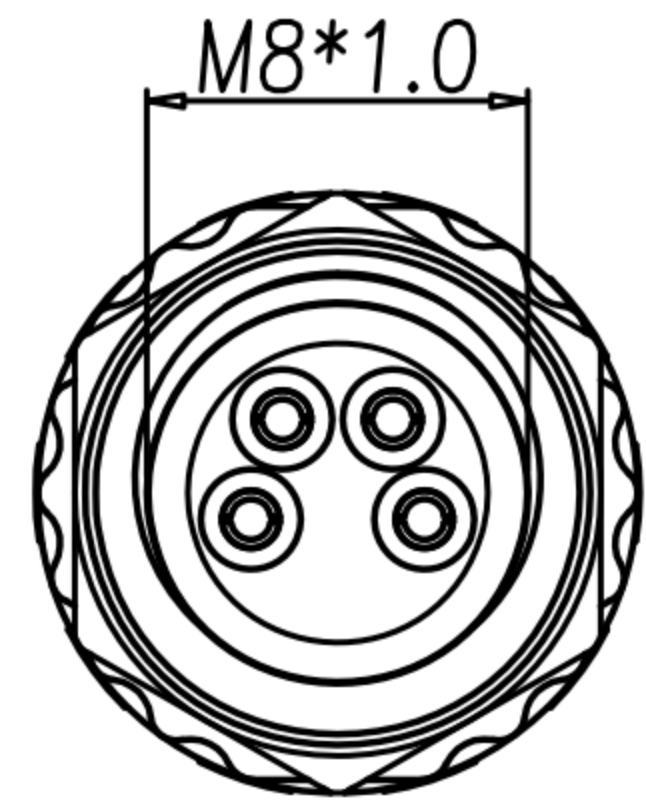
CUSTOMER DRAWING

REV.	DESCRIPTION	APPROVED BY	DATE	ECN NO.
△A	RELEASE	Ku Chou	28/06/23'	
△B				
△C				



WP-04F2-294-11	WP-03F2-173-11	WP-02F2-118-11

- MATERIAL :
 - MATERIAL A
 - HOUSING : PBT UL94V-0 ; COLOR : BLACK.
 - CONTACT : BRASS
 - NUT : BRASS
 - SHELL : BRASS
 - O-RING A : NBR ; COLOR : BLACK
 - MATERIAL B
 - MAIN BODY : PA66 ; COLOR : BLACK
 - O-RING B : EPDM ; COLOR : BLACK
 - O-RING C : NBR COLOR : BLACK.
 - GLAND CAGE : PA66 ; COLOR : WHITE.
 - GLAND NUT : PA66 ; COLOR : BLACK
- FINISH :
 - MATERIAL A
 - CONTACT : GOLD FLASH PLATED.
UNDER PLATE : NICKEL.
 - NUT : NICKEL PLATED.
 - SHELL : NICKEL PLATED.
- ELECTRICAL SPECIFICATION :
 - Rated current : 4A
 - Rated voltage : 60V
 - Water proof : IPX7
- Environmental :
 - Operation Temperature : -20℃~85℃



DRAWN	Emily Suen	APP'D	Ku Chou	UNIT	mm	TOLERANCE		广东科斯达电子科技有限公司 GUANG DONG KE SI DA ELECTRONIC TECHNOLOGY CO., LTD.	TITLE	M8 (F) Assembly type (NUT L=8.6)			SHEET	
CHK'D	Ku Chou			SCALE	1:1	.x ±0.20 .xx ±0.10 .xxx ±0.05 .xxxx ±0.03 ANGULA ±1°			PART NO.	SEE TABLE A	DWG NO.	QC10704	VERSION	