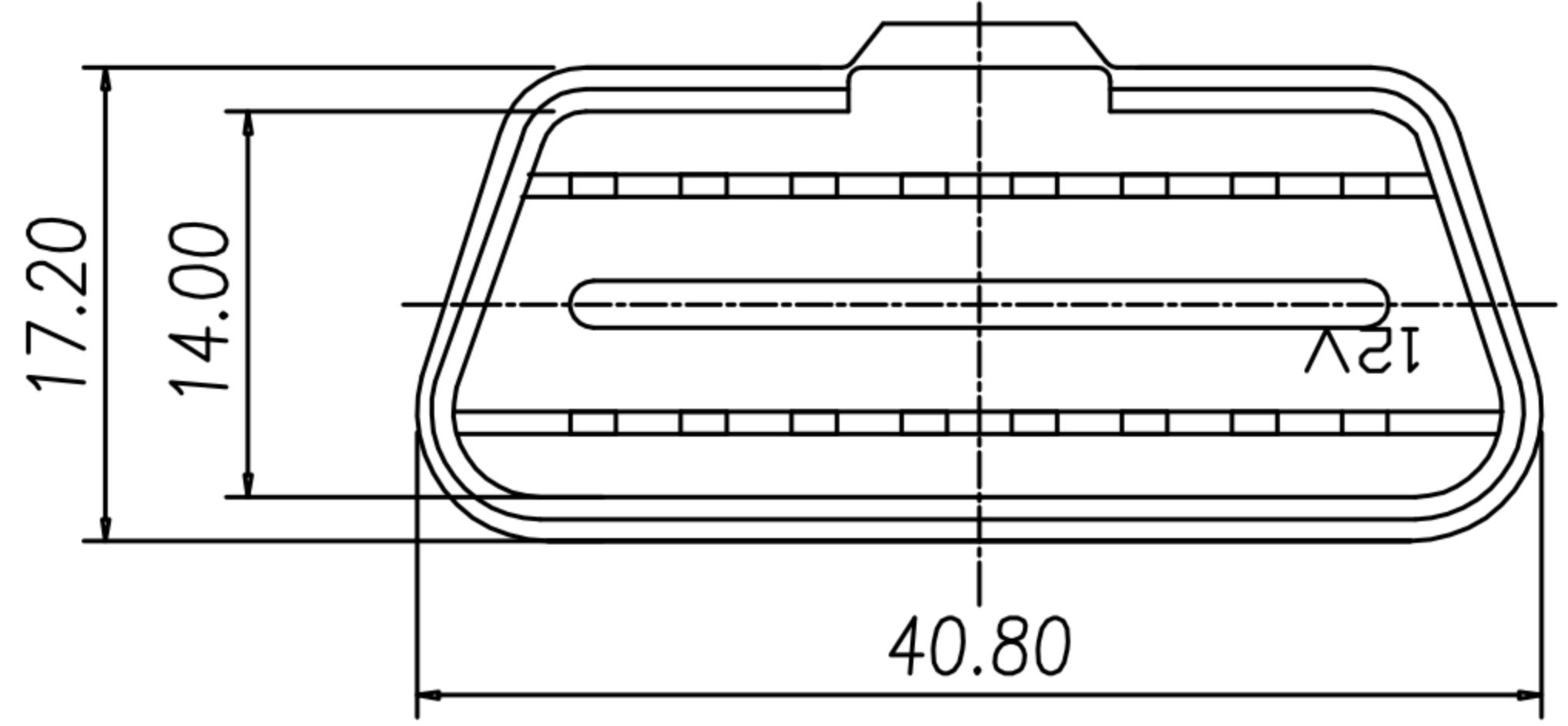
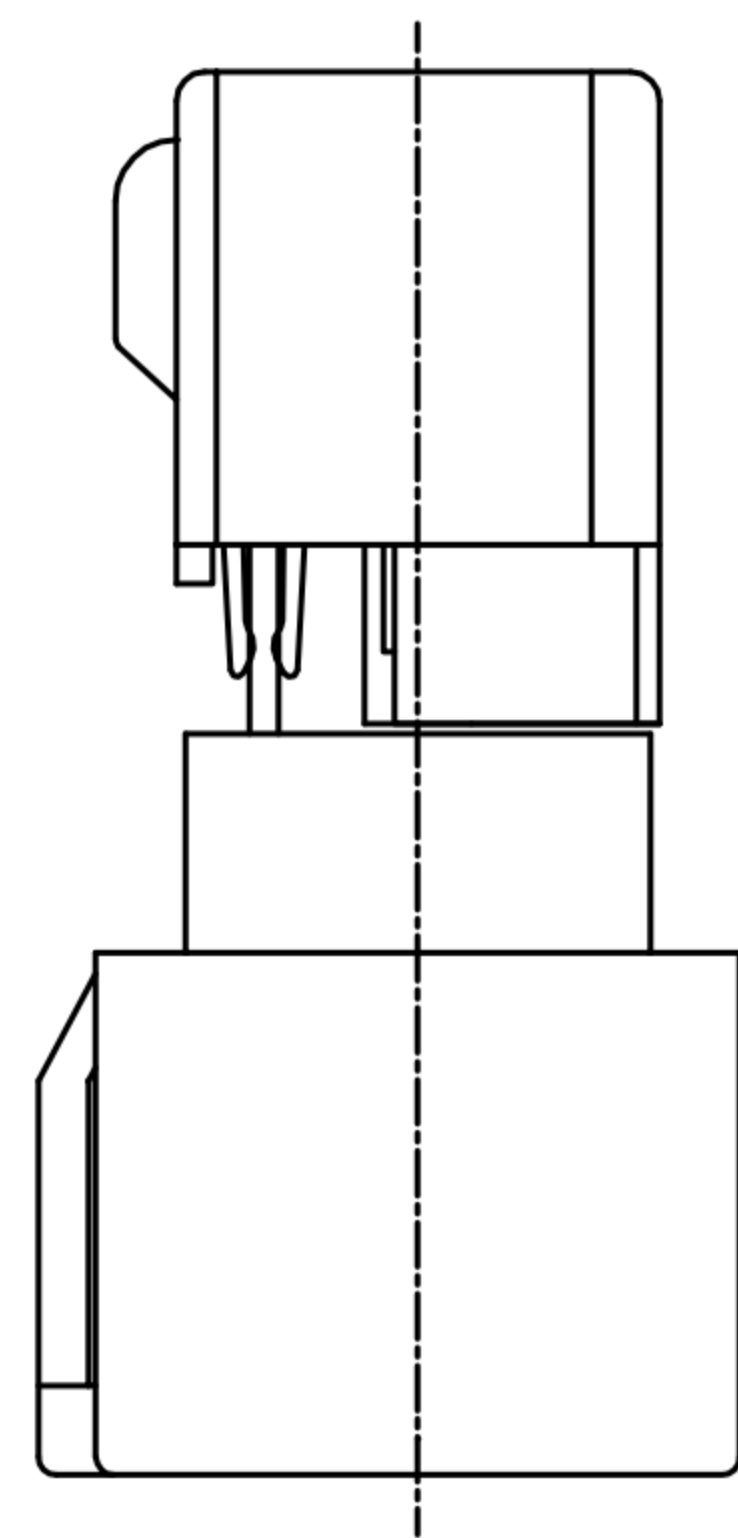
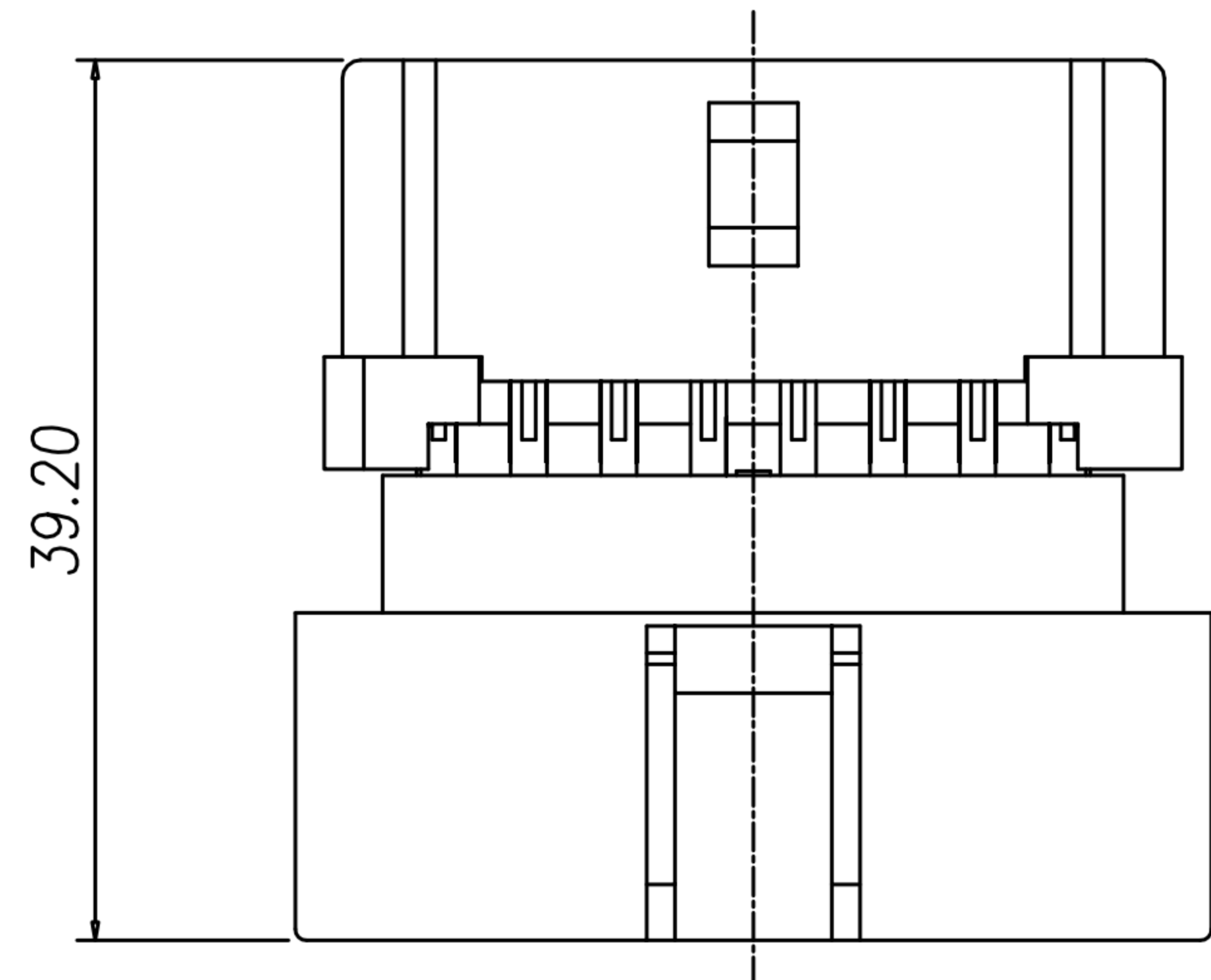
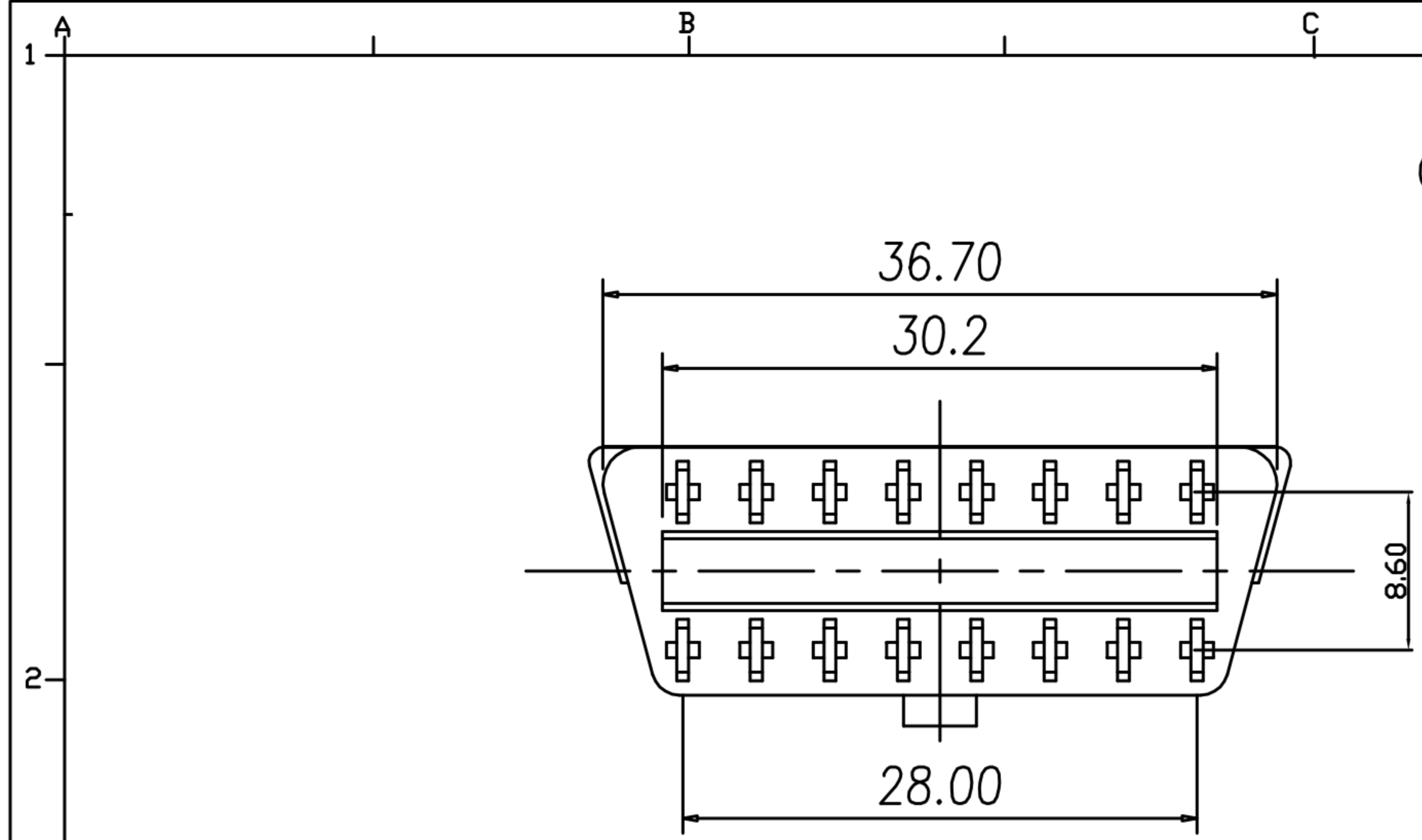


CUSTOMER DRAWING

REV.	DESCRIPTION	APPROVED BY	DATE	ECN NO.
△A	RELEASE	Yeh Chou	2017/12/7	
△B				
△C				
△D				



1. MATERIAL :
  - 1-1. HOUSING : NYLON 66 ; COLOR : BLACK
  - 1-2. CONTACT : BRASS
2. FINISH :
  - 2-1. CONTACT : BRIGHT TIN ON OVER ALL UNDERPLATED NICKEL.
3. ENVIRONMENTAL :
  - 3-1. OPERATION TEMPERATURE : -20℃~85℃

DRAWN	Yeh Chou	APPV'L	UNIT	mm	TOLERANCE		广东科斯达电子科技有限公司 GUANG DONG KE SI DA ELECTRONIC TECHNOLOGY CO., LTD.	TITLE	OBD2 M/F 轉頭			SHEET	1
CHK'D			SCALE	1:1	.x ±0.20 .xx ±0.10 .xxx ±0.05 .xxxx ±0.03 ANGULA ±1°			PART NO.	OBD2-16M1-65-01	DWG NO.	QC8127	VERSION	A