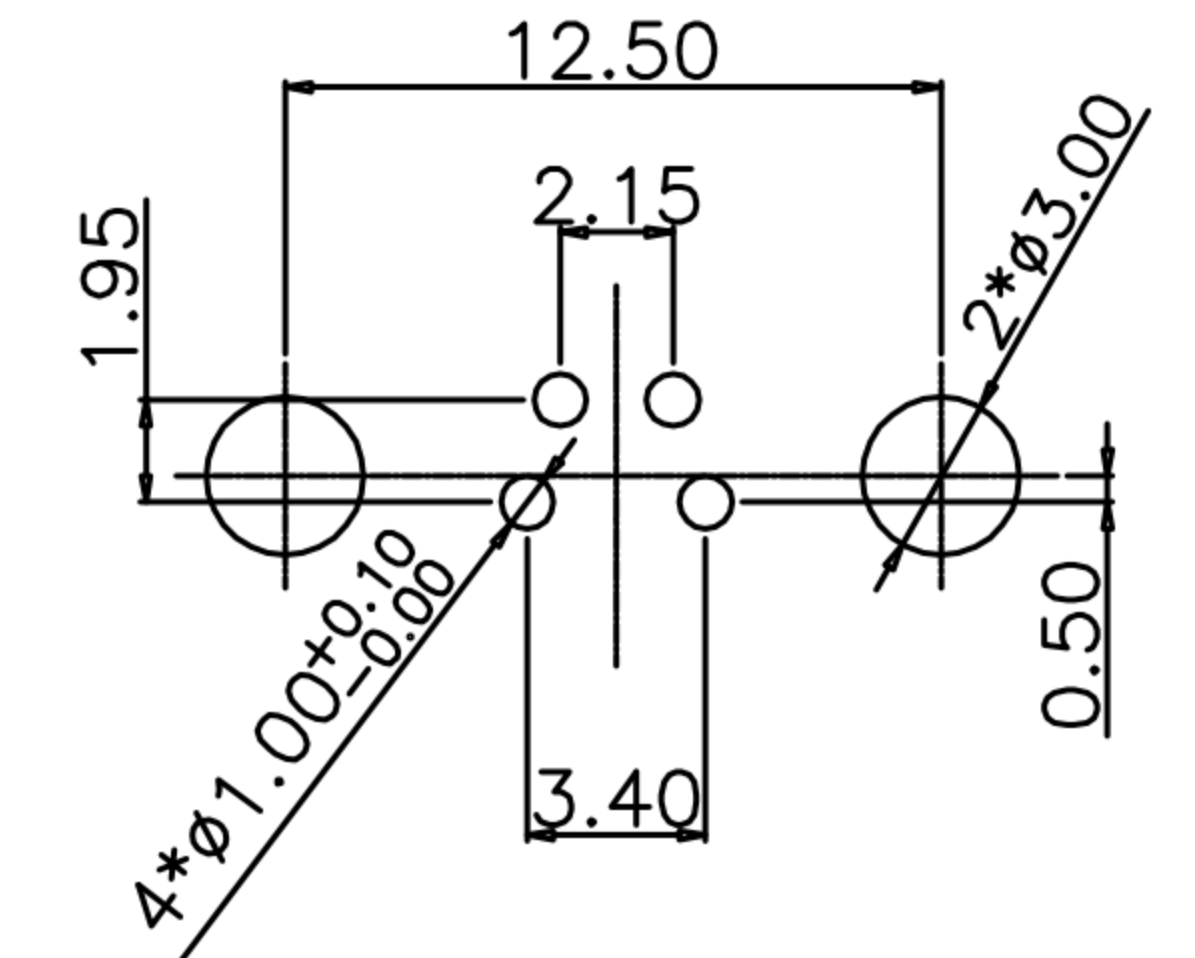
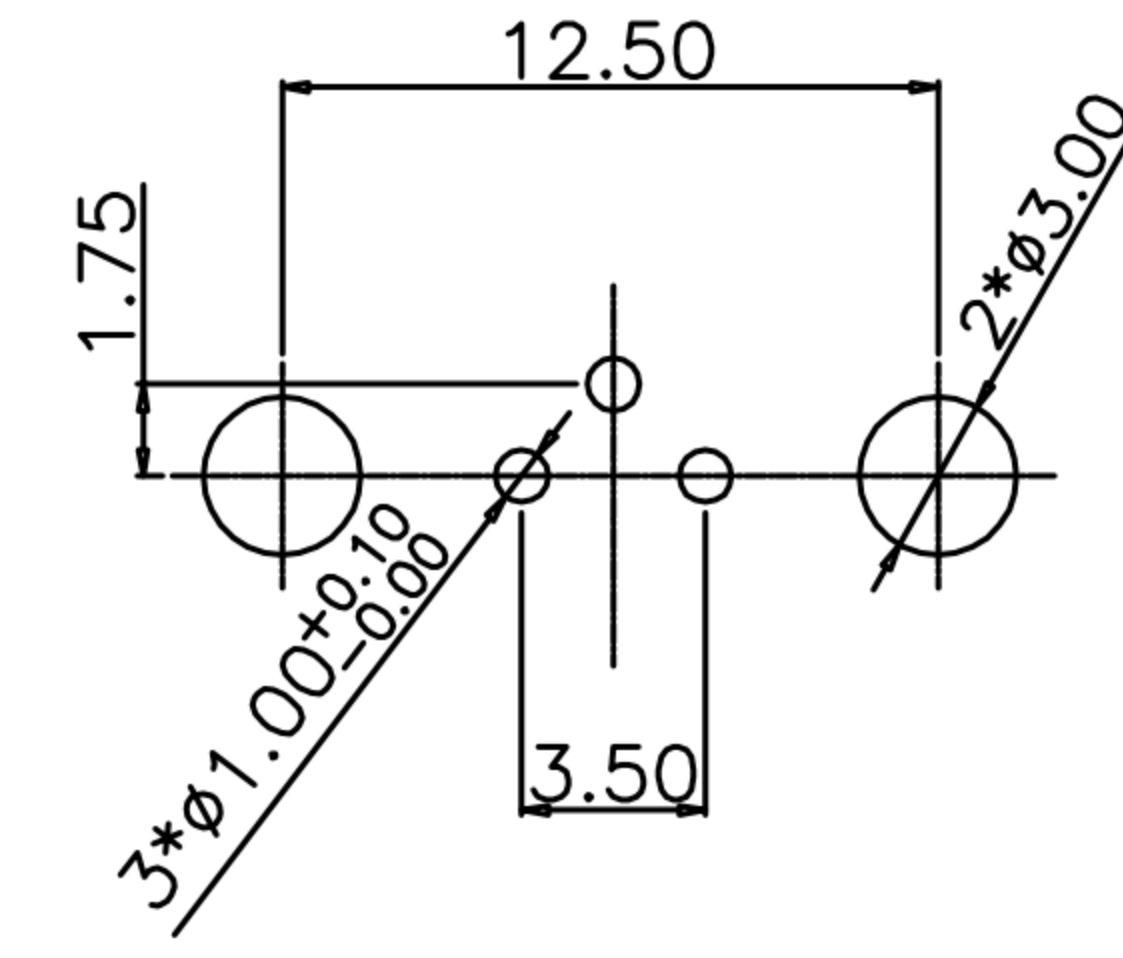
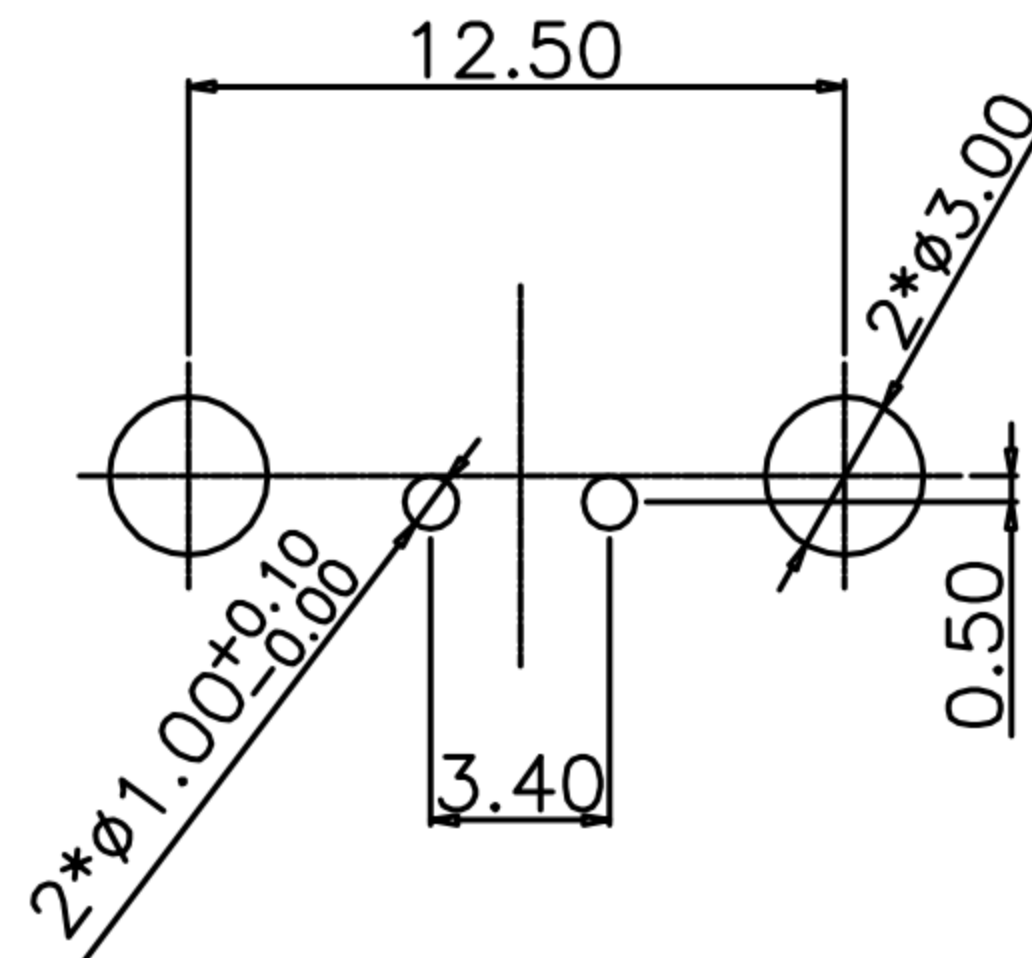
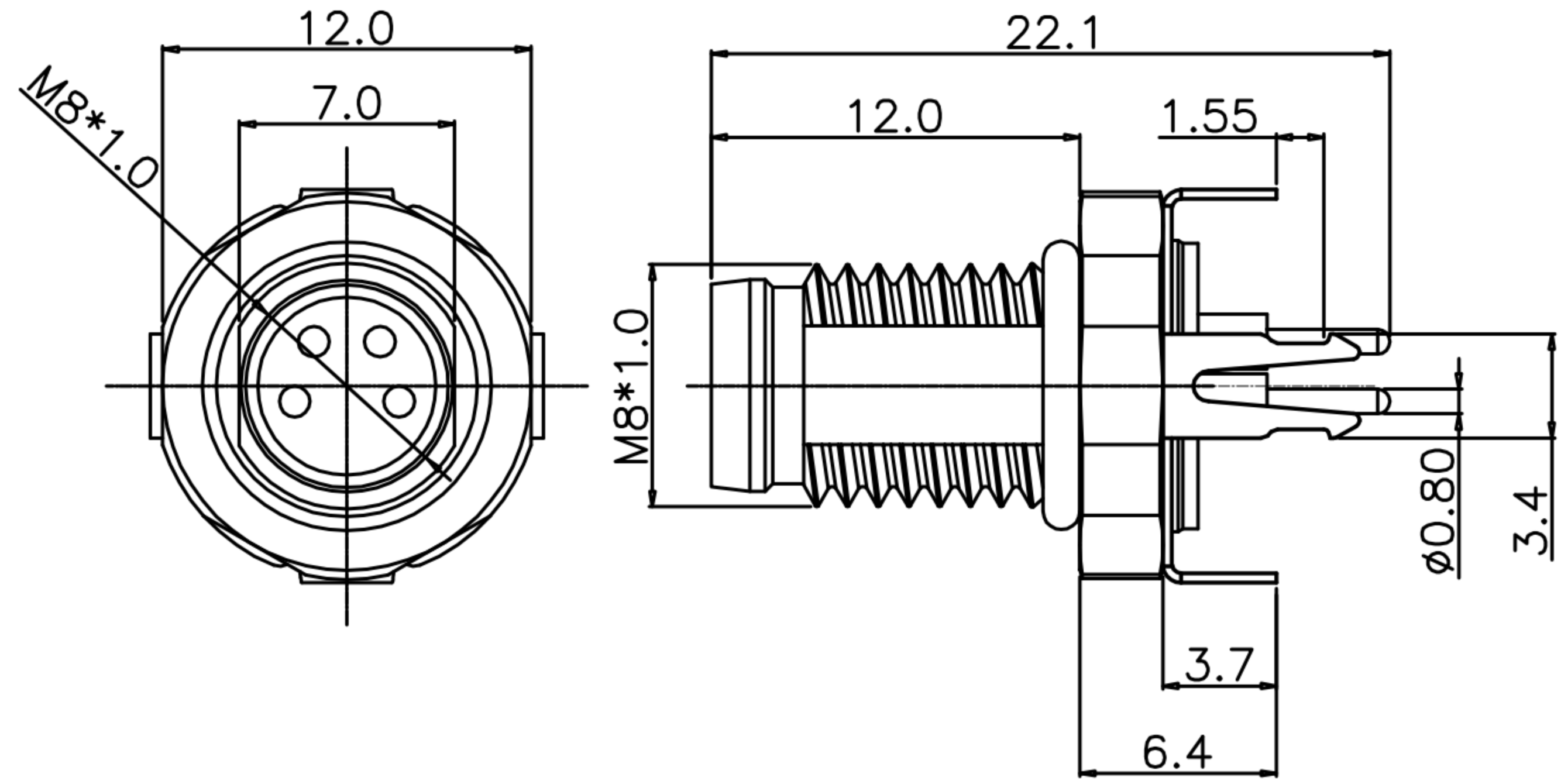
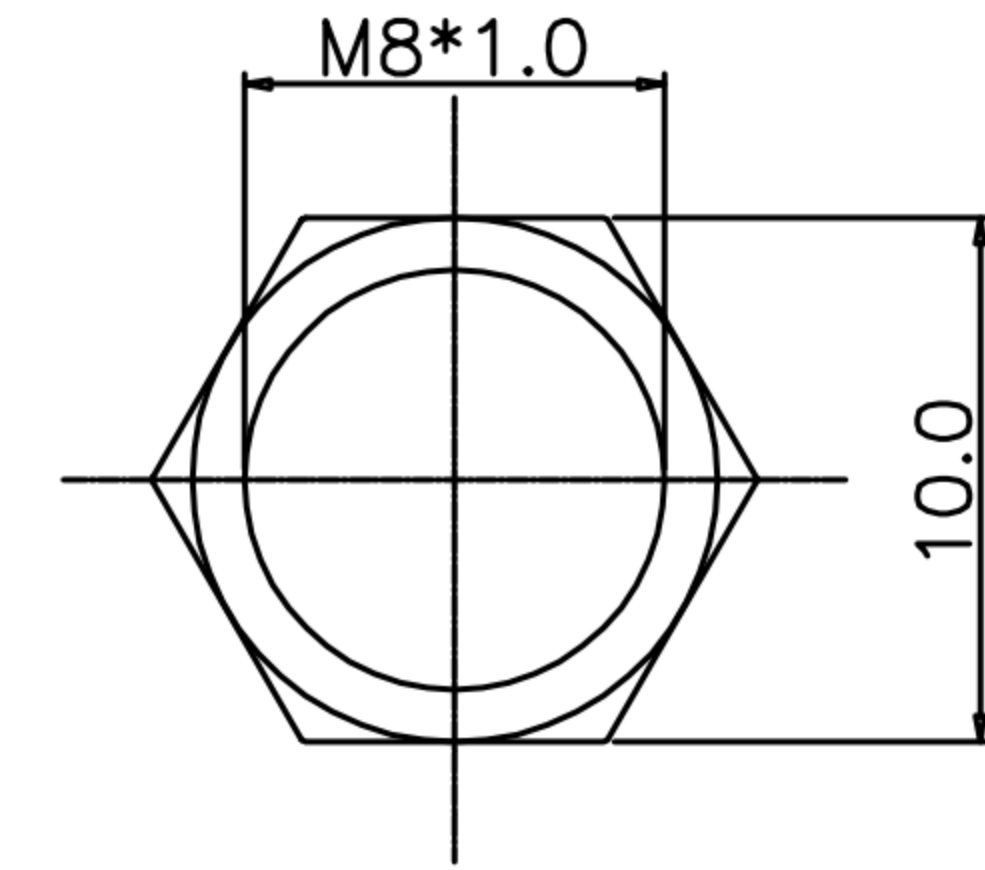
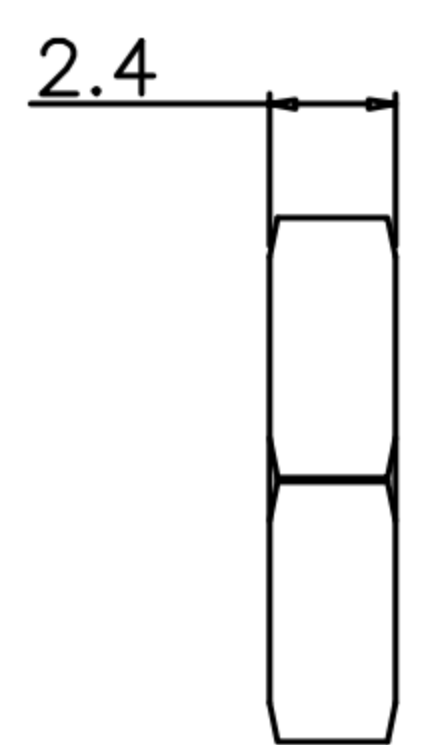


CUSTOMER DRAWING

REV.	DESCRIPTION	APPROVED BY	DATE	ECN NO.
△A	RELEASE	Yeh Chou	16/08/23'	
△B				
△C				



RECOMMEND P.C.B LAYOUT



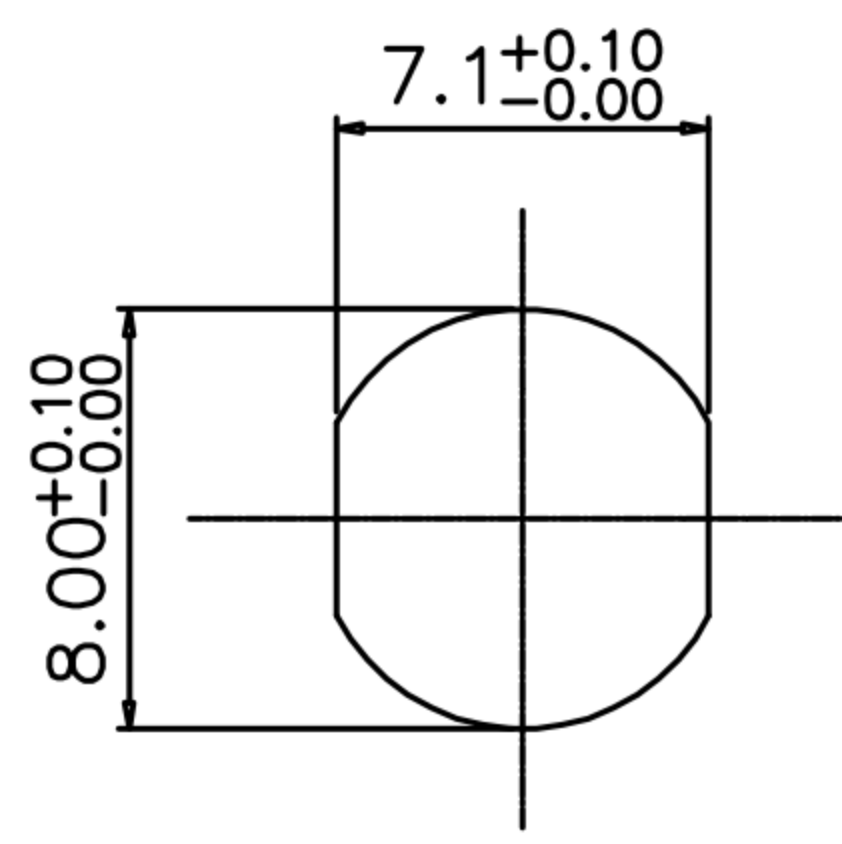
NUT

- MATERIAL :
  - 1-1. HOUSING : PA66 UL94V-0 ; COLOR : BLACK
  - 1-2. CONTACT : BRASS.
  - 1-3. NUT : BRASS.
  - 1-4. SHELL : BRASS.
  - 1-5. O-RING : NBR
  - 1-6. GROUND : PHOSPHOR BRONZE

- FINISH :
  - 2-1. CONTACT : GOLD FLASH PLATED
  - UNDER PLATE : NICKEL
  - 2-2. NUT : NICKEL PLATED
  - 2-3. SHELL : NICKEL PLATED
  - 2-4. GROUND : NICKEL PLATED

- ELECTRICAL SPECIFICATION :
  - 3-1. Rated current : 4A
  - 3-2. Rated Voltage : 60V
  - 3-3. Water proof : IP67

- Environmental :
  - 4-1. Operation Temperature : -40℃~85℃



RECOMMEND PANEL CUT-OUT

TABLE A

2PIN	3PIN	4PIN
WP-02M3-13-11	WP-03M3-13-11	WP-04M3-23-11

PIN ASSIGNMENTS FRONT VIEW

DRAWN	Mark Kao	APP'D	Ku Chou	UNIT	mm	TOLERANCE		广东科斯达电子科技有限公司 GUANG DONG KE SI DA ELECTRONIC TECHNOLOGY CO., LTD.	TITLE	Waterproof M8 (M) 前鎖M8*1.0插板式(帶接地)			SHEET	1 A
CHK'D	Ku Chou			SCALE	1:1	.x ±0.20 .xx ±0.10 .xxx ±0.05 .xxxx ±0.03 ANGULA ±1°			PART NO.	SEE TABLE A	DWG NO.	QC10897	VERSION	