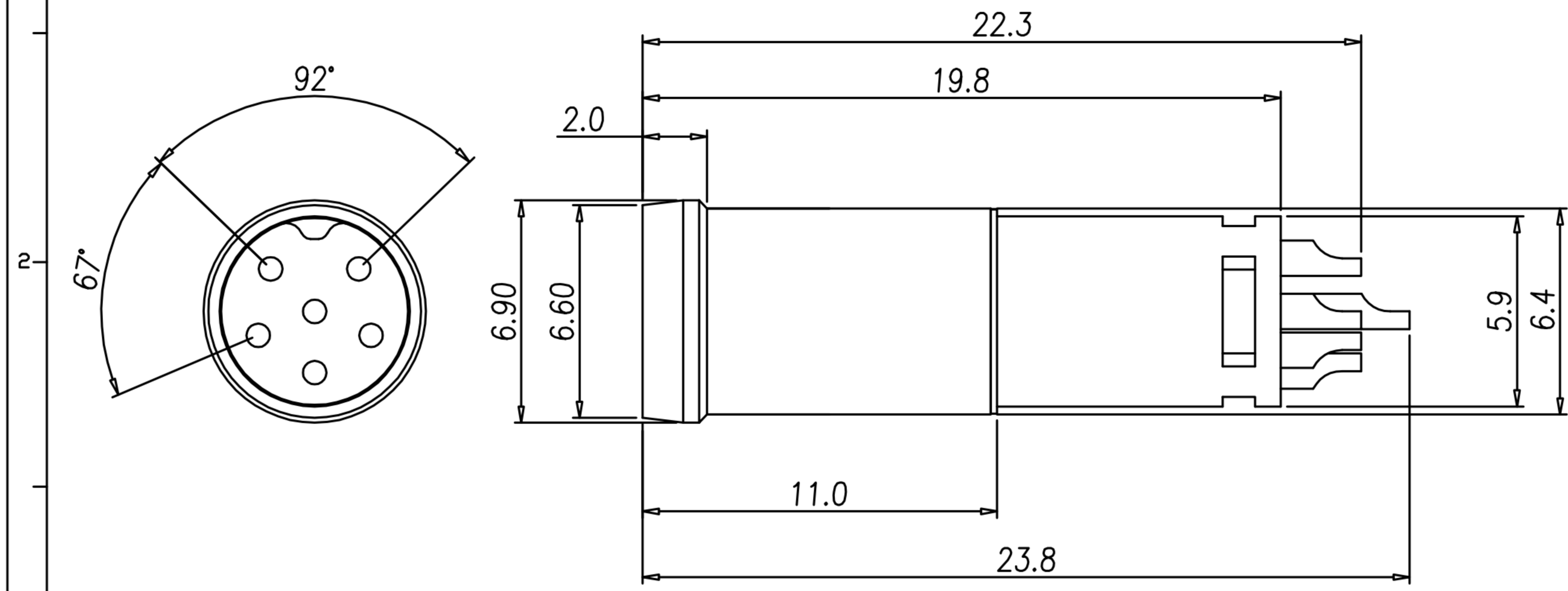
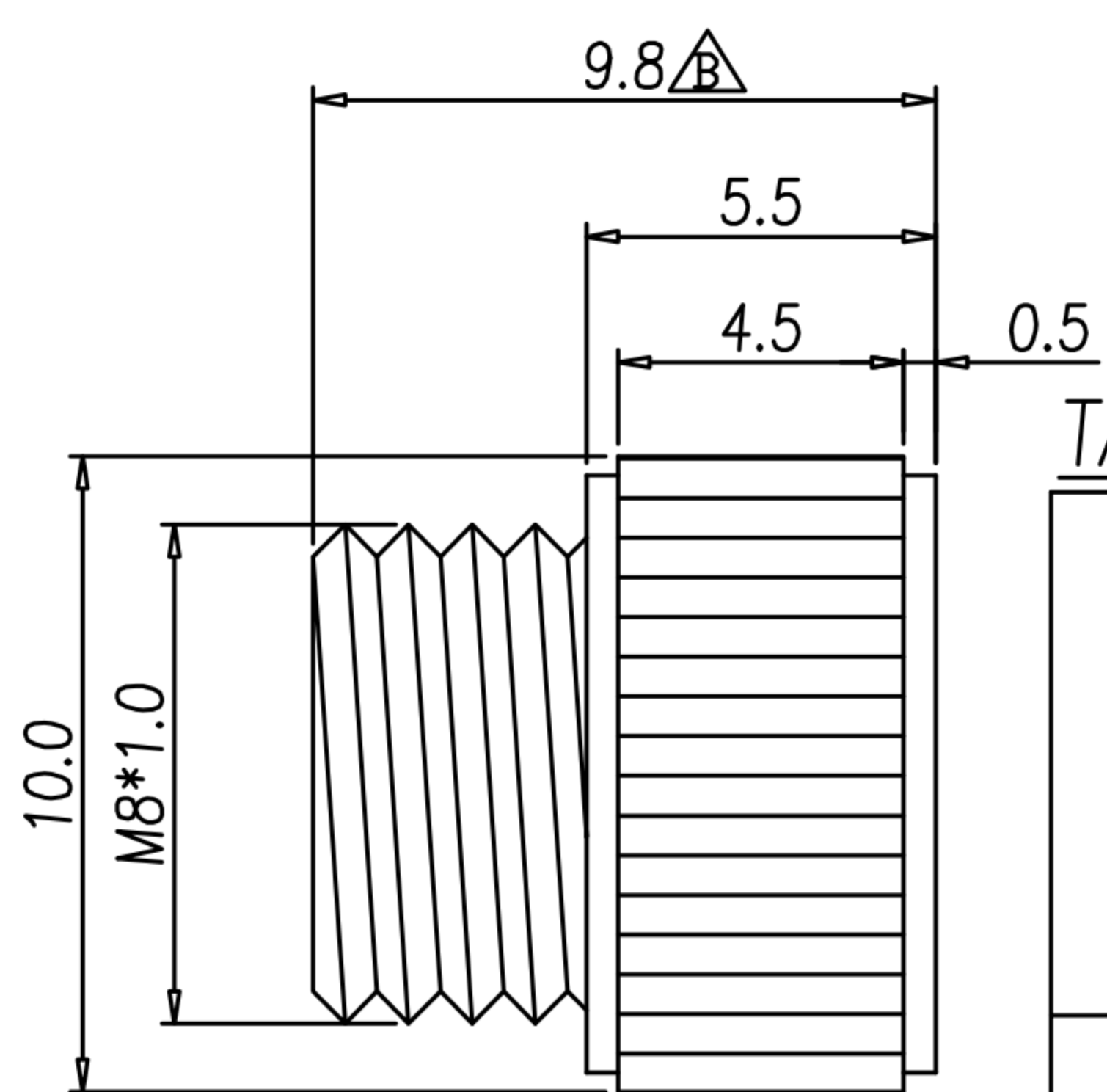
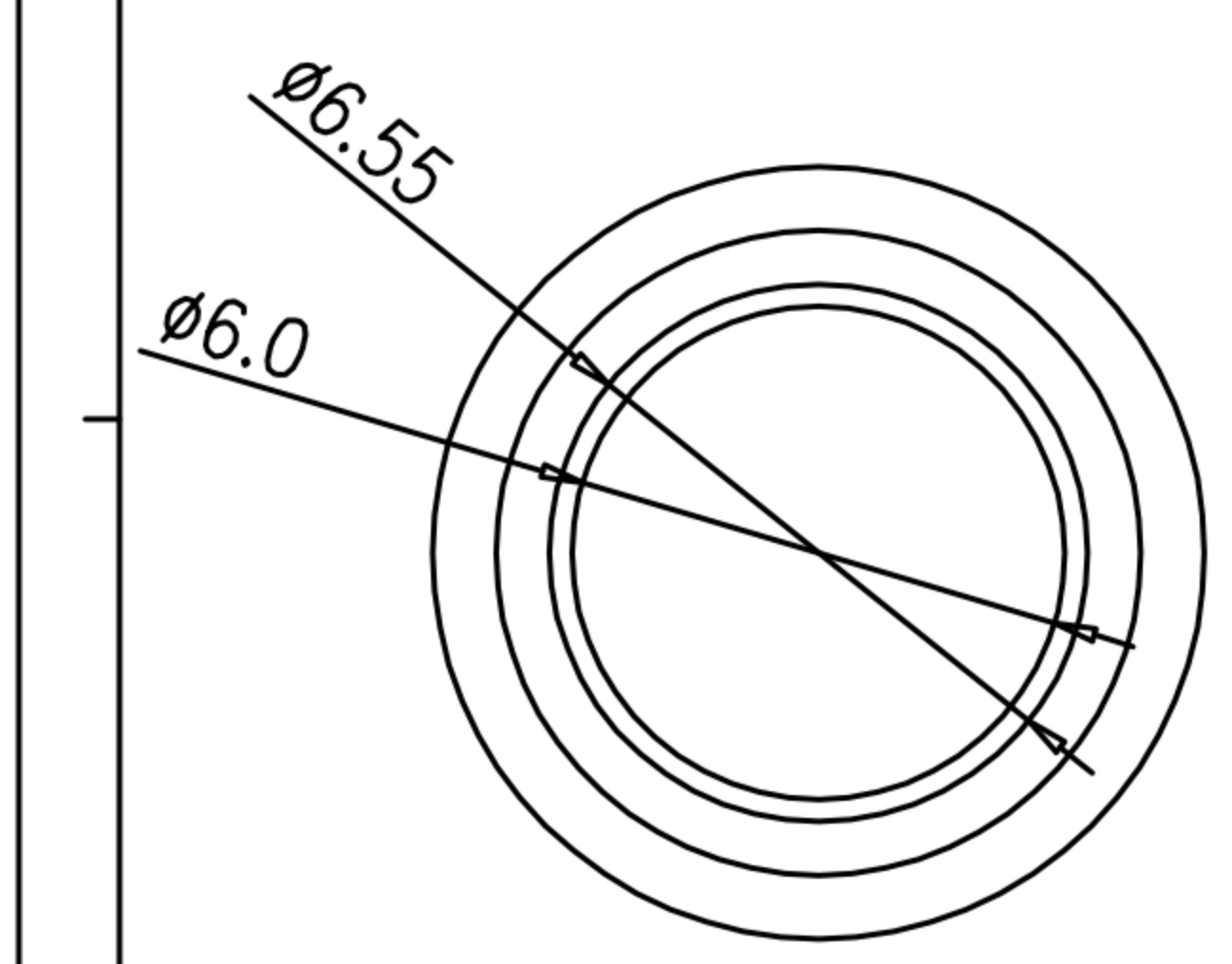


CUSTOMER DRAWING

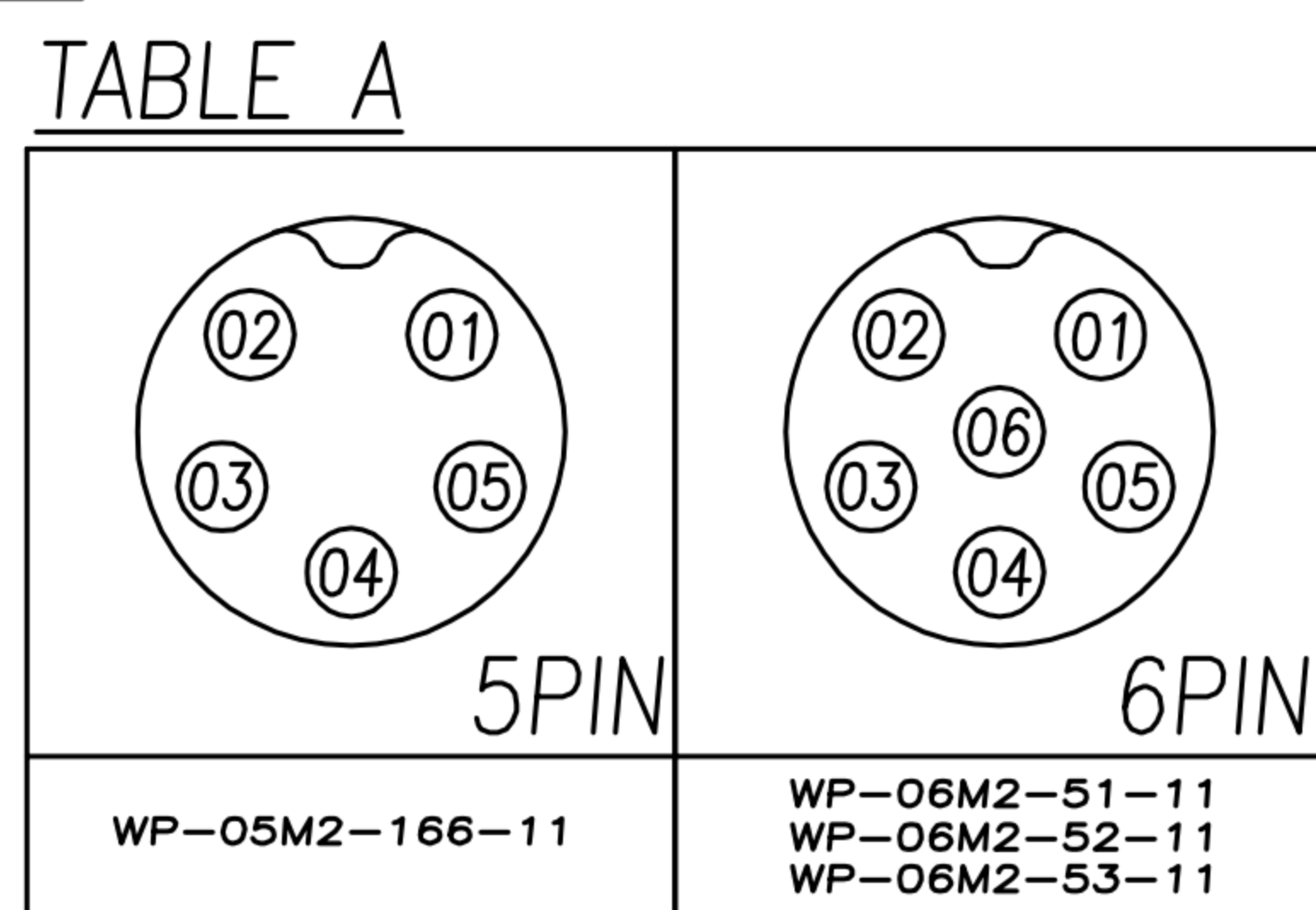
REV.	DESCRIPTION	APPVL. BY	DATE	ECN NO.
A	RELEASE	Fido	16/05/17'	
B	尺寸設變	Fido	16/11/17'	
C				



- NOTE
- MATERIAL :
 - 1-1. HOUSING : PA66 UL94V-0 ; COLOR : BLACK
 - 1-2. CONTACT : BRASS.
 - 1-3. NUT : SEE TABLE A
 - 1-4. SHELL : SEE TABLE A
 - FINISH :
 - 2-1. CONTACT : GOLD 10 MICRO INCHES MIN.
 - 2-2. SHELL : SEE TABLE A
 - 2-3. NUT : SEE TABLE A
 - ELECTRICAL SPECIFICATION :
 - 3-1. Rated current : 2A
 - 3-2. Rated Voltage : 30V
 - 3-3. Water proof : IP67
 - Environmental :
 - 4-1. Operation Temperature : -40℃~105℃



NUT



WP-05M2-166-11	WP-06M2-51-11 WP-06M2-52-11 WP-06M2-53-11			
WP-05M2-166-11	BRASS	NICKEL PLATED.	BRASS	NICKEL PLATED.
WP-06M2-51-11	Stainless steel 316	-	Stainless steel 316	-
WP-06M2-52-11	BRASS	NICKEL PLATED.	BRASS	NICKEL PLATED.
WP-06M2-53-11	Stainless steel 316	-	BRASS	NICKEL PLATED.
P/N	MATERIAL(NUT)	PLATED(NUT)	MATERIAL(SHELL)	PLATED(SHELL)

