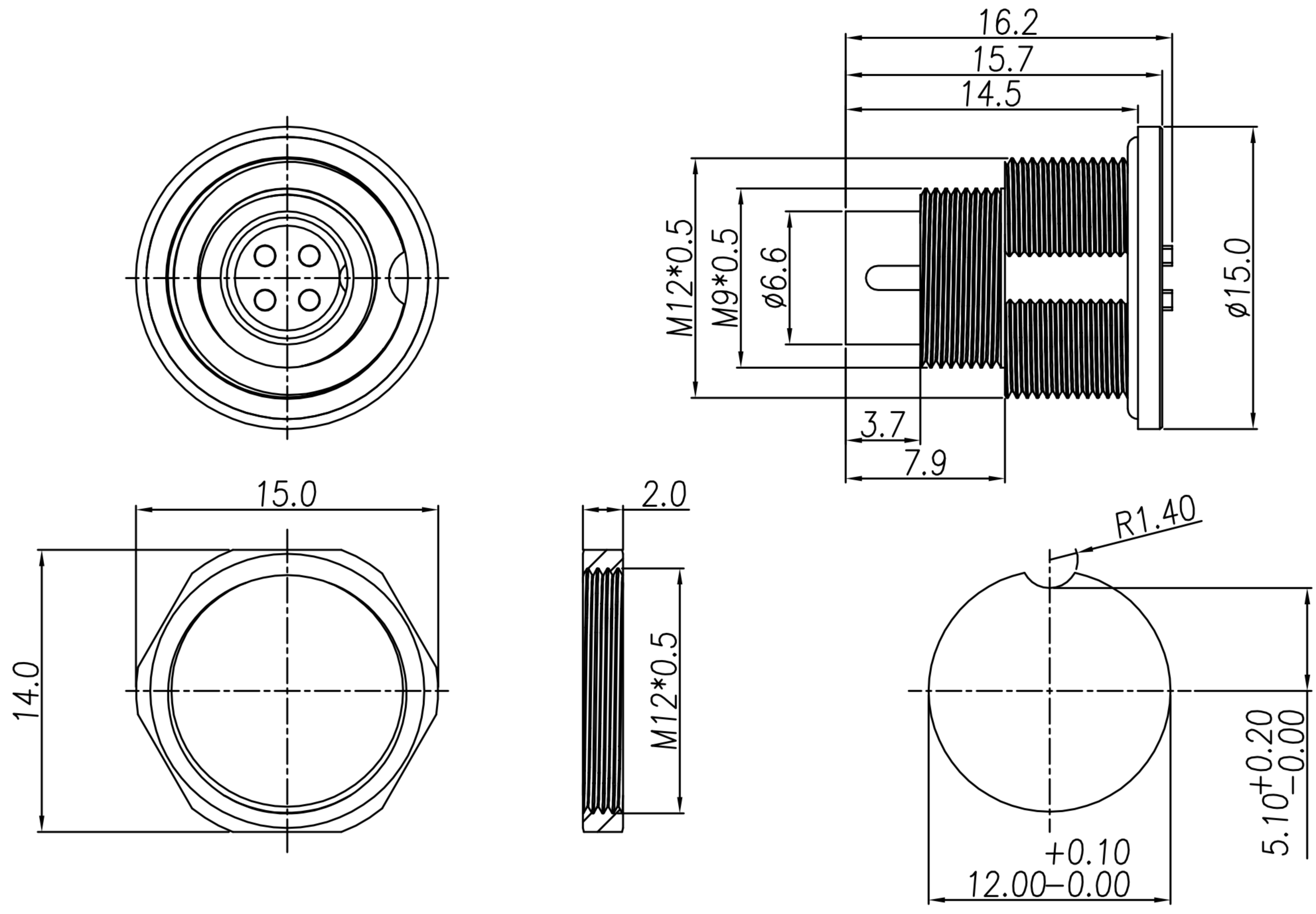


A		B		C		D		E		F					
1	CUSTOMER DRAWING										REV.	DESCRIPTION	APPVL. BY	DATE	ECN NO.
											△A	RELEASE	LED	18/07/22'	
											△B				
											△C				



NUT

RECOMMEND PANEL CUT-OUT

- MATERIAL :
 - HOUSING : PA UL94V-0 ; COLOR : BLACK
 - CONTACT : BRASS.
 - SHELL : BRASS.
 - O-RING : EPDM ; COLOR : BLACK.
 - NUT : BRASS
- FINISH :
 - CONTACT : GOLD FLASH
 - SHELL : NICKEL PLTAEED.
 - NUT : NICKEL PLTAEED.
- ELECTRICAL SPECIFICATION :
 - Rated current(40°C) : 2~3P 4A; 4~5P 3A; 7~8P 1A
 - Rated Voltage : 125V
 - Water proof : IP67
- Environmental :
 - Operation Temperature : -40°C~85°C

WP-02M2-87-11	WP-03M2-141-11	WP-04M2-238-11	WP-05M2-205-11	WP-07M2-26-11	WP-08M2-128-11

DRAWN	LED	APP'D	Ku Chou	UNIT	mm	TOLERANCE		广东科斯达电子科技有限公司 GUANG DONG KE SI DA ELECTRONIC TECHNOLOGY CO., LTD.	TITLE	WP M9 (M) M12 前鎖母線式			SHEET	1
CHK'D	Ku Chou			SCALE	1:1	.x ±0.20 .xx ±0.10 .xxx ±0.05 .xxxx ±0.03 ANGULA ±1°			PART NO.	SEE TABLE A	DWG NO.	QC10463	VERSION	A