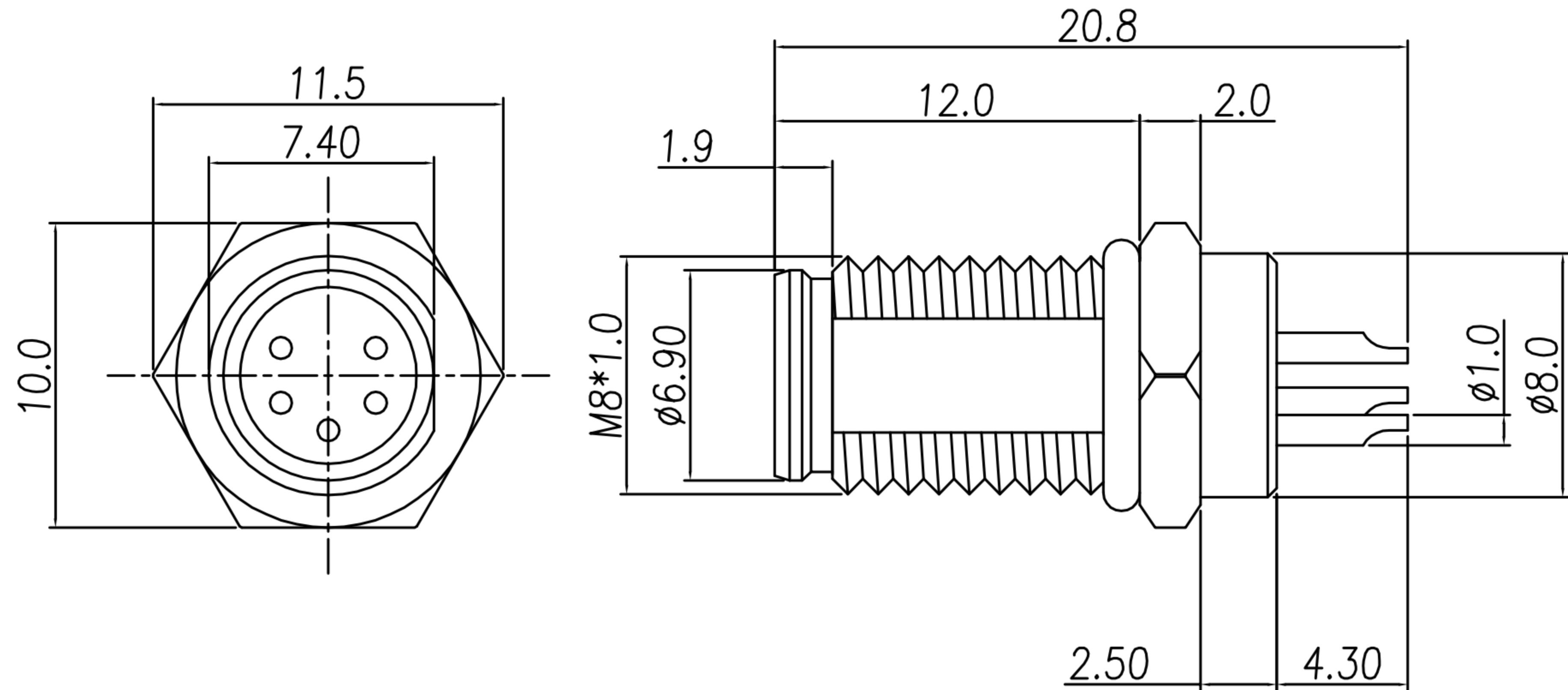


CUSTOMER DRAWING

| REV. | DESCRIPTION | APPROVED BY | DATE | ECN NO. |
|------|--------------|-------------|-----------|---------|
| A | RELEASE | Emily Suen | 26/04/17* | |
| B | ADD PART NO. | Emily Suen | 13/03/18* | |
| C | ADD PART NO. | Emily Suen | 03/05/18* | |



- MATERIAL :
 - 1-1. HOUSING : PBT ; COLOR : BLACK
 - 1-2. CONTACT : BRASS.
 - 1-3. SHELL : BRASS
 - 1-4. O-RING : NBR ; COLOR : BLACK
 - 1-5. NUT : BRASS.
- FINISH :
 - 2-1. CONTACT : SEE TABLE A
 - 2-2. SHELL : NICKEL PLATED.
 - 2-3. NUT : NICKEL PLATED.
- ELECTRICAL SPECIFICATION :
 - 3-1. Rated current : 2A
 - 3-2. Rated voltage : 30V
 - 3-3. Water proof : IP67
- Environmental :
 - 4-1. Operation Temperature : -40°C~105°C

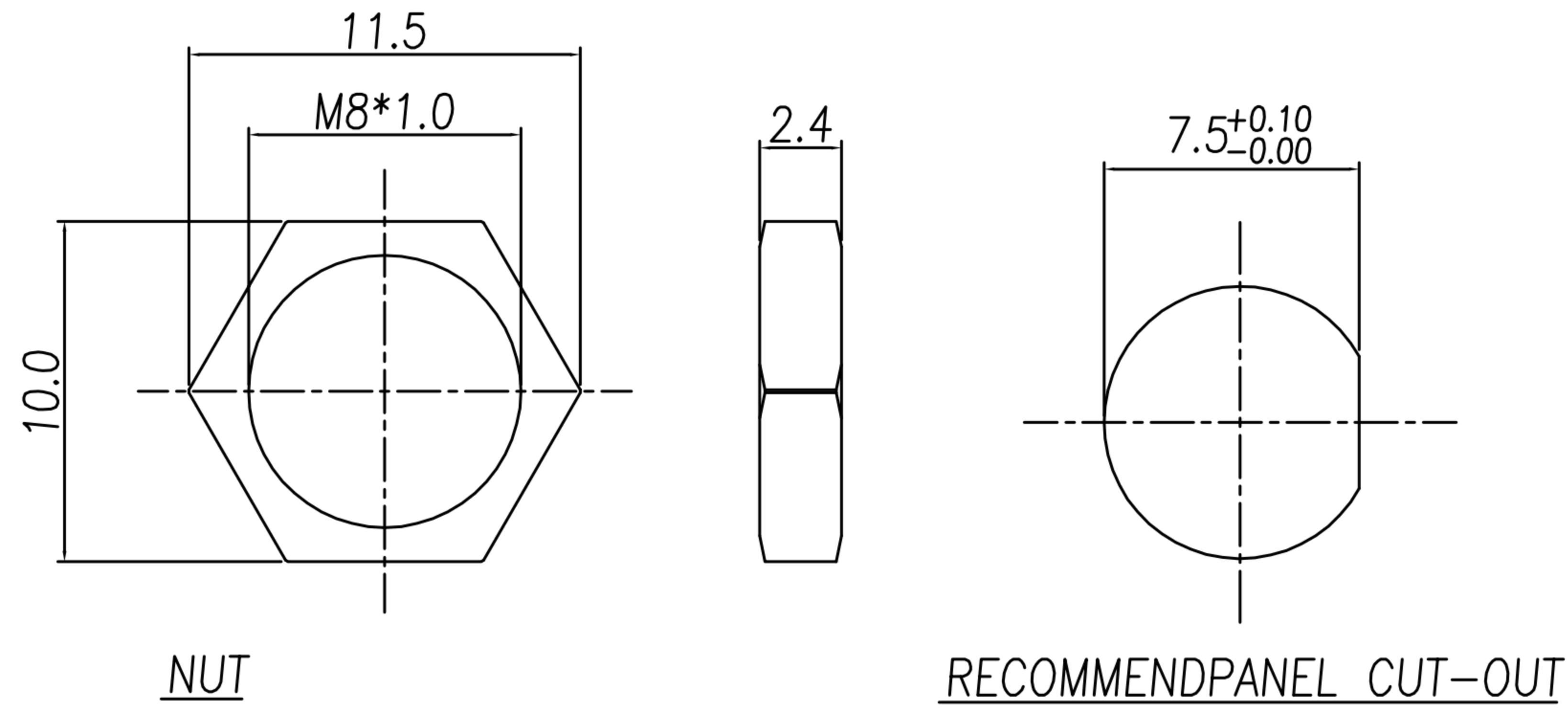


TABLE A

| PART No. | FINISH |
|----------------------------------|---------------------------|
| WP-05M2-123-11 WP-05M2-115-11 | 10u" GOLD PLATED / 鍍金10u" |
| WP-06M2-61-11 | 10u" GOLD PLATED / 鍍金10u" |
| WP-05M2-123-11 | GOLD FLASH PLATED / 鍍表金 |
| WP-05M2-115-11 | 10u" GOLD PLATED / 鍍金10u" |