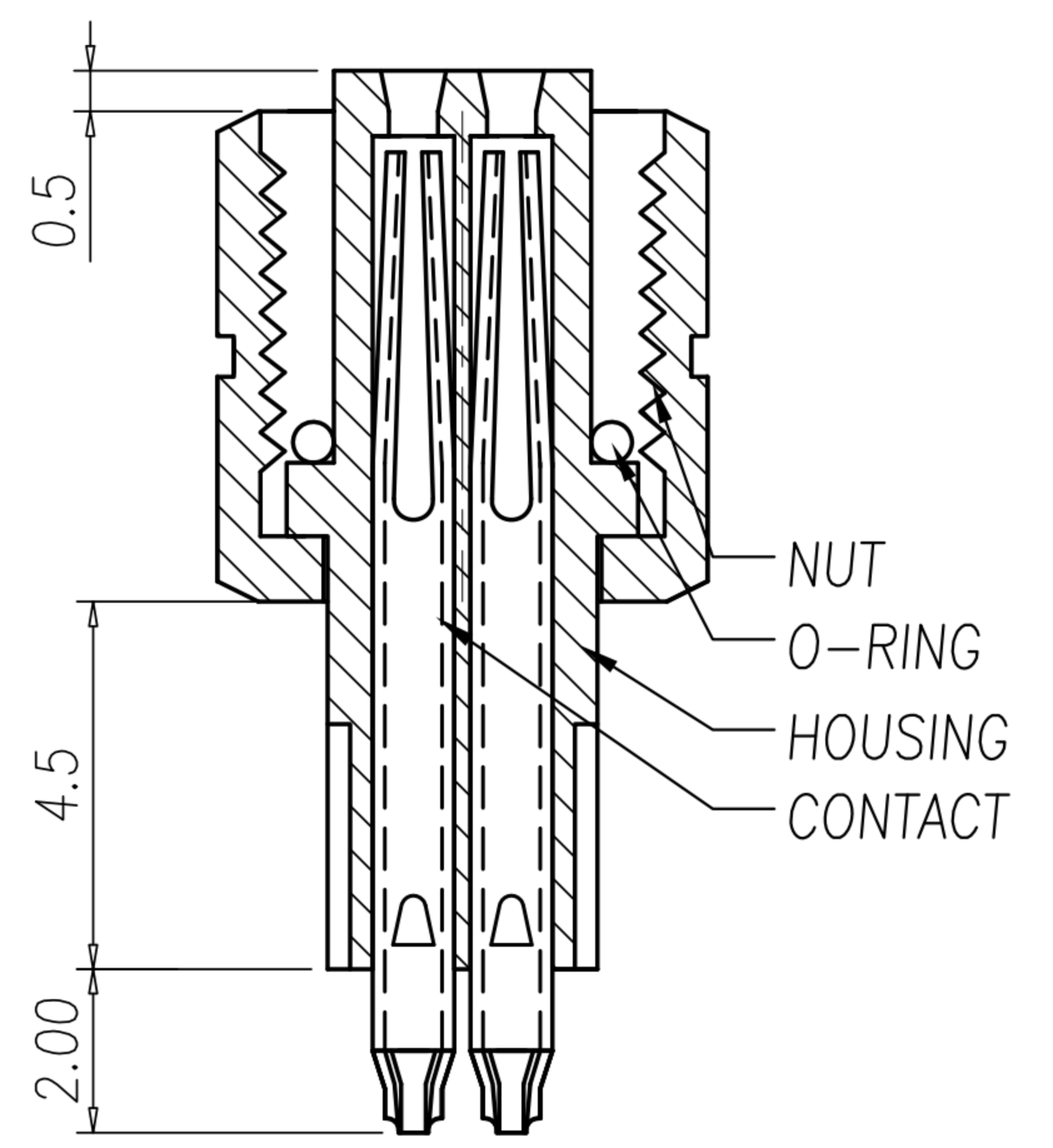


REV.	DESCRIPTION	APPROVED BY	DATE	ECN NO.
A	RELEASE	Fido Weng	17/01/13'	
B				
C				



NUT

TABLE A

4P	3P	2P

WP-04F2-166-11	BLACK Cr	GOLD 10u"
WP-04F2-165-11	BLACK NICKEL	GOLD 10u"
WP-04F2-143-11	Satin Nickel	GOLD 10u"
WP-03F2-64-11	Satin Nickel	GOLD 10u"
WP-02F2-40-11	Satin Nickel	GOLD 10u"
WP-02F2-21	Satin Nickel	GOLD FLASH
WP-03F2-34	Satin Nickel	GOLD FLASH
WP-04F2-82	BLACK NICKEL	GOLD FLASH
WP-04F2-88	BLACK Cr	GOLD FLASH
WP-04F2-49	Satin Nickel	GOLD FLASH
PART NO.	NUT PLATED	CONTACT FINISH

- MATERIAL :
 - HOUSING : TPU ; COLOR : BLACK
 - CONTACT : PHOSPHOR BRONZE
 - NUT : BRASS
 - O-RING : NBR ; COLOR : BLACK
- FINISH :
 - CONTACT : SEE TABLE A
 - NUT : SEE TABLE A
- ELECTRICAL SPECIFICATION :
 - Rated current : 1A
 - Rated Voltage : 60V
 - Water proof: IP67
- Environmental :
 - Operation Temperature : -20 °C~85°C