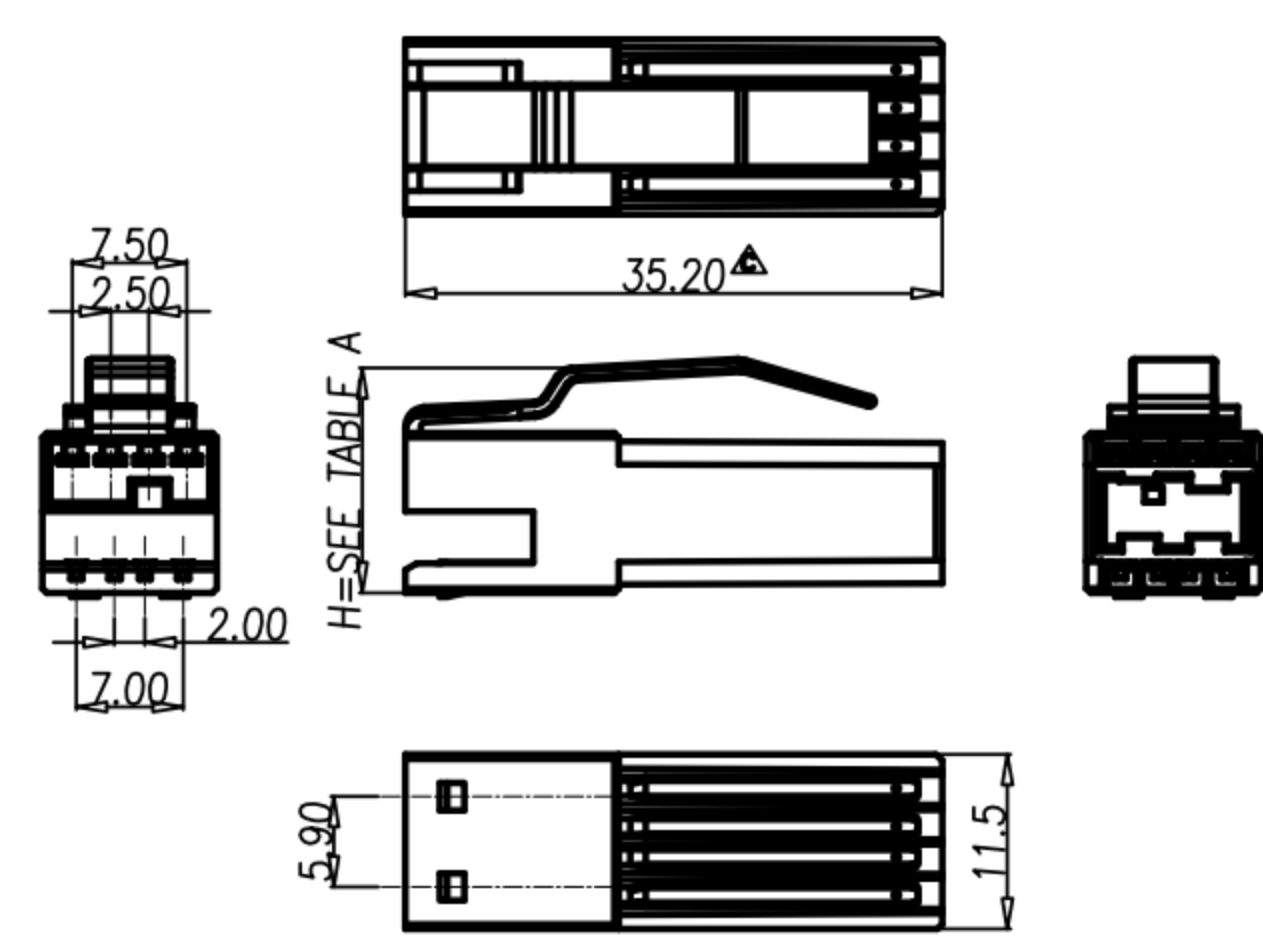
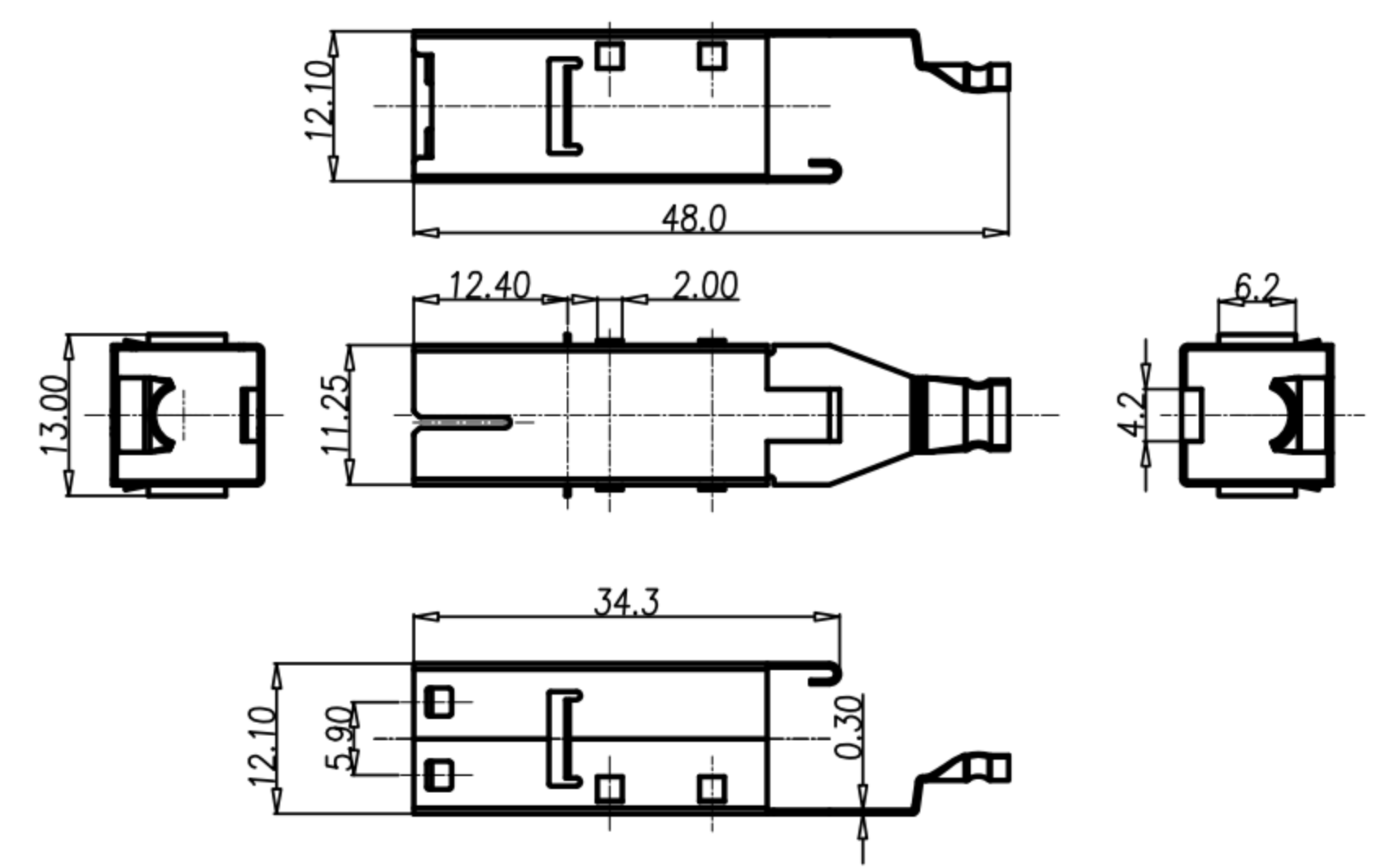


# CUSTOMER DRAWING

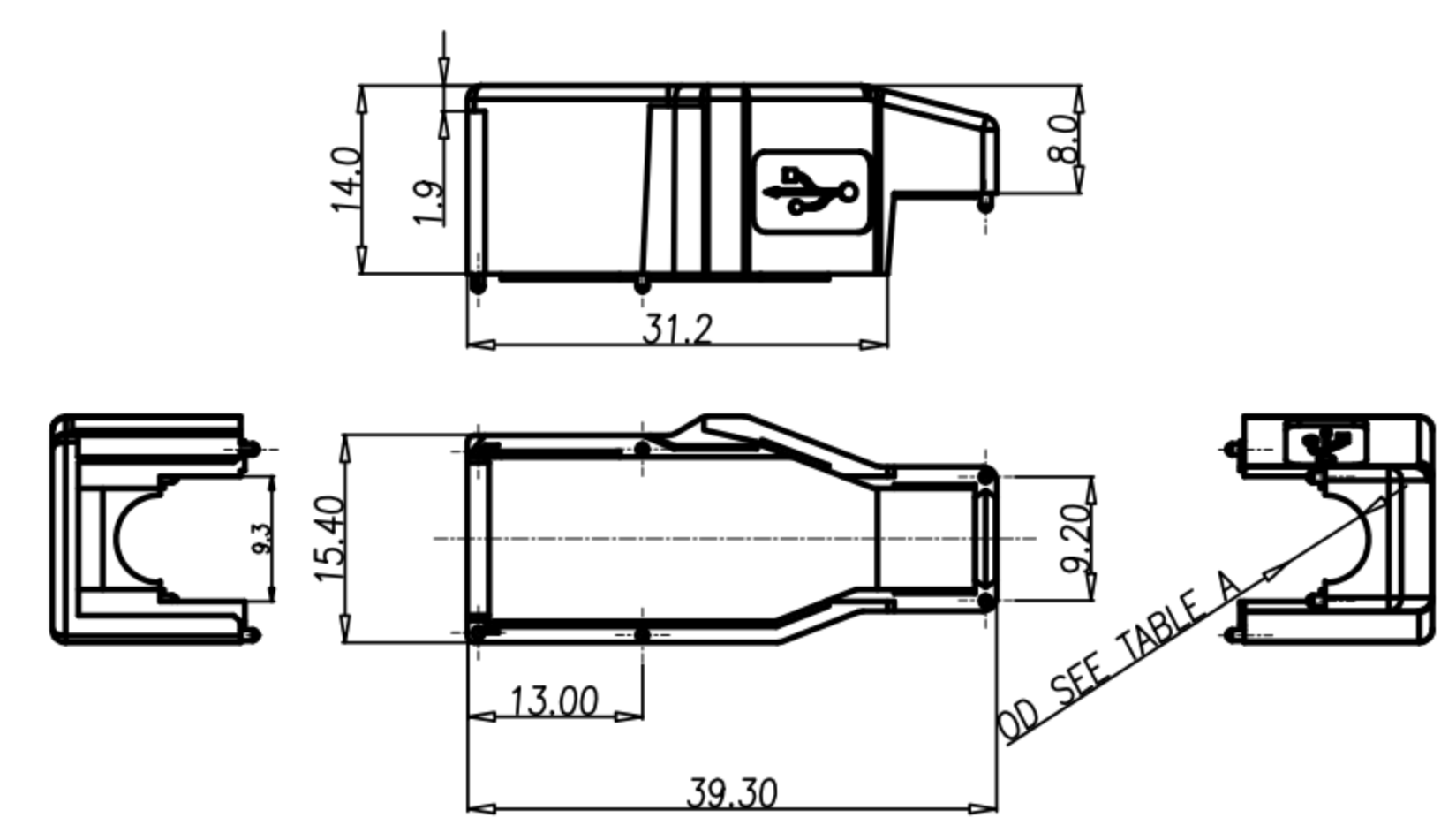
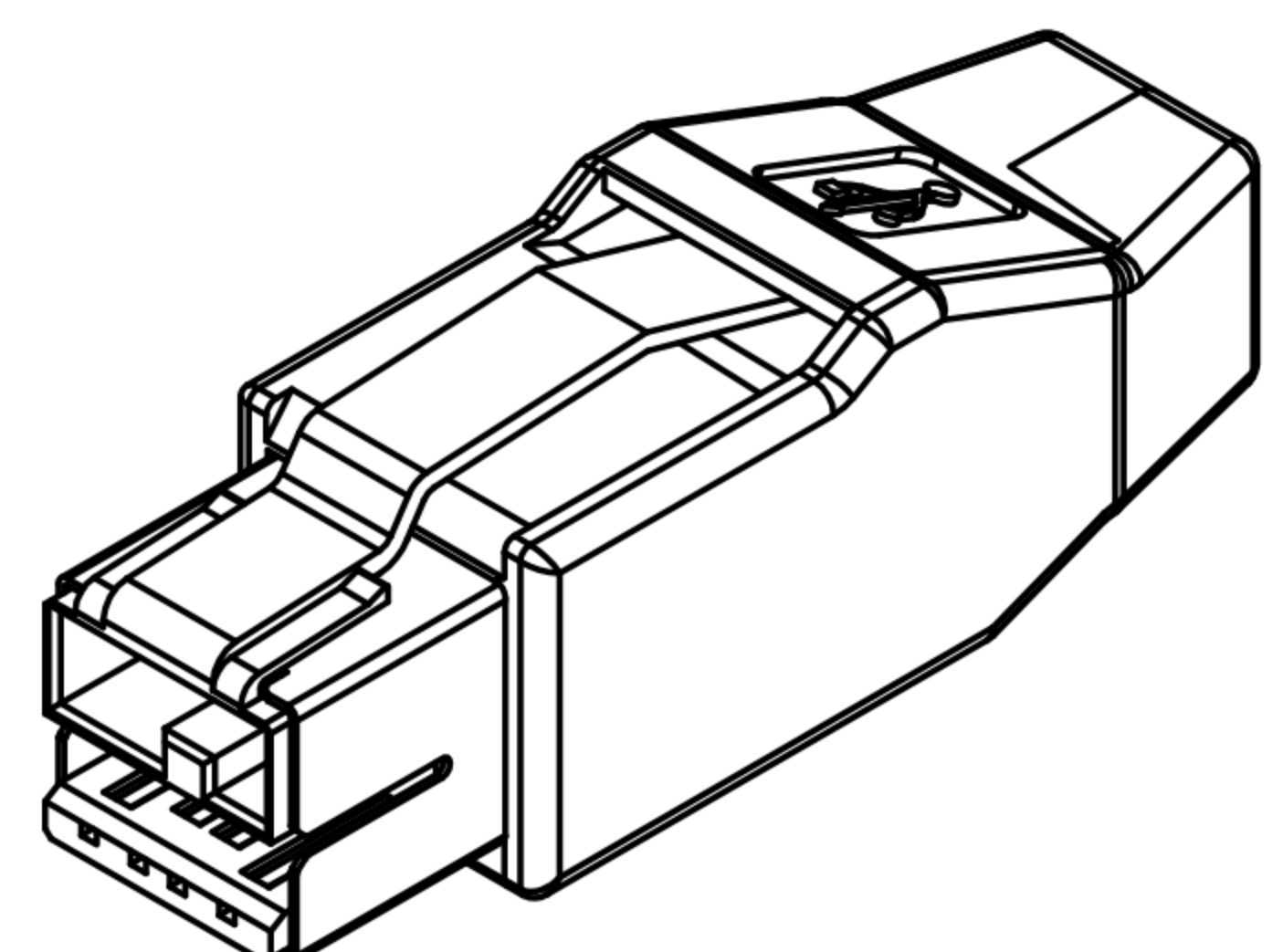
REV.	DESCRIPTION	APPROVED BY	DATE	ECN NO.
C	尺寸變更	Emily Suen	30/08/12"	
D	ADD NEW PART NO.	Fido Weng	10/09/13"	
E	合併料號	Fido Weng	06/02/18"	



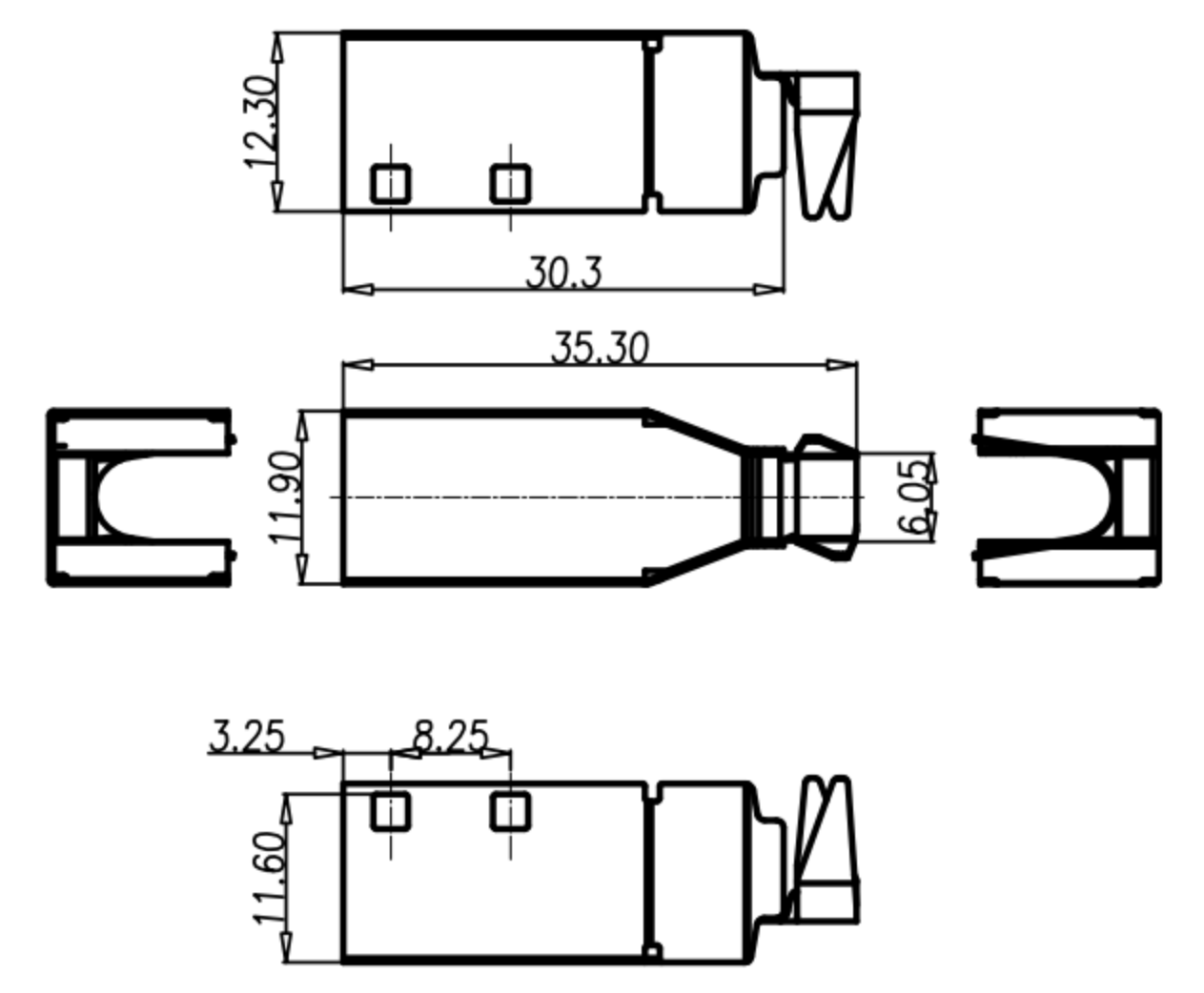
USB POWER COADE 8PIN(M) HSG+PIN



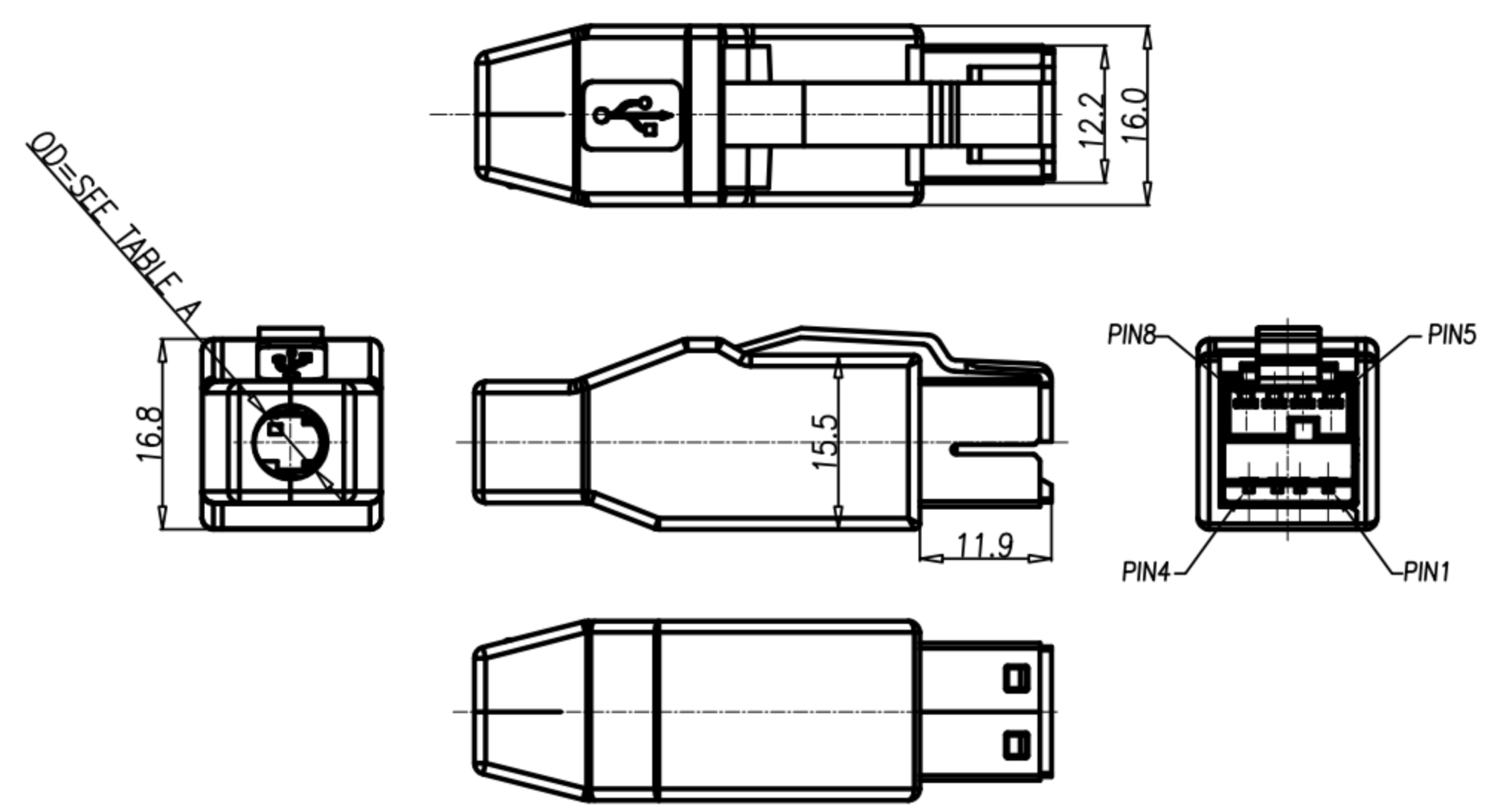
OY-US0248 USB POWER COADE 8PIN(M) LONG SHELL



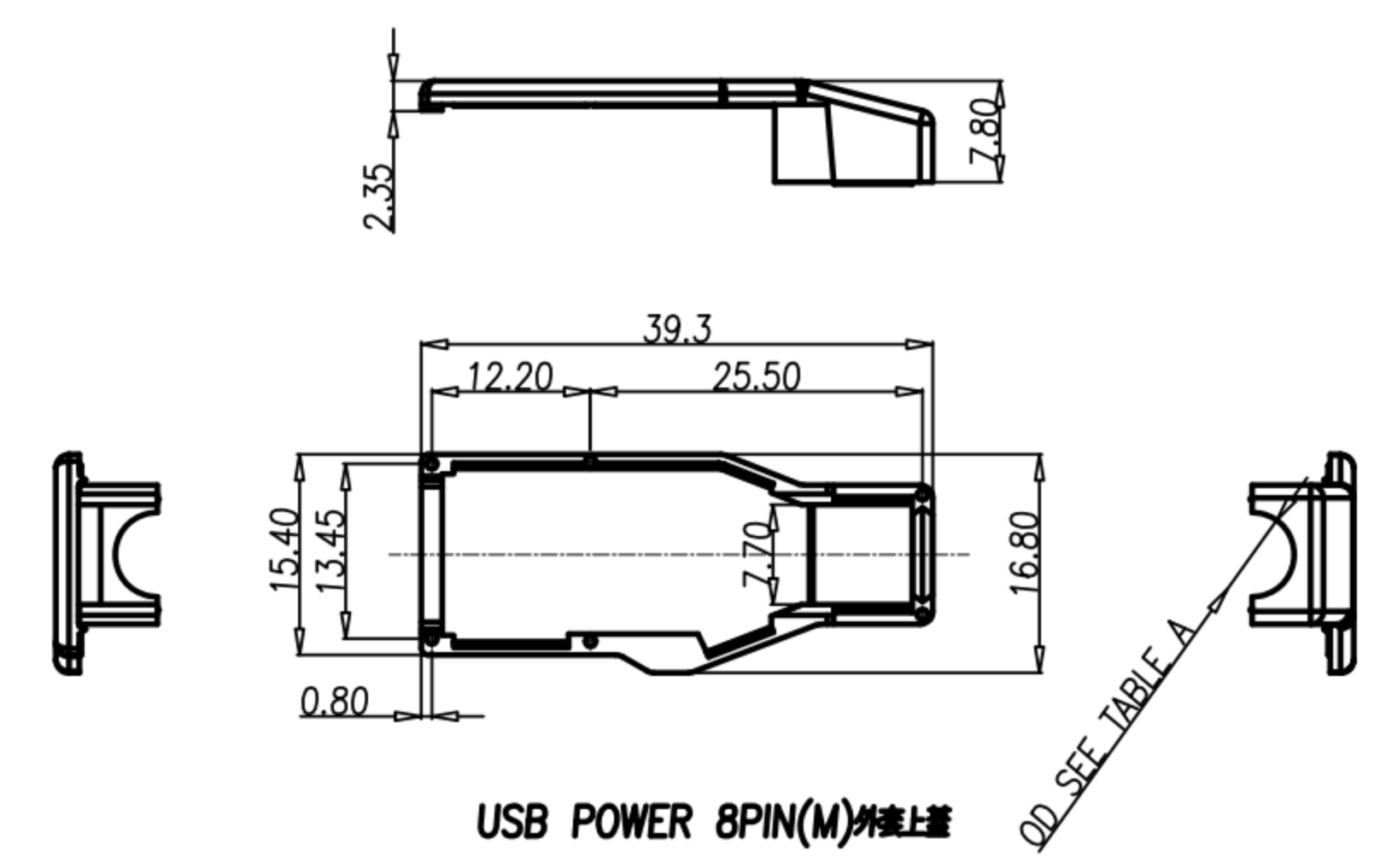
USB POWER 8PIN(M) 外殼下蓋



OY-US0249 USB POWER COADE 8PIN(M) SHORT SHELL



USB POWER 8PIN(M) 24V TYPE



USB POWER 8PIN(M) 外殼上蓋

P/N	DESCRIPTION
US-08M2-22	USB POWER 8PIN(M) 24V TYPE H=14.77(黑色外殼OD=7.0)
US-08M2-19	USB POWER 8PIN(M) 24V TYPE H=14.77(黃色外殼OD=7.0)
US-08M2-06	USB POWER 8PIN(M) 24V TYPE H=14.37(黑色外殼OD=7.0)
US-08M2-10	USB POWER 8PIN(M) 24V TYPE H=14.37(黃色外殼OD=7.0)
US-08M2-38-01	USB POWER 8PIN(M) 24V TYPE H=14.77(黃色外殼OD=6.5)(金30u")
US-08M2-37	USB POWER 8PIN(M) 24V TYPE H=14.37(黃色外殼OD=6.5)鍍金30u"
US-08M2-36	USB POWER 8PIN(M) 24V TYPE H=14.77(黃色外殼OD=4.5)
US-08M2-33	USB POWER 8PIN(M) 24V TYPE H=14.77(黑色外殼OD=4.5)
US-08M2-30	USB POWER 8PIN(M) 24V TYPE H=14.37(黃色外殼OD=4.5)
US-08M2-27	USB POWER 8PIN(M) 24V TYPE H=14.37(黑色外殼OD=4.5)
US-08M2-16	USB POWER 8PIN(M) 24V TYPE H=14.77(黑色外殼OD=6.5)
US-08M2-13	USB POWER 8PIN(M) 24V TYPE H=14.77(黃色外殼OD=6.5)
US-08M2-04	USB POWER 8PIN(M) 24V TYPE H=14.37(黑色外殼OD=6.5)
US-08M2-01	USB POWER 8PIN(M) 24V TYPE H=14.37(黃色外殼OD=6.5)

- MATERIAL :
  - 1-1. HOUSING : NYLON 66 UL94V-0
  - 1-2. CONTACT : PHOSPHOR BRONZE
  - 1-3. LONG SHELL : PHOSPHOR BRONZE
  - 1-4. SHORT SHELL : PHOSPHOR BRONZE
  - 1-5. UPPER COVER : ABS.
  - 1-6. BASE COVER : ABS.
- FINISH :
  - 2-1. CONTACT : GOLD 10u" MIN ON CONTACT AREA, SHINE TIN 80u" MIN ON SOLDER TAILS, UNDERPLATED NICKEL OVER ALL 50u" MIN.
  - 2-2. SHELL : TIN PLATED OVER ALL .
- ELECTRICAL SPECIFICATION :
  - 3-1. RATING VOLTAGE AND CURRENT : 1.5A AT 250V AC MIN, FOR POWER USB : 3.0A AT 250V AC MIN.
  - 3-2. CONTACT RESISTANCE : 30m Ohm MAX
  - 3-3. INSULATION RESISTANCE : 1000M Ohm MIN AT DC500V.
  - 3-4. DIELECTRIC WITHSTANDING VOLTAGE : AC 500V/1 MINUTE.

DRAWN	Jen Xie	APPEND	Fido Weng	UNIT	mm	TOLERANCE				TITLE	SEE TABLE A			SHEET	
CHKD	Emily Suen			SCALE	1:1					PART NO.	SEE TABLE A	DWG NO.	QC2787	VERSION	

广东科斯达电子科技有限公司  
GUANG DONG KE SI DA ELECTRONIC TECHNOLOGY CO., LTD.