

CUSTOMER DRAWING

| REV. | DESCRIPTION | APPROVED BY | DATE | ECN NO. |
|------|-------------|-------------|------|---------|
| △A | | | | |
| △B | | | | |
| △C | | | | |

包裝說明:

1. 如圖所示,將成品按規定之包裝數量置入盤子中,並在盤上貼上盤面標籤一張
2. 10盒盤子一個單位以模帶封住,在裝入箱內,再封膠帶
3. 紙箱封蓋後以封箱帶封箱,並在側面貼上出貨標籤和ROHS標籤
4. 標籤:若有客戶另有貼標籤要求,則按其訂單注明之要求貼
5. 紙箱尺寸及印刷包材圖面(總重量僅供參考,以實際出貨為準)
6. 未滿之零數箱,需以緩衝材料填滿
7. 在搬運過程中要輕拿輕放.
8. 載運輸中不可堆放過多,不可有重壓現象.
8. 紙箱:SEE TABLE A
9. 一盤:100PCS
10. 一箱:10盤1000PCS

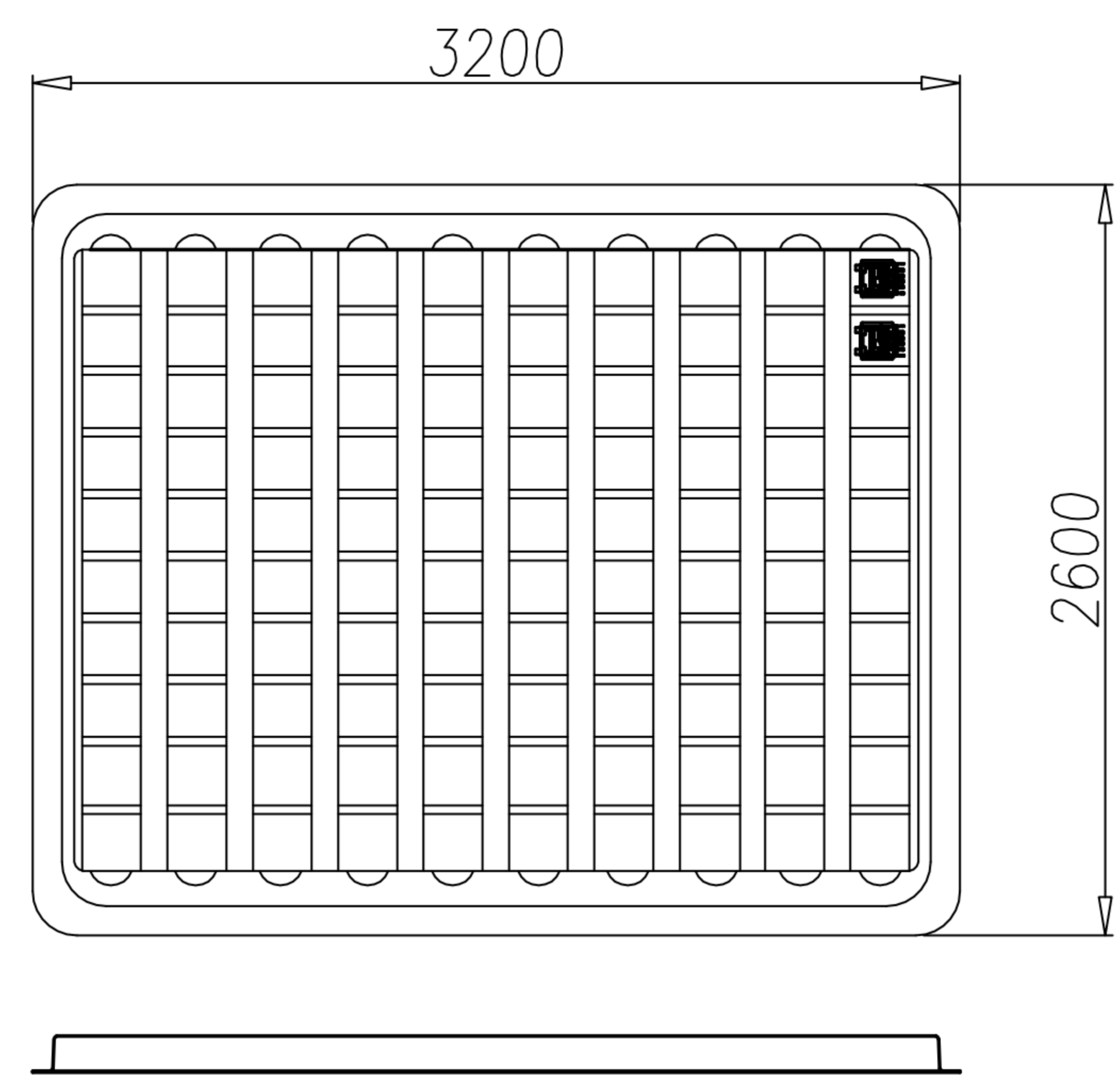
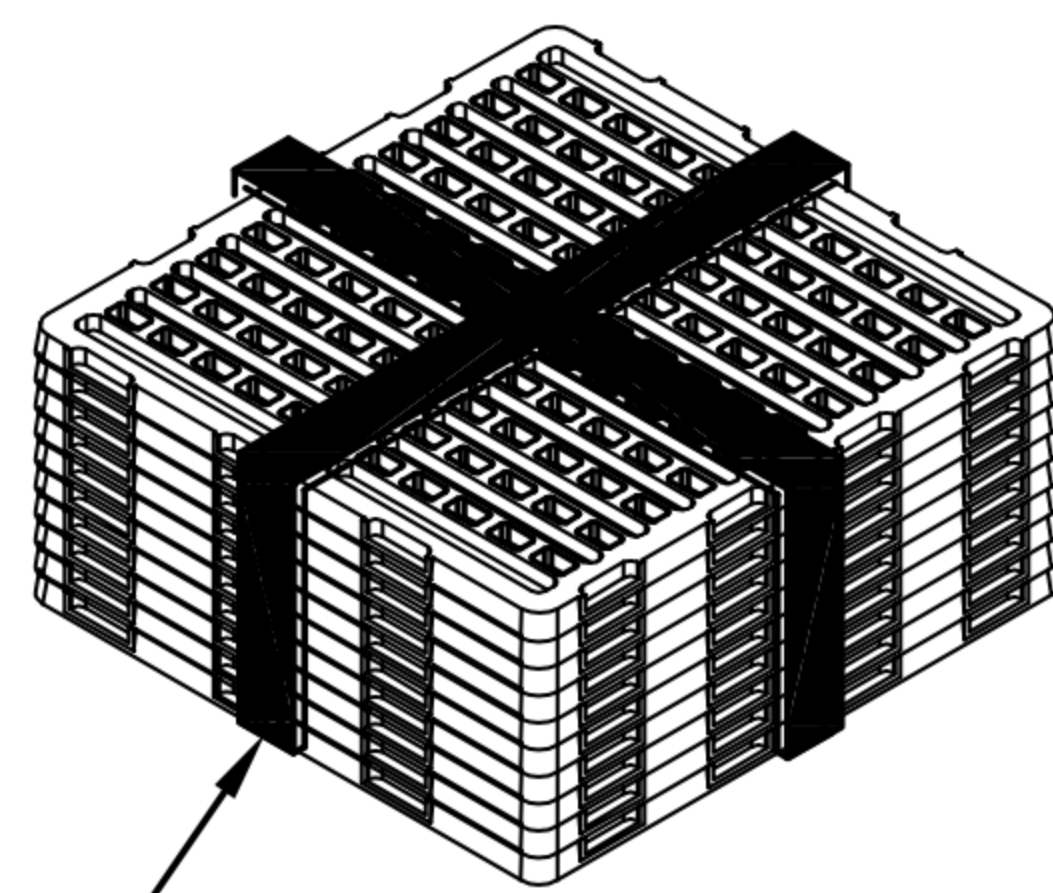
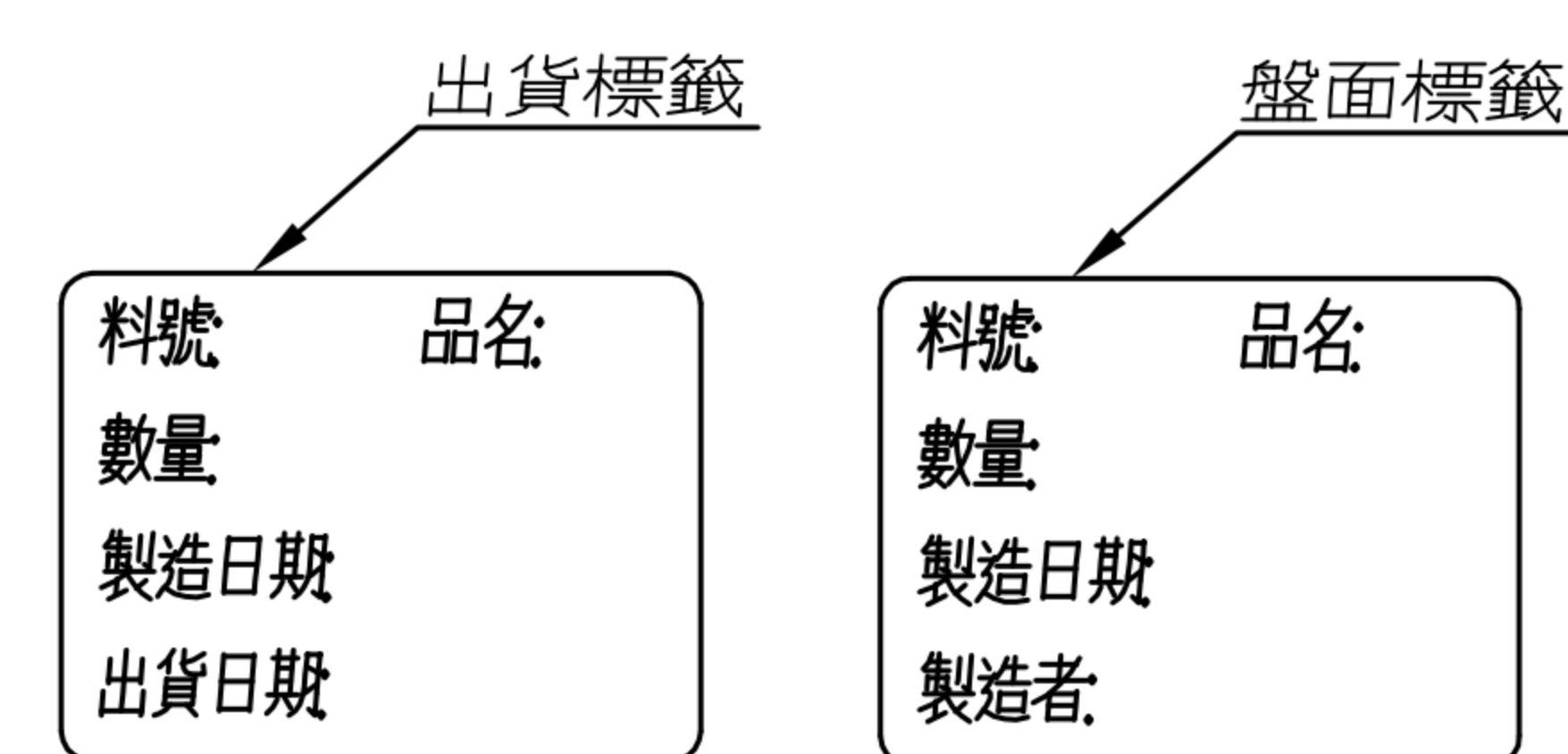
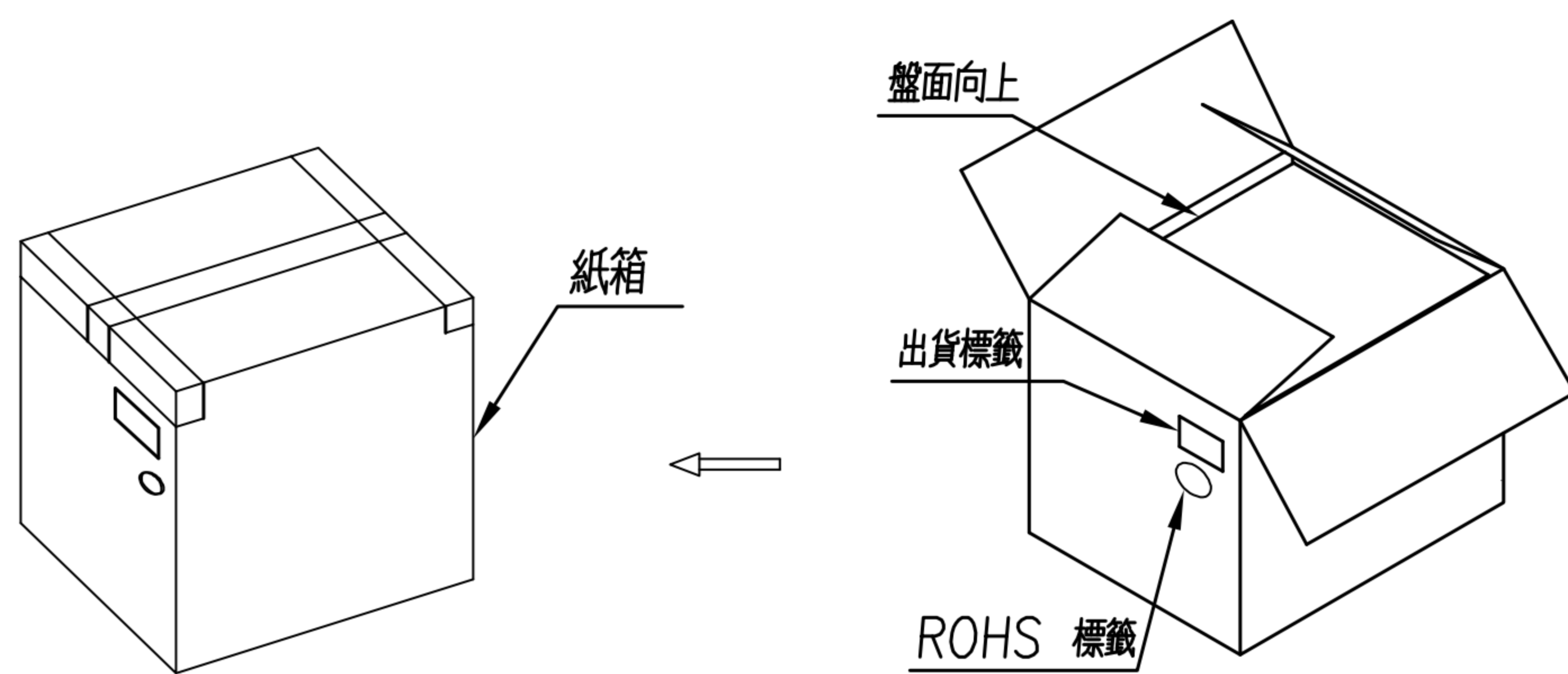


TABLE A

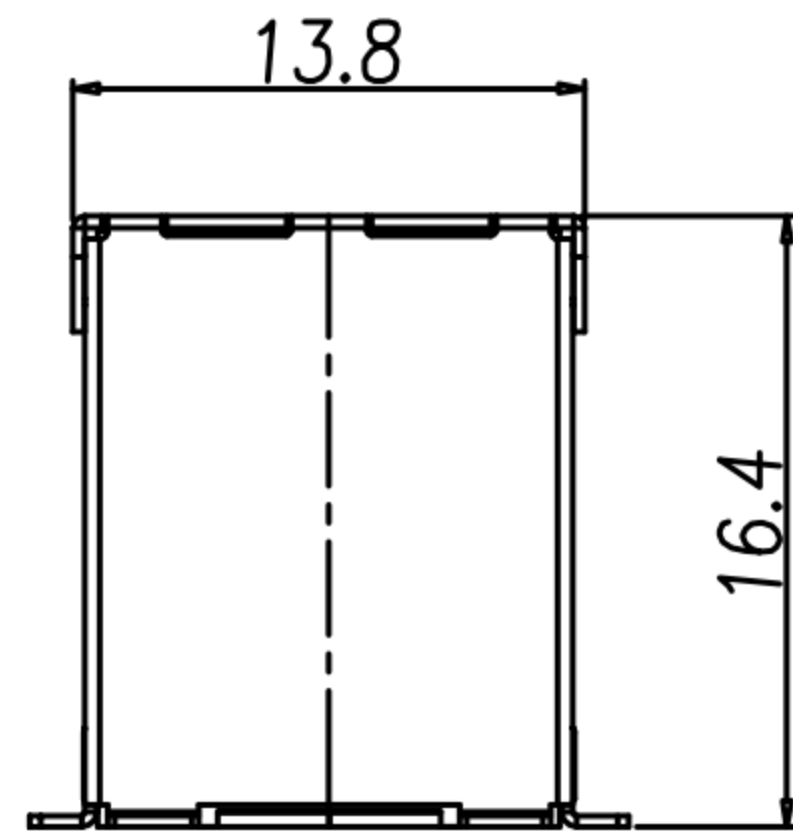
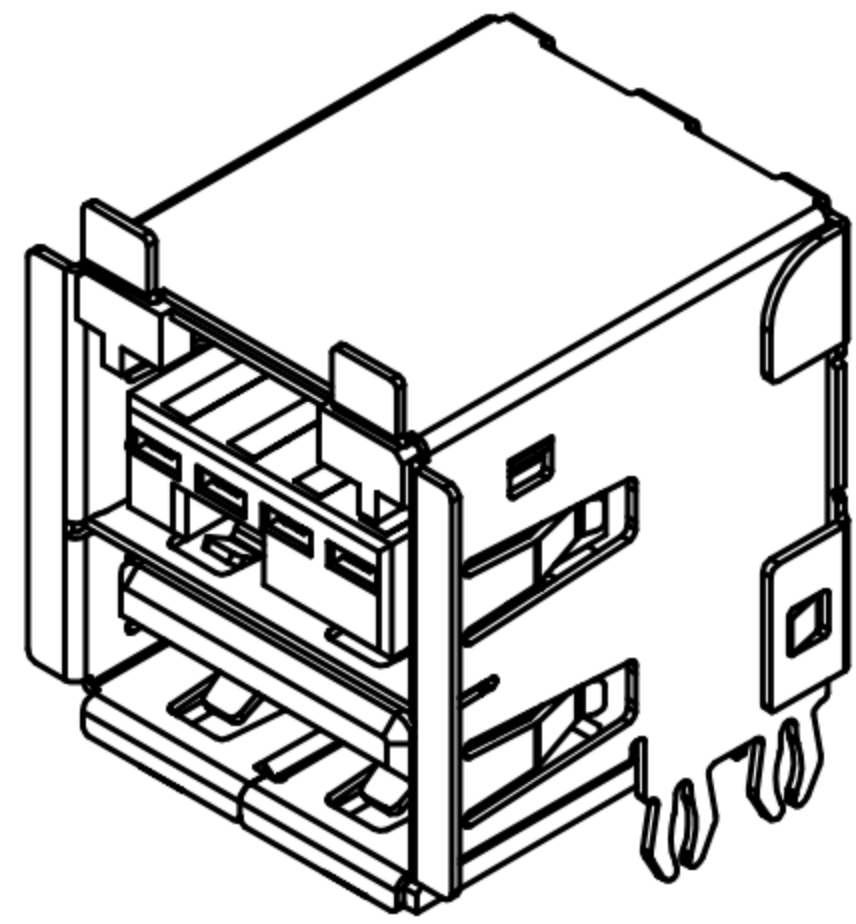
| | | | |
|---|-----------|----------------|-------------------------|
| ✓ | PK-BOX002 | F-008(1.02才紙箱) | L=415mm,W=297mm,H=242mm |
| | PK-BOX003 | F-009(0.4才紙箱) | L=373mm,W=233mm,H=133mm |
| | PK-BOX004 | F-010(0.7才紙箱) | L=333mm,W=236mm,H=221mm |
| | PK-BOX018 | 硬紙箱0.4才 | L=373mm,W=233mm,H=133mm |
| | PK-BOX019 | 紙箱1.06才(全不印字) | L=321mm,W=267mm,H=345mm |
| | P/N | 包材名稱 | 備註 |



| | | | | | | | | | | | | | | |
|-------|------------|-------|-----------|-------|-----|---|--|--|----------|-------------------|---------|--------|---------|---|
| DRAWN | Yeh Chou | APP'D | Fido Weng | UNIT | mm | TOLERANCE | | | TITLE | USB POWER 8PIN(F) | | | SHEET | 2 |
| CHK'D | Emily Suen | | | SCALE | 1:1 | .x ±0.10 .xx ±0.05 .xxx ±0.03 .xxx ±0.01 ANGULA ±1° | | | PART NO. | PK-US0006 | DWG NO. | QC2897 | VERSION | C |

CUSTOMER DRAWING

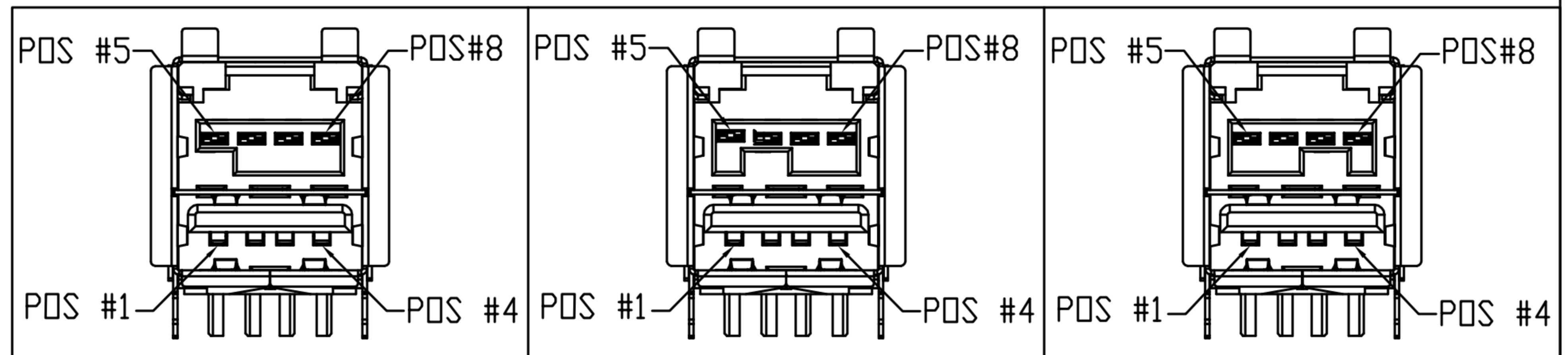
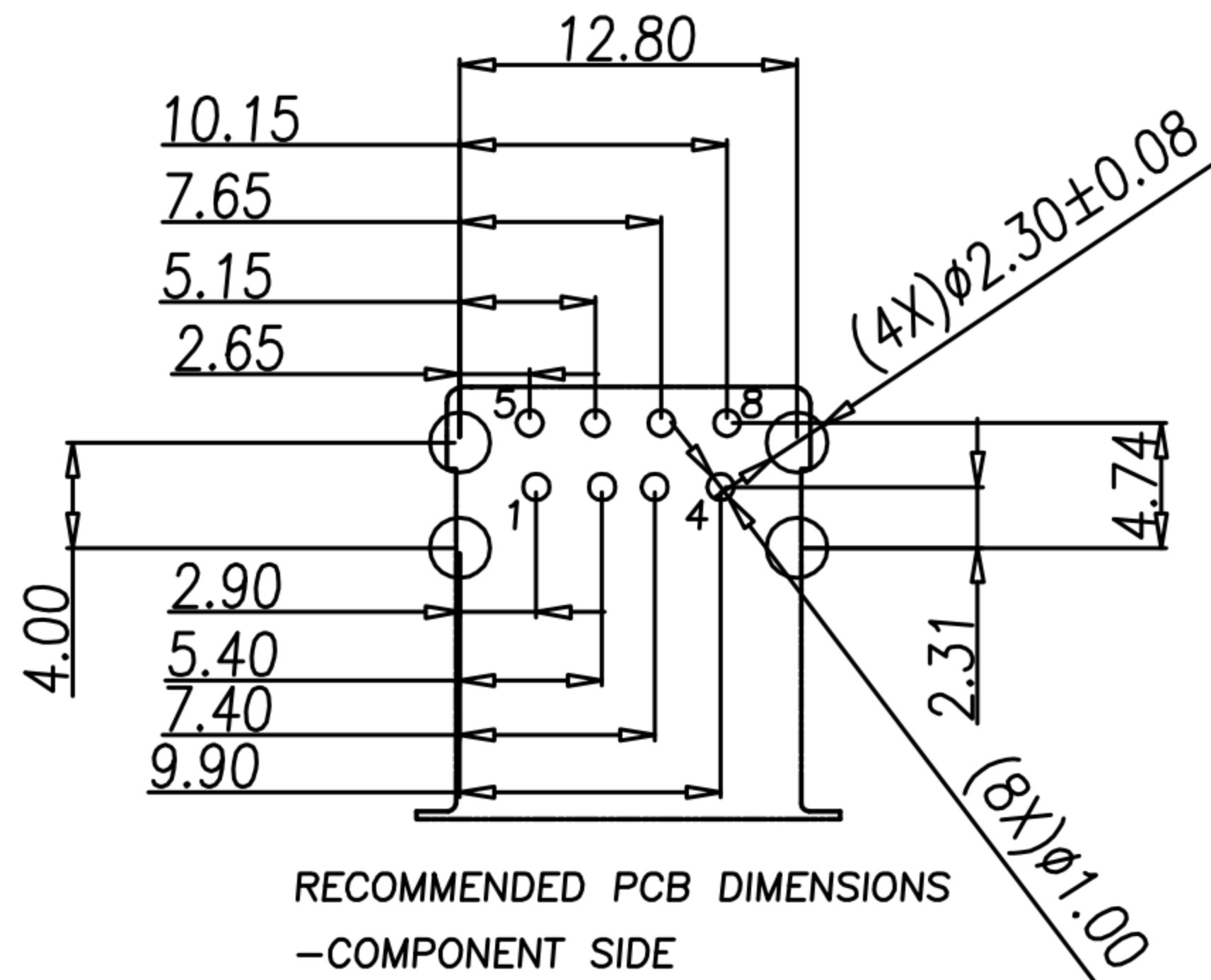
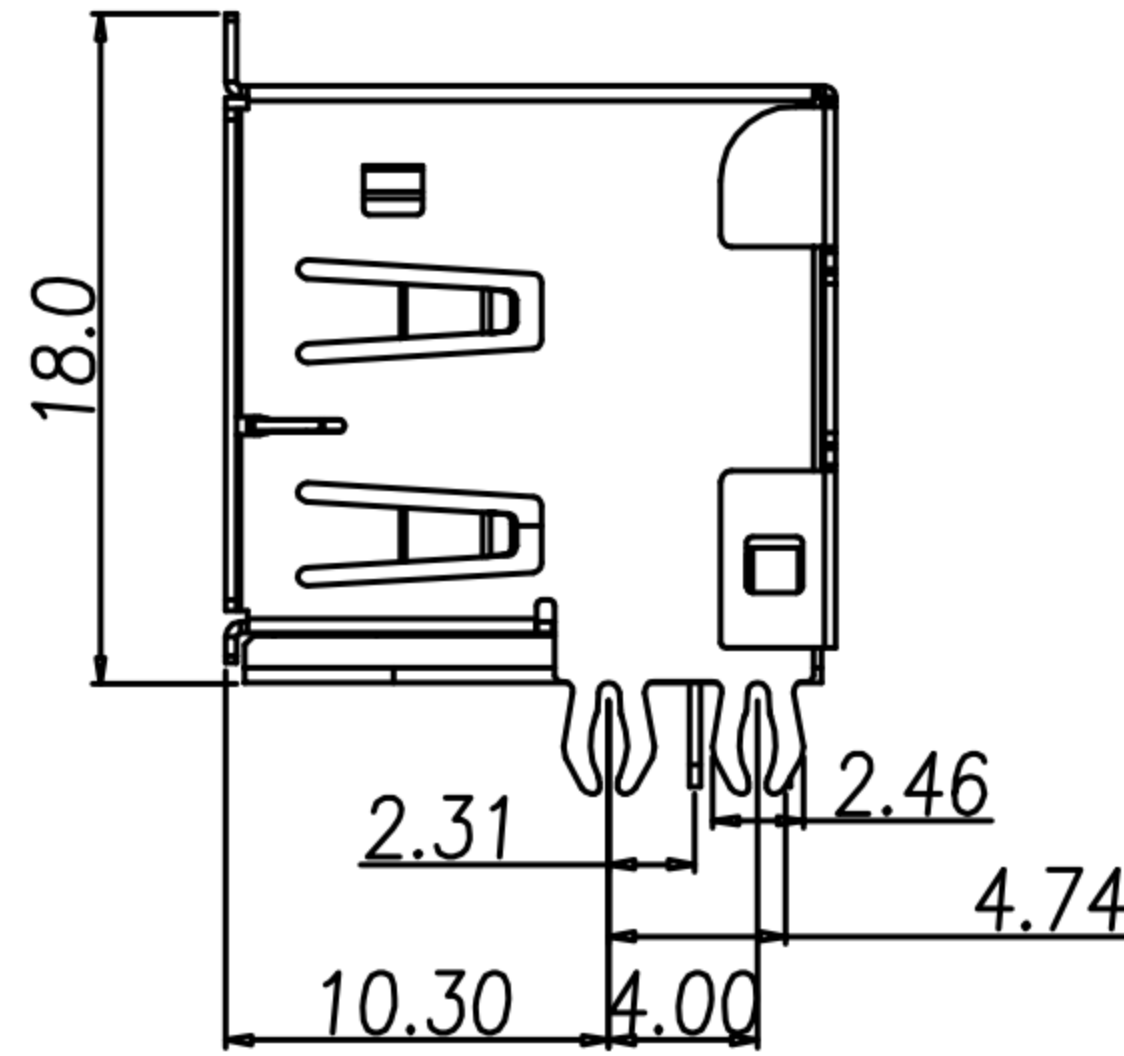
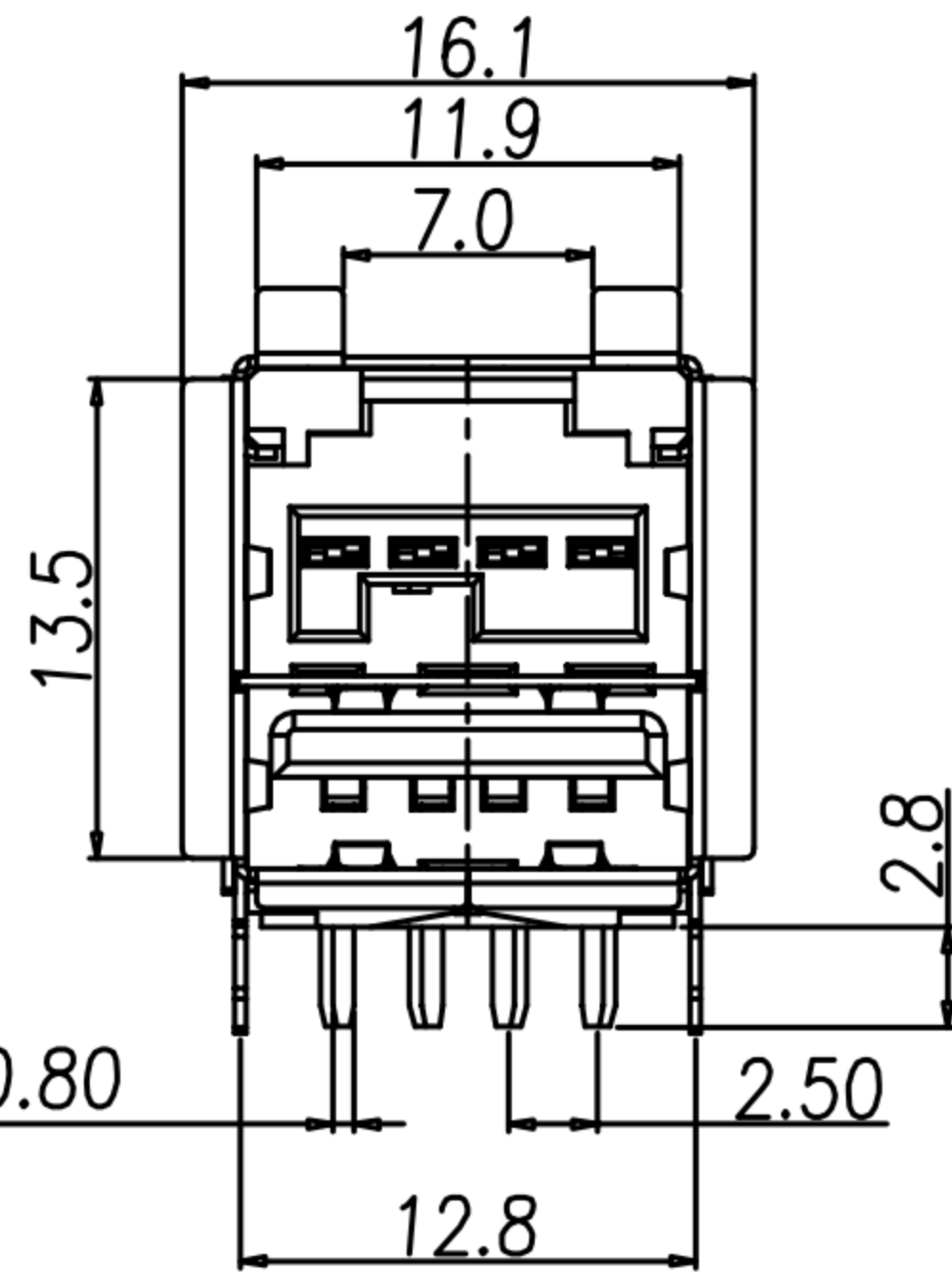
| REV. | DESCRIPTION | APPROVED BY | DATE | ECN NO. |
|------|-------------|-------------|-----------|---------|
| △A | RELEASE | Fido Weng | 23/02/09' | |
| △B | | | | |
| △C | | | | |



CONTACT ASSIGNMENTS

| CONTACT NUMBER | SIGNAL NAME |
|----------------|-------------|
| SHELL | SHIELD |
| 1 | VBUS |
| 2 | D- |
| 3 | D+ |
| 4 | USB GROUND |
| 5 | PWR GROUND |
| 6 | VPLUS |
| 7 | VPLUS |
| 8 | PWR GROUND |

1. MATERIAL :
 - 1-1. HOUSING : NYLON46 UL94V-0 ; COLOR : SEE TABLE A
 - 1-2. CONTACT : PHOSPHOR BRONZE, t=0.3
 - 1-3. SHELL : BRASS, t=0.3
 - 1-4. SHRAPNEL : PHOSPHOR BRONZE
2. FINISH :
 - 2-1. CONTACT : CONTACT AREA : 30u" MIN. GOLD PLATING
SOLDER AREA : MATTE-TIN
UNDER PLATE : 50u" MIN. NICKEL
 - 2-2. SHELL : 60u"~100u" NICKEL OVER ALL
 - 2-3. SHRAPNEL : 60u"~100u" NICKEL OVER ALL
3. ELECTRICAL :
 - 3-1. CURRENT RATING : 1.5A USB SECTION
3.0A POWER SECTION
 - 3-2. VOLTAGE RATING : USB; 5.25V DC,+POWER; 12V DC, 24V DC, 5V DC
 - 3-3. DIELECTRIC WITHSTANDING VOLTAGE : 750V AC
 - 3-4. INSULATION RESISTANCE : 1000 MΩ AT 500V DC
 - 3-5. CONTACT RESISTANCE : 30m Ohm MAX
 - 3-6. MATING CYCLES : 5000 CYCLE
4. ENVIRONMENTAL :
 - 4-1. OPERATION TEMPERATURE : -40℃~85℃



| | | |
|---|---|--|
| US-08F2-02 12V(KEY POSITION1) HOUSING COLOR : GREEN | US-08F2-01 24V(KEY POSITION2) HOUSING COLOR : RED | US-08F2-03 5V(KEY POSITION3) HOUSING COLOR : BLACK |
|---|---|--|

| | | | | | | | | | | | | |
|-------|------------|-------|---------|-------|-----|--|--|----------|-------------------|---------|--------|------------------|
| DRAWN | Mark Kao | APP'D | Ku Chou | UNIT | mm | TOLERANCE | | TITLE | USB POWER 8PIN(F) | | | SHEET |
| CHK'D | Emily Suen | | | SCALE | 1:1 | .x ±0.20 .xx ±0.10 .xxx ±0.05 .xxxx ±0.03 ANGULA ±1° | | PART NO. | SEE TABLE A | DWG NO. | QC2897 | VERSION A |

广东科斯达电子科技有限公司
 GUANG DONG KE SI DA ELECTRONIC TECHNOLOGY CO., LTD.