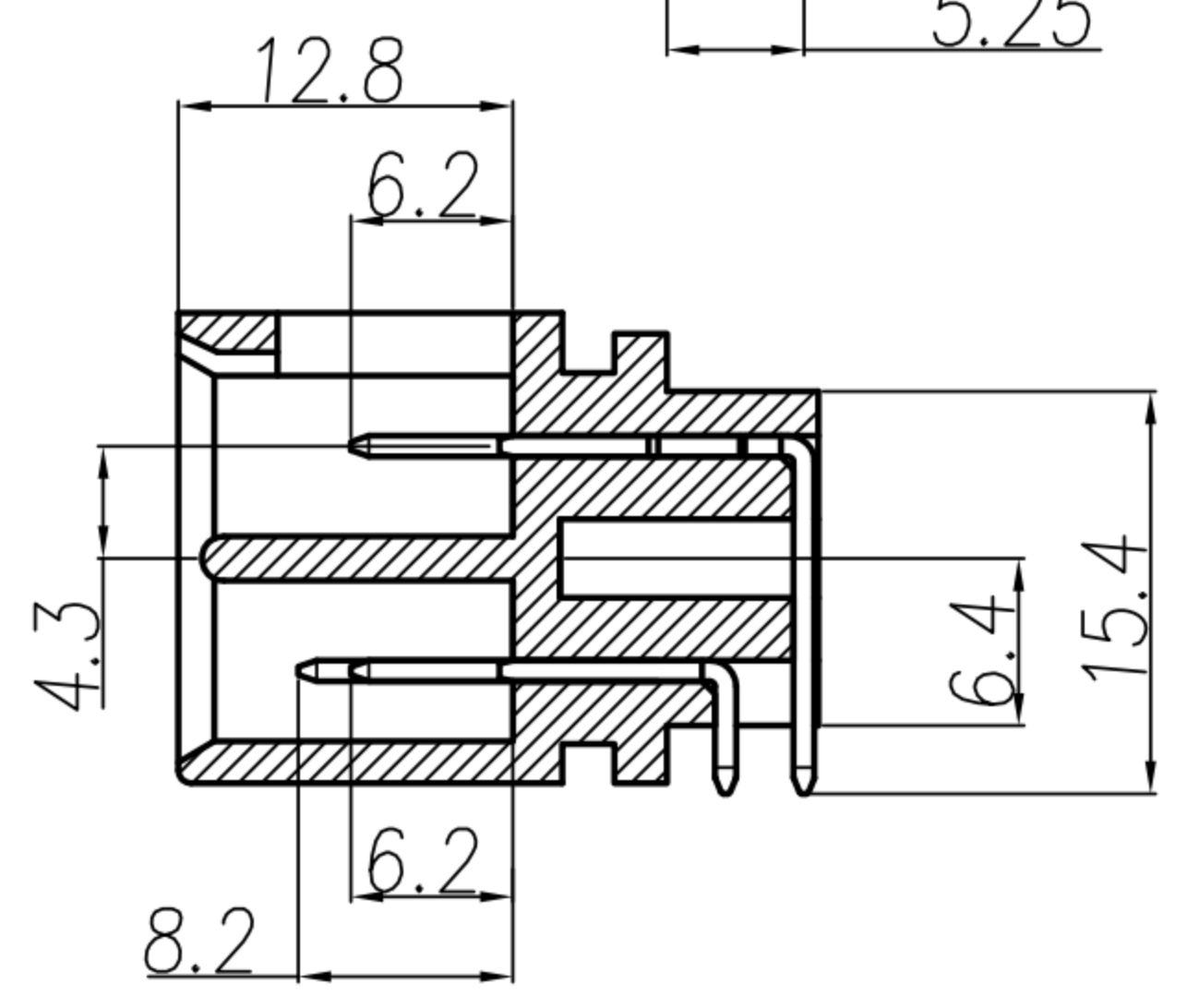
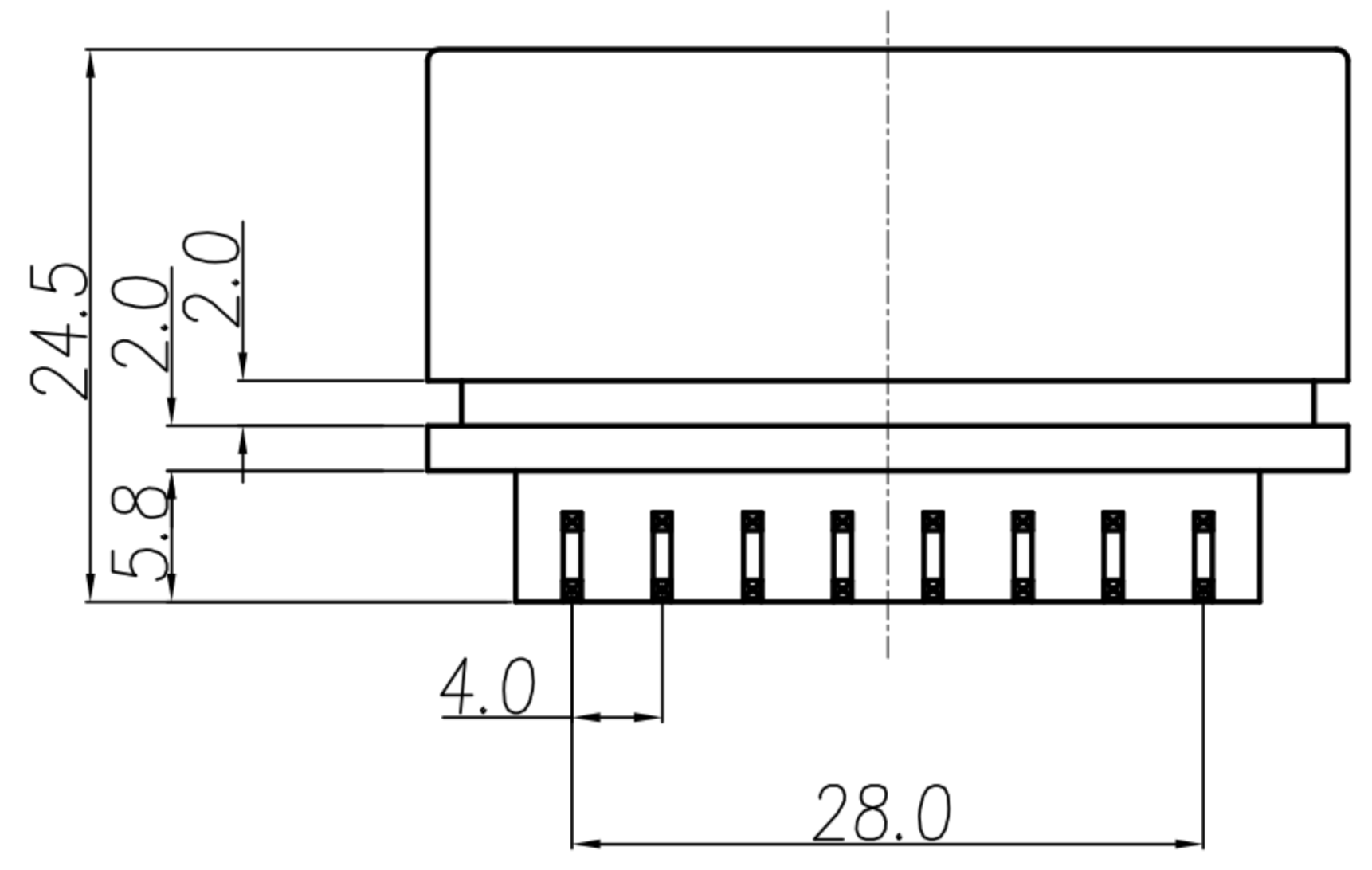
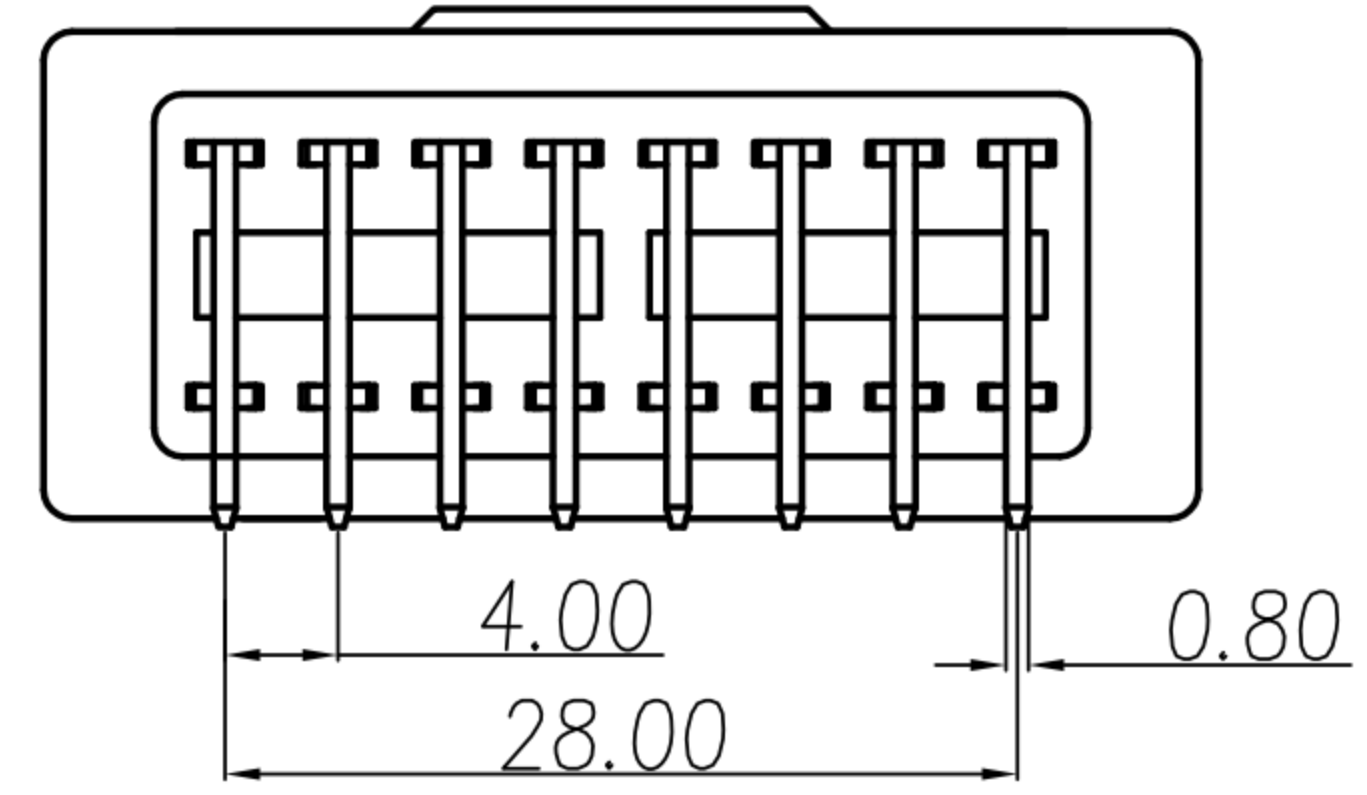
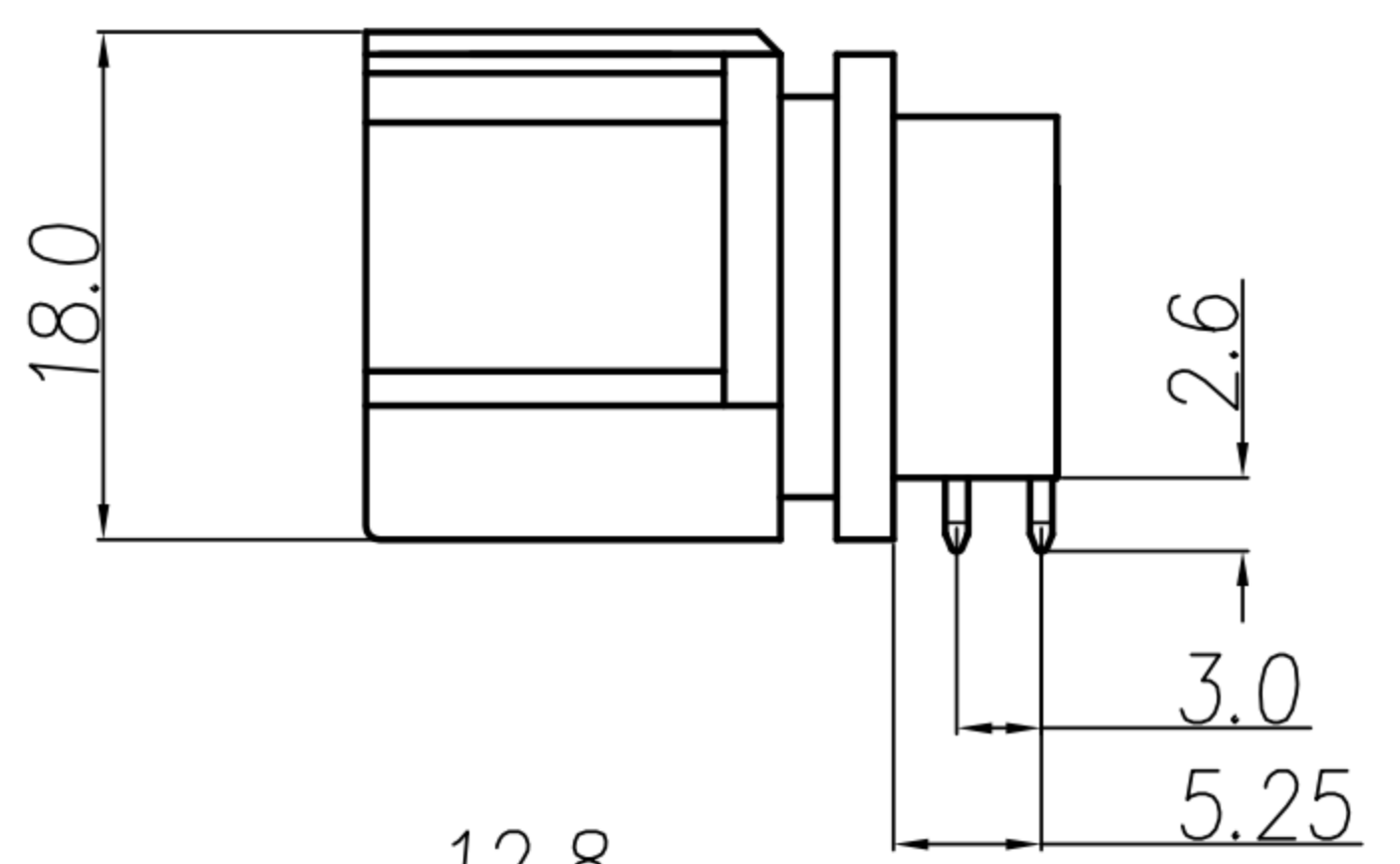
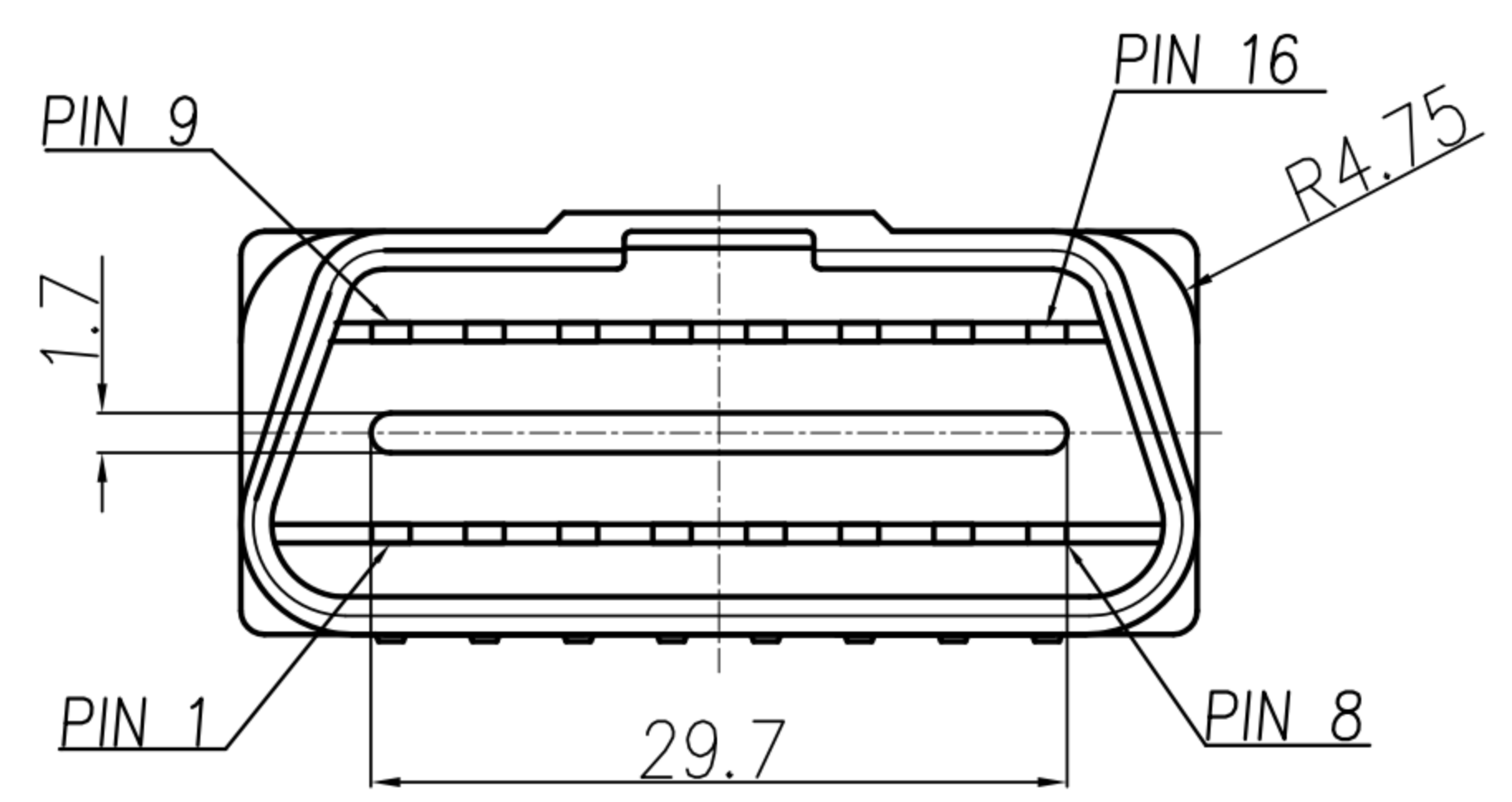
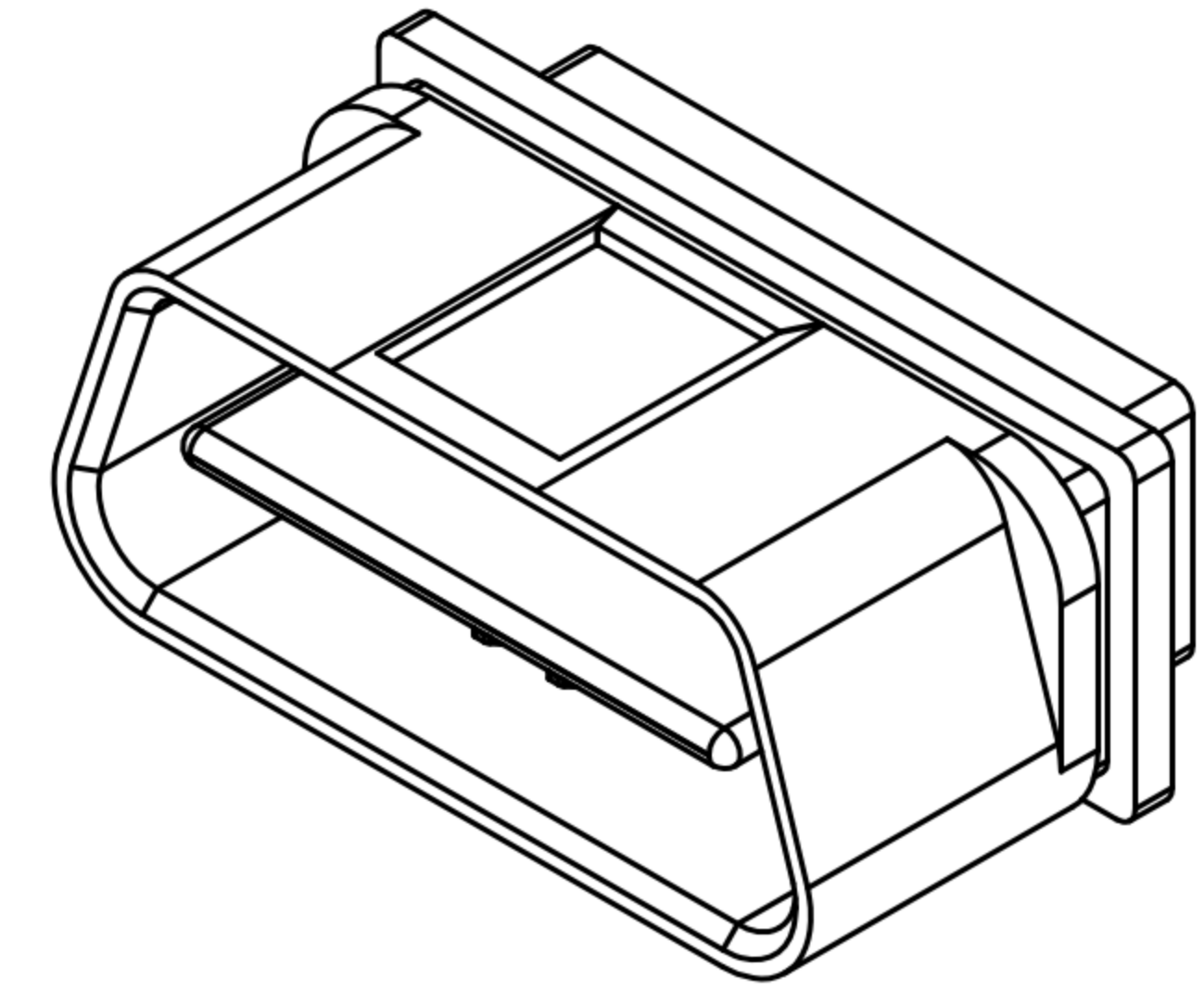
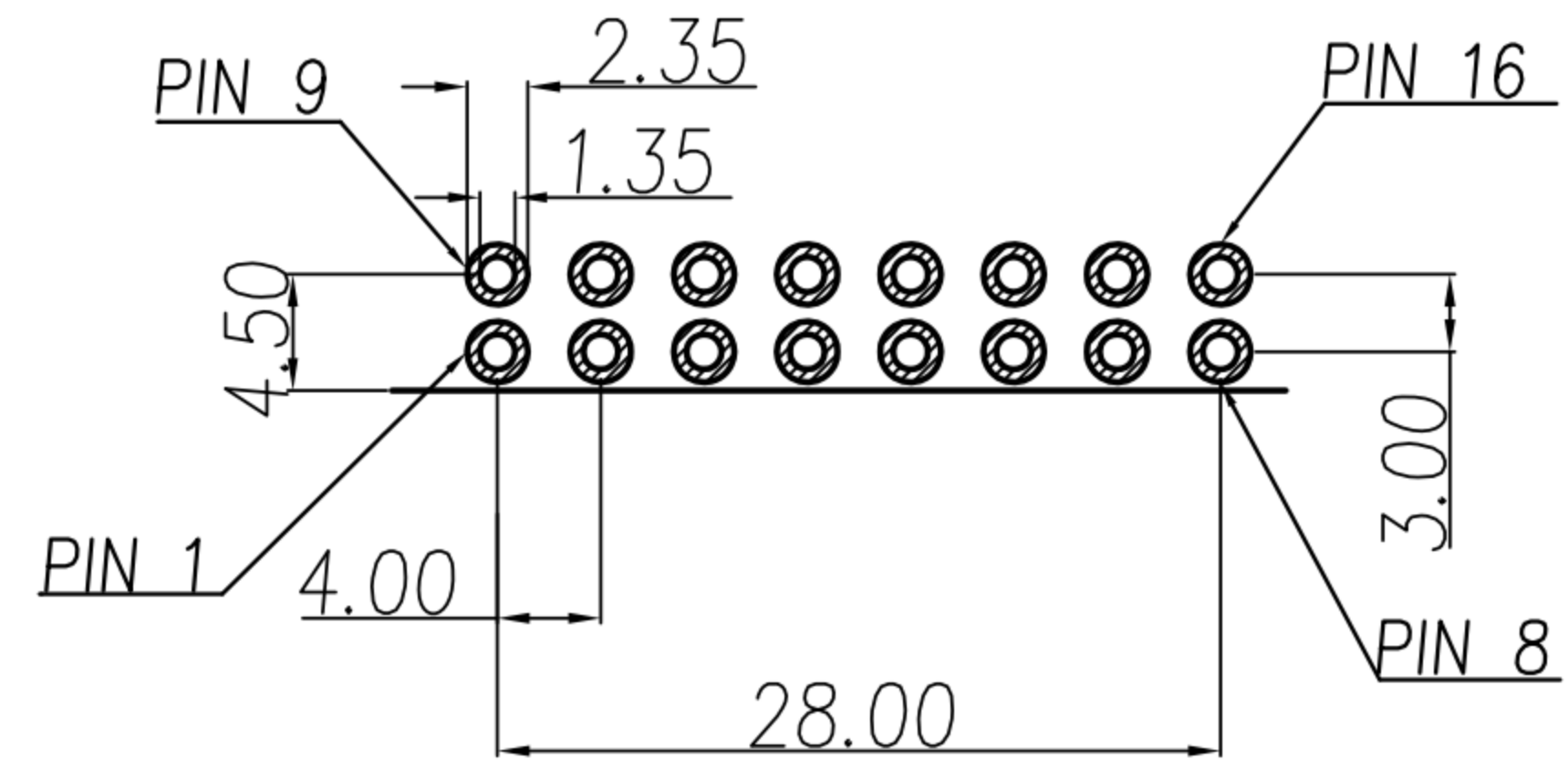
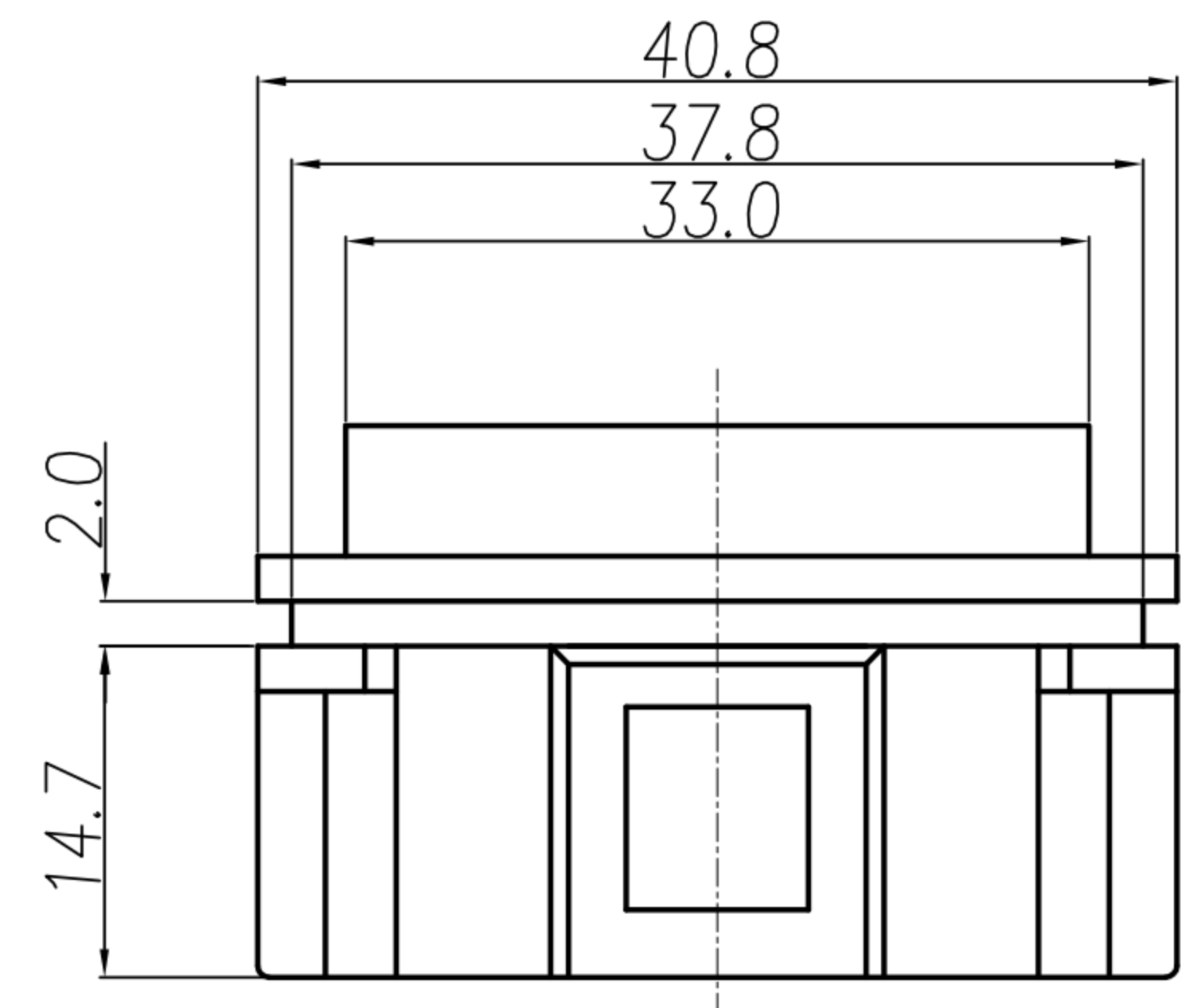


# CUSTOMER DRAWING

REV.	DESCRIPTION	APPROVED BY	DATE	ECN NO.
A	RELEASE	Fido Weng	24/04/11*	
B				
C				



- MATERIAL :
  - 1-1. HOUSING : NYLON 66 ; COLOR : BLACK
  - 1-2. CONTACT : BRASS
- FINISH :
  - 2-1. CONTACT : BRIGHT TIN UNDERPLATED NICKEL.
- Environmental :
  - 3-1. Operation Temperature : -40℃~85℃

DRAWN	KU	APPEND	Emily Suen	UNIT	mm	TOLERANCE		广东科斯达电子科技有限公司 GUANG DONG KE SI DA ELECTRONIC TECHNOLOGY CO., LTD.	TITLE	OBD II 90° TYPE			SHEET	1 VERSION A
CHKD	Emily Suen			SCALE	1:1	.x ±0.20 .xx ±0.10 .xxx ±0.05 .xxxx ±0.03 ANGULA ±1°			PART NO.	OBD2-16M3-01	DWG NO.	QC5324		