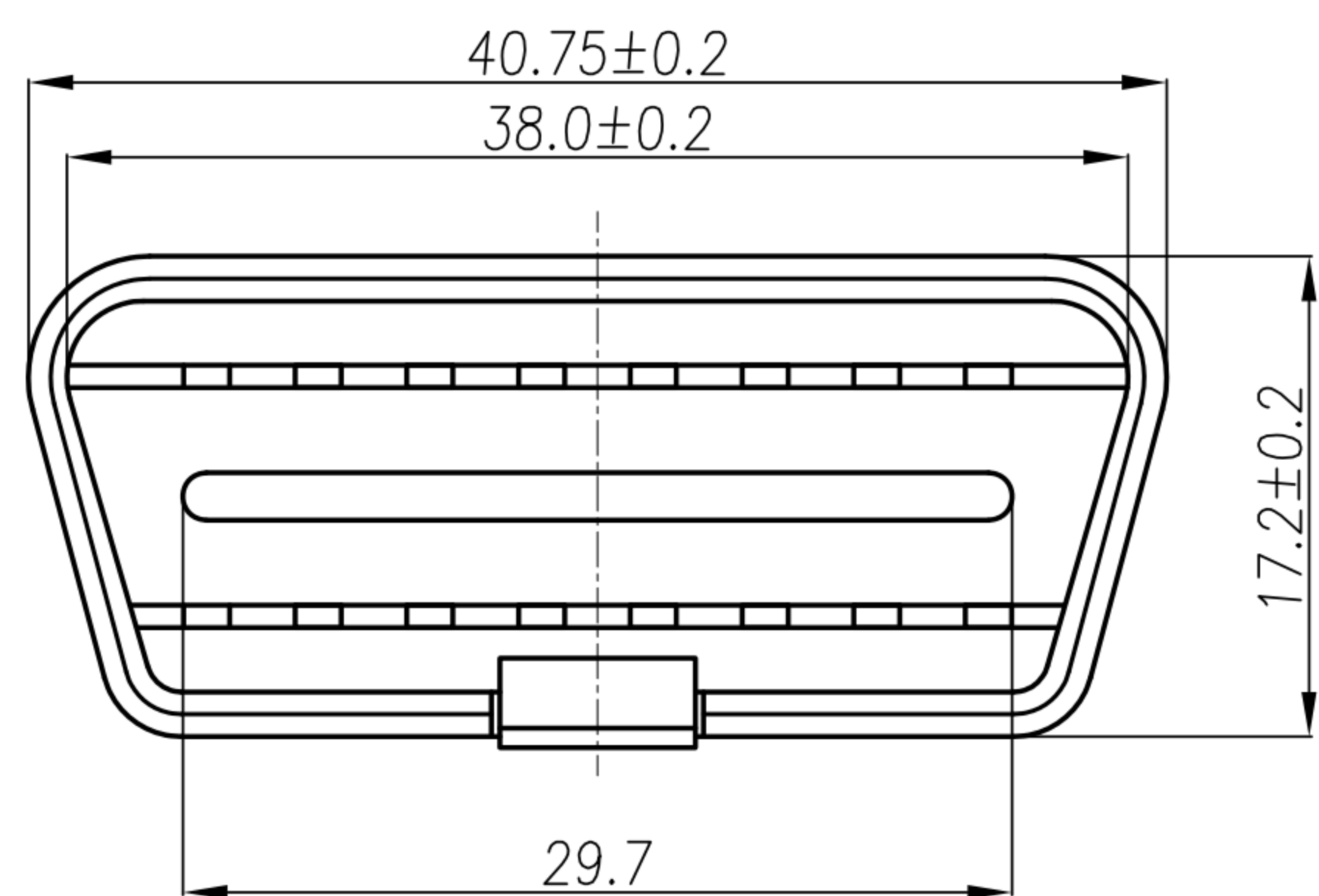
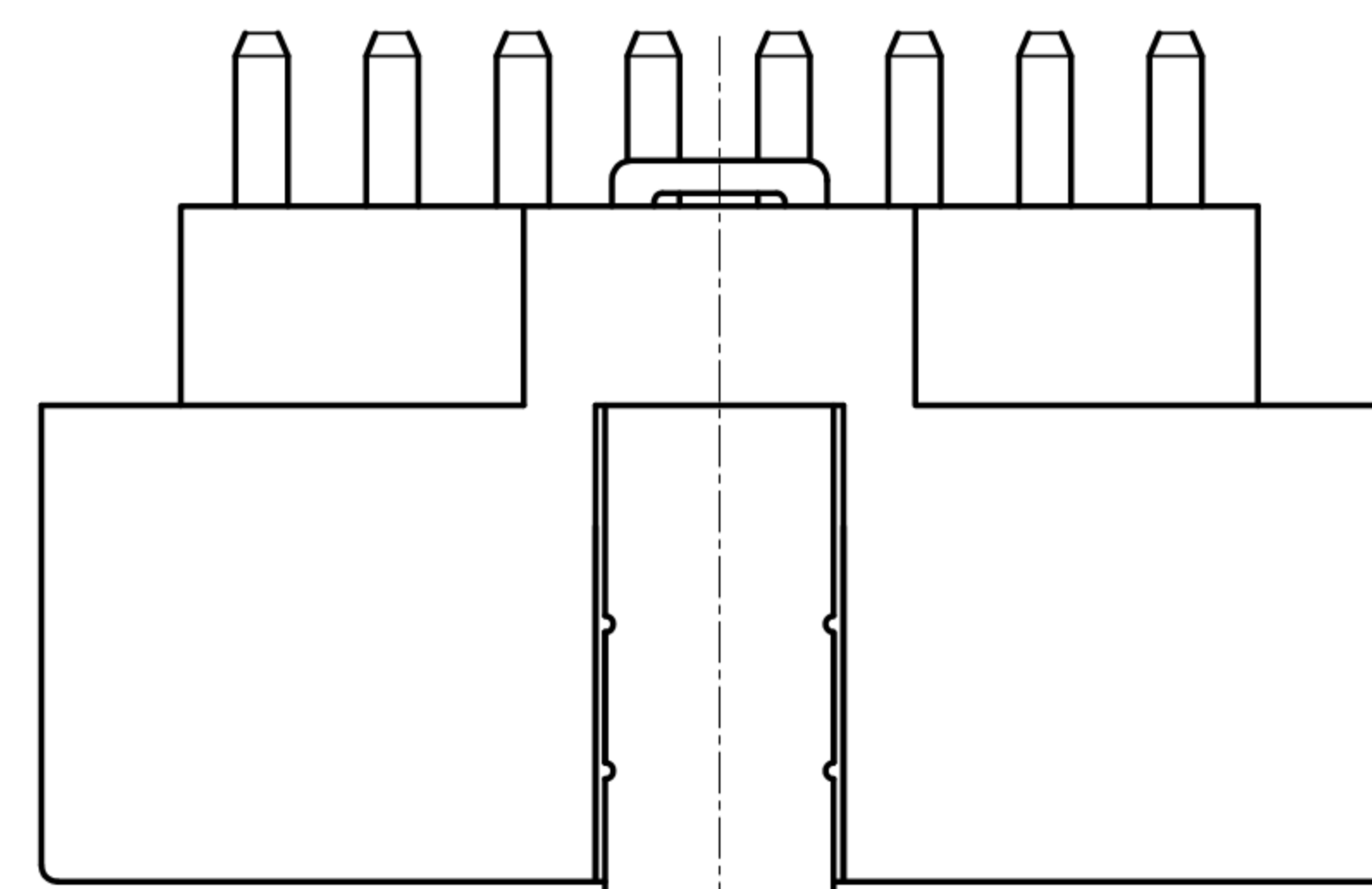
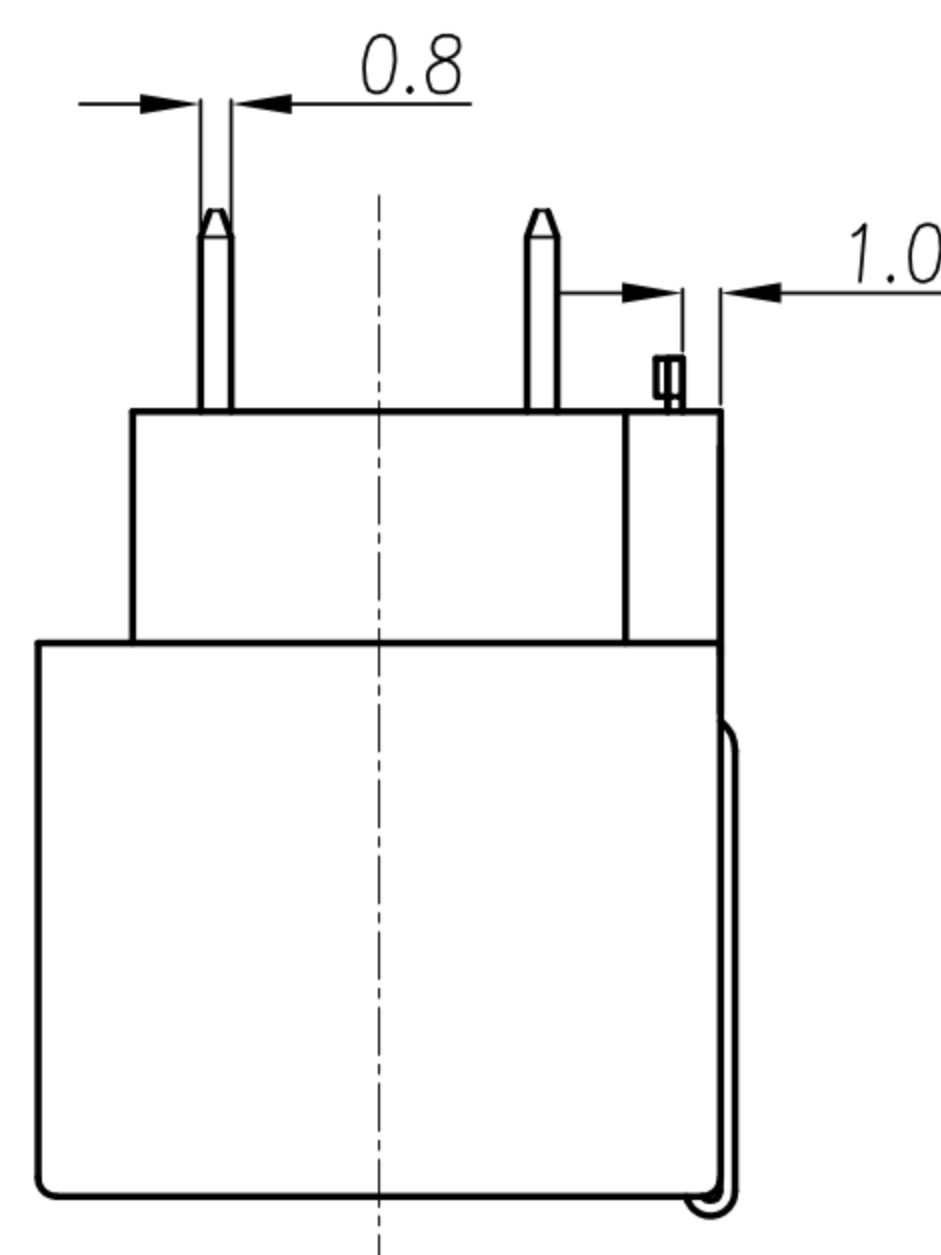
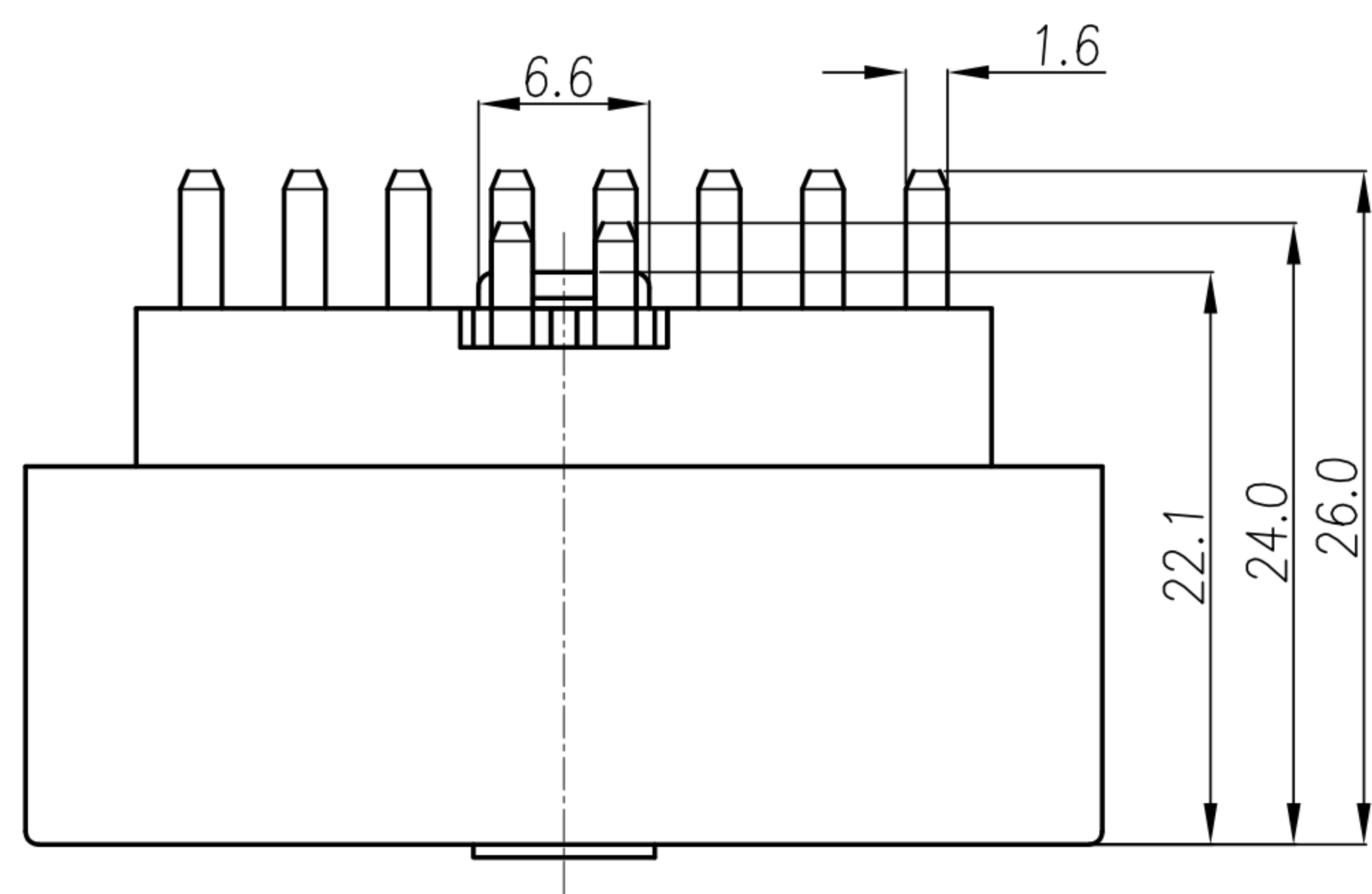
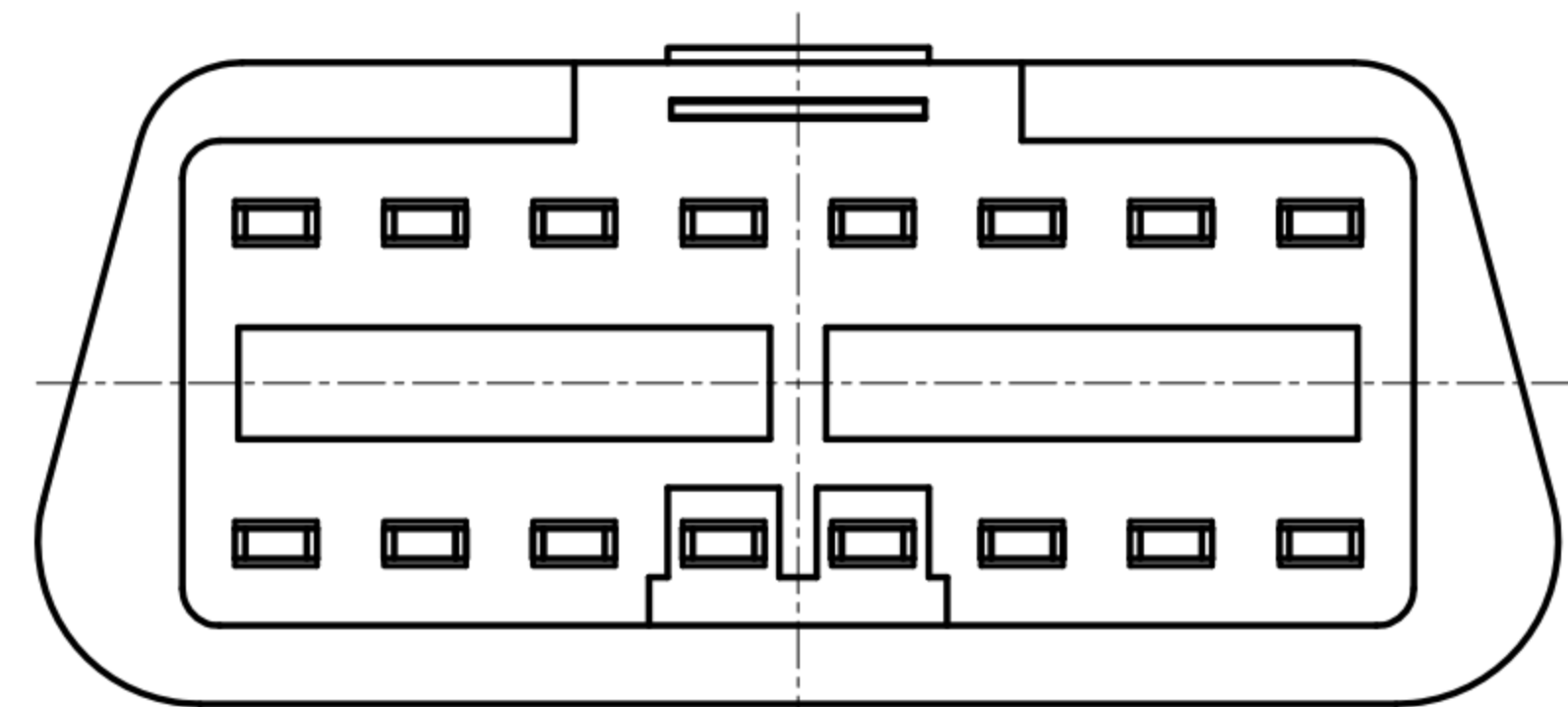


CUSTOMER DRAWING

REV.	DESCRIPTION	APPVL. BY	DATE	ECN NO.
A	RELEASE	Fido Weng	31/12/08*	
B				
C				



1. MATERIAL :
- 1-1. HOUSING : NYLON66 ; COLOR : RED
 - 1-2. CONTACT : BRASS
 - 1-3. SPRING : STAINLESS STEEL
2. FINISH :
- 2-1. CONTACT : CONTACT AREA : BRIGHT TIN. SOLDER AREA : TIN 60u"

DRAW	Ya Chou	APPVL	Fido Weng	UNIT	mm	TOLERANCE			TITLE	OB2 16(M) 贴片式			SHEET	1
CHECK	Emily Suen			SCALE	1:1	.x ±0.20 .xx ±0.10 .xxx ±0.05 .xxxx ±0.03 ANGULA ±1°			PART NO.	OB2-16M1-17	DWG NO.	QC3974	VERSION	A