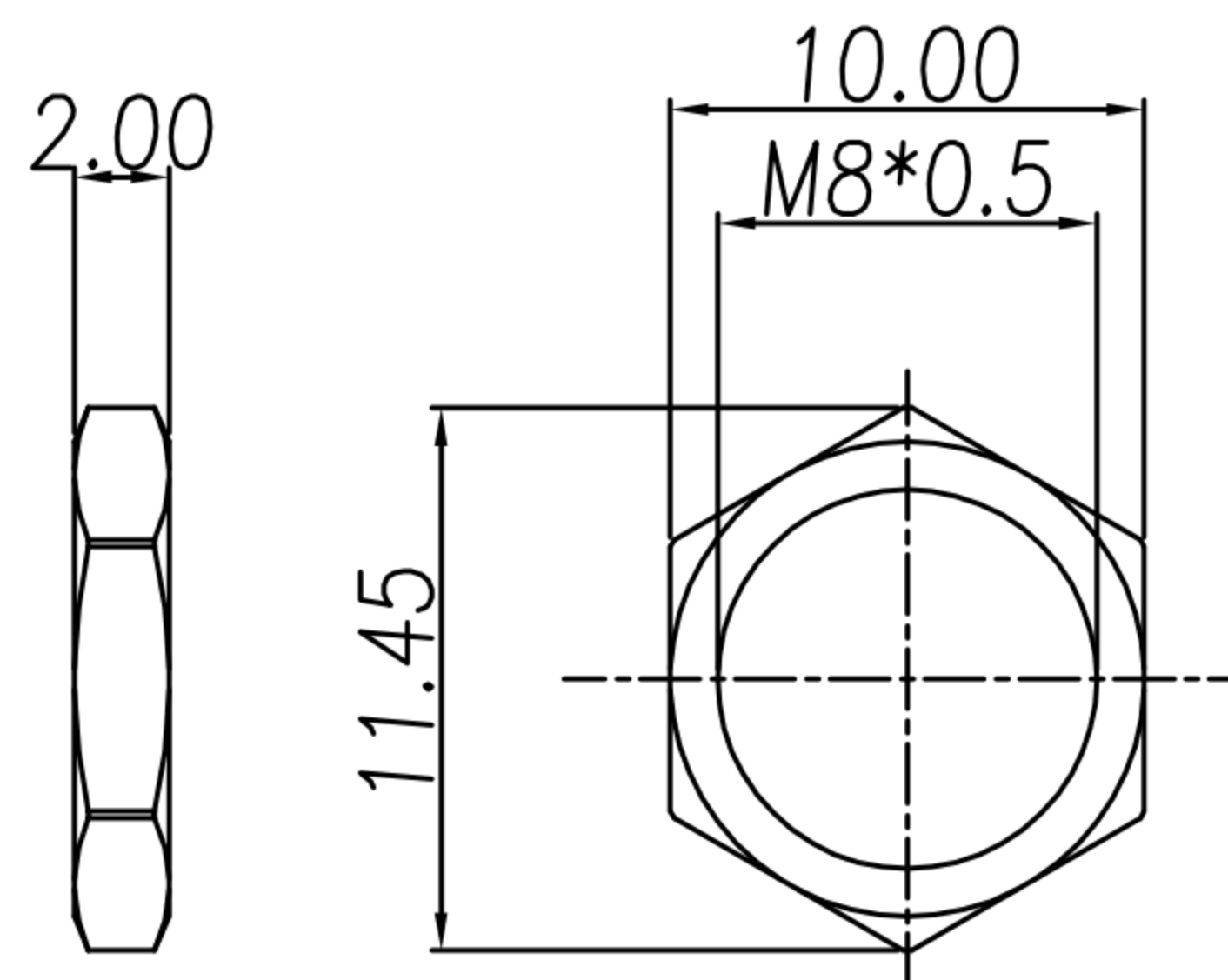
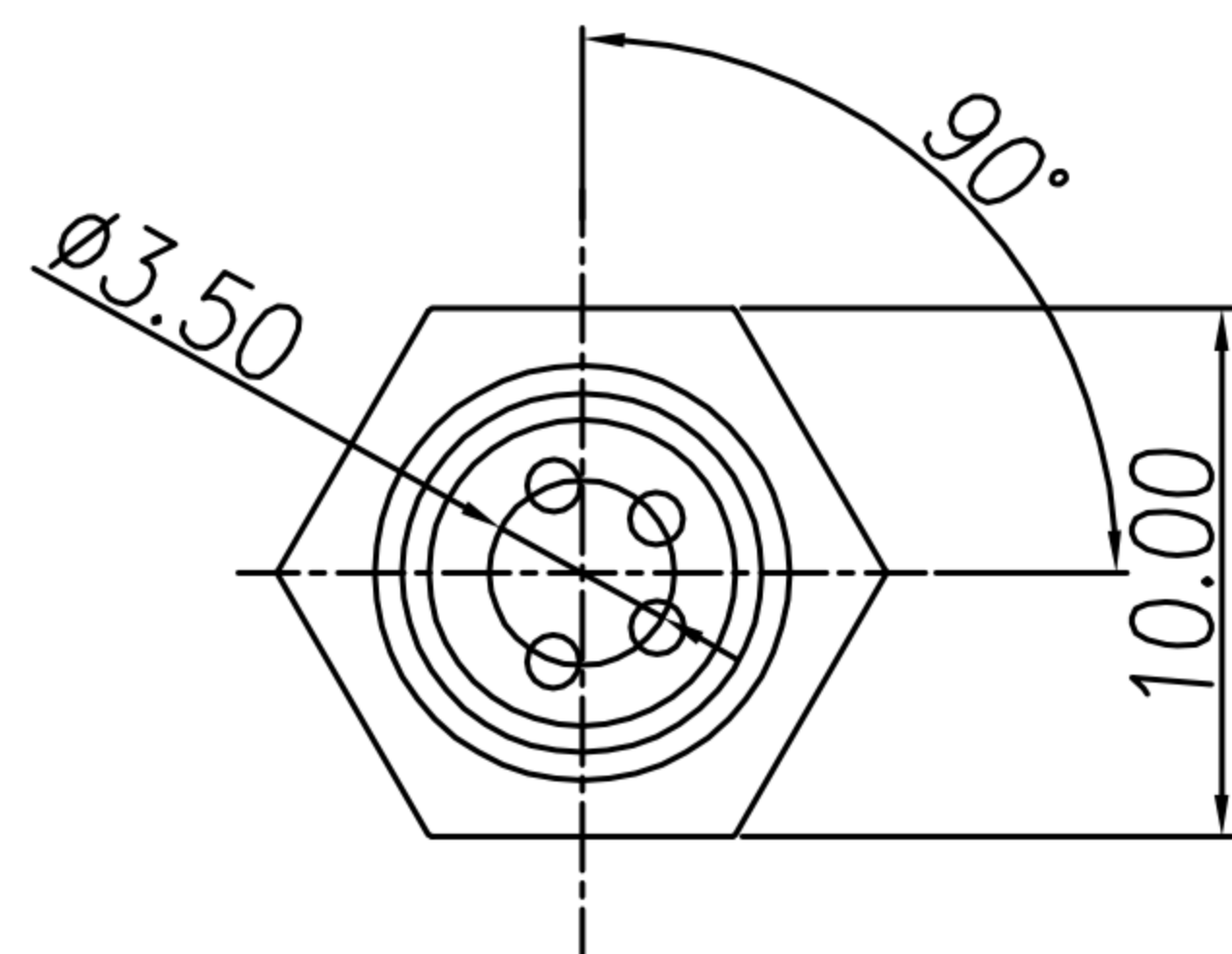
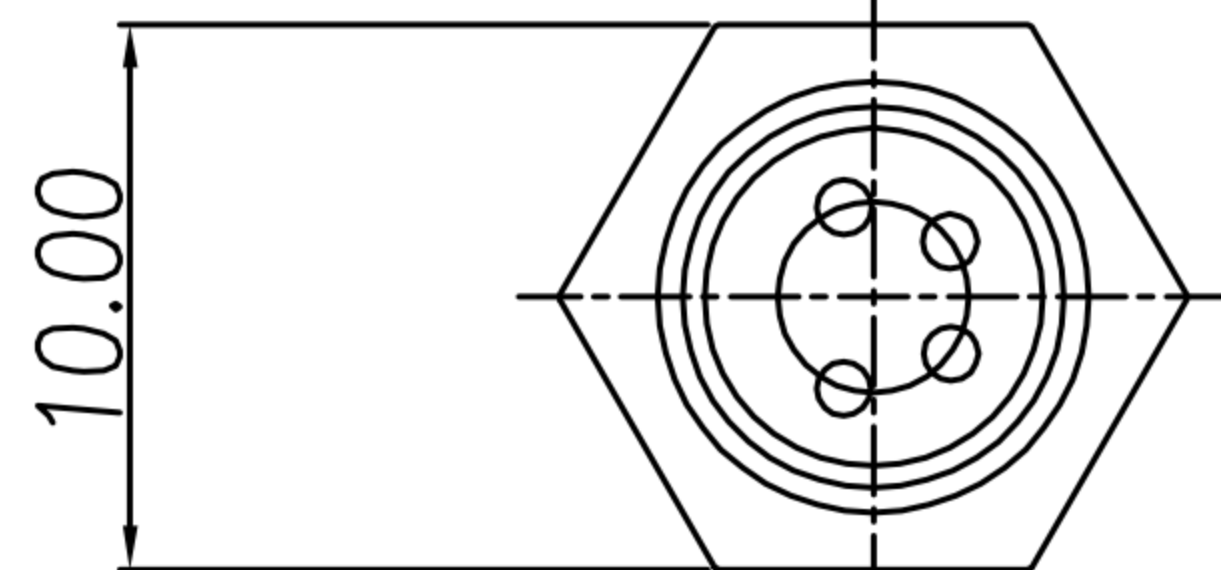
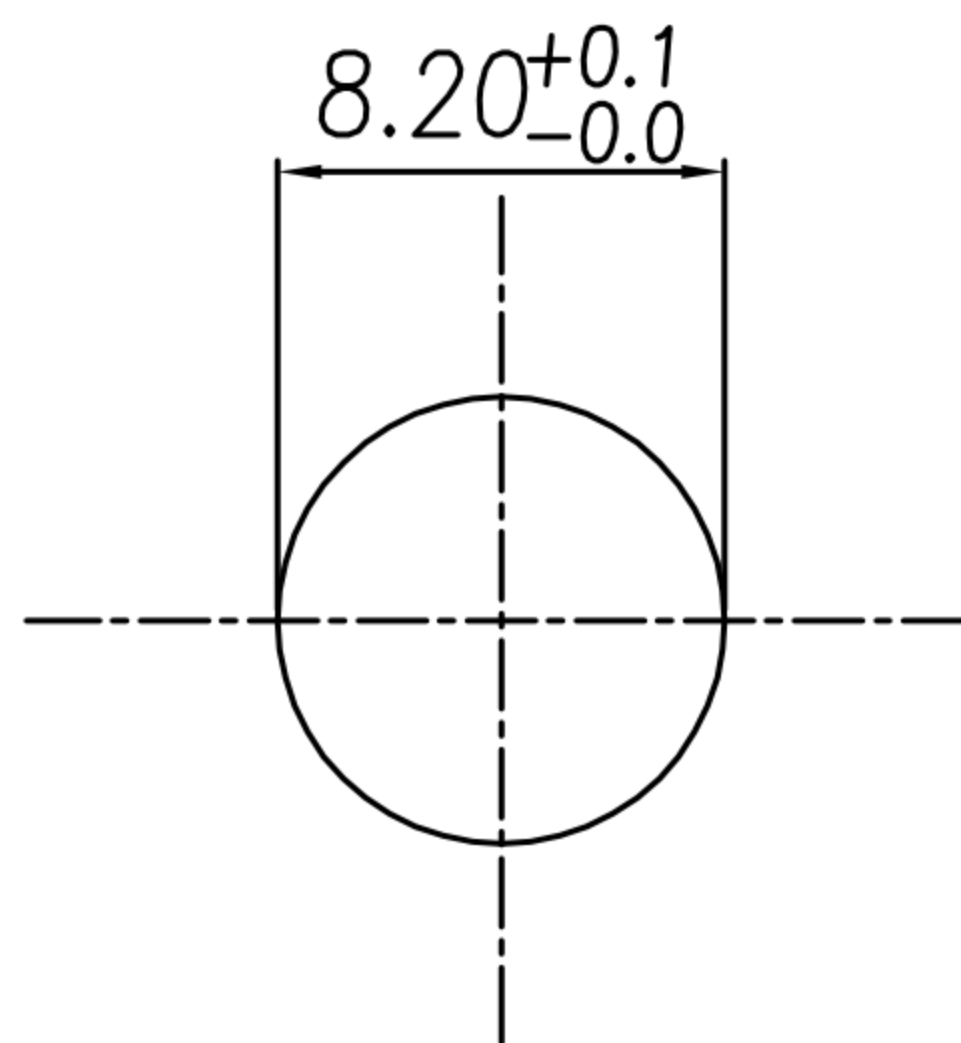
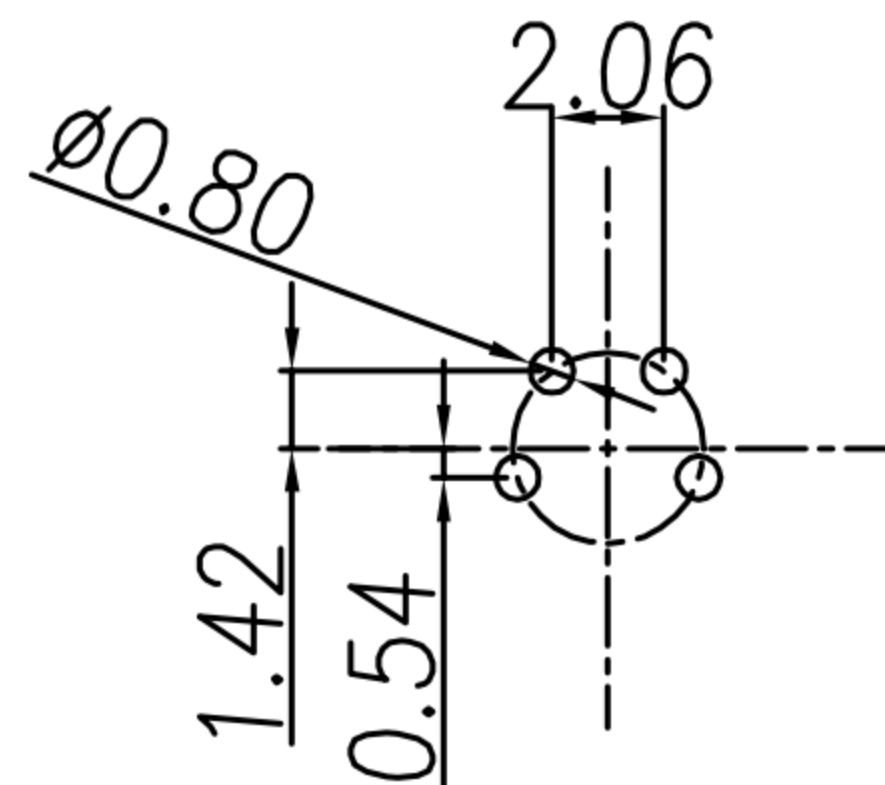
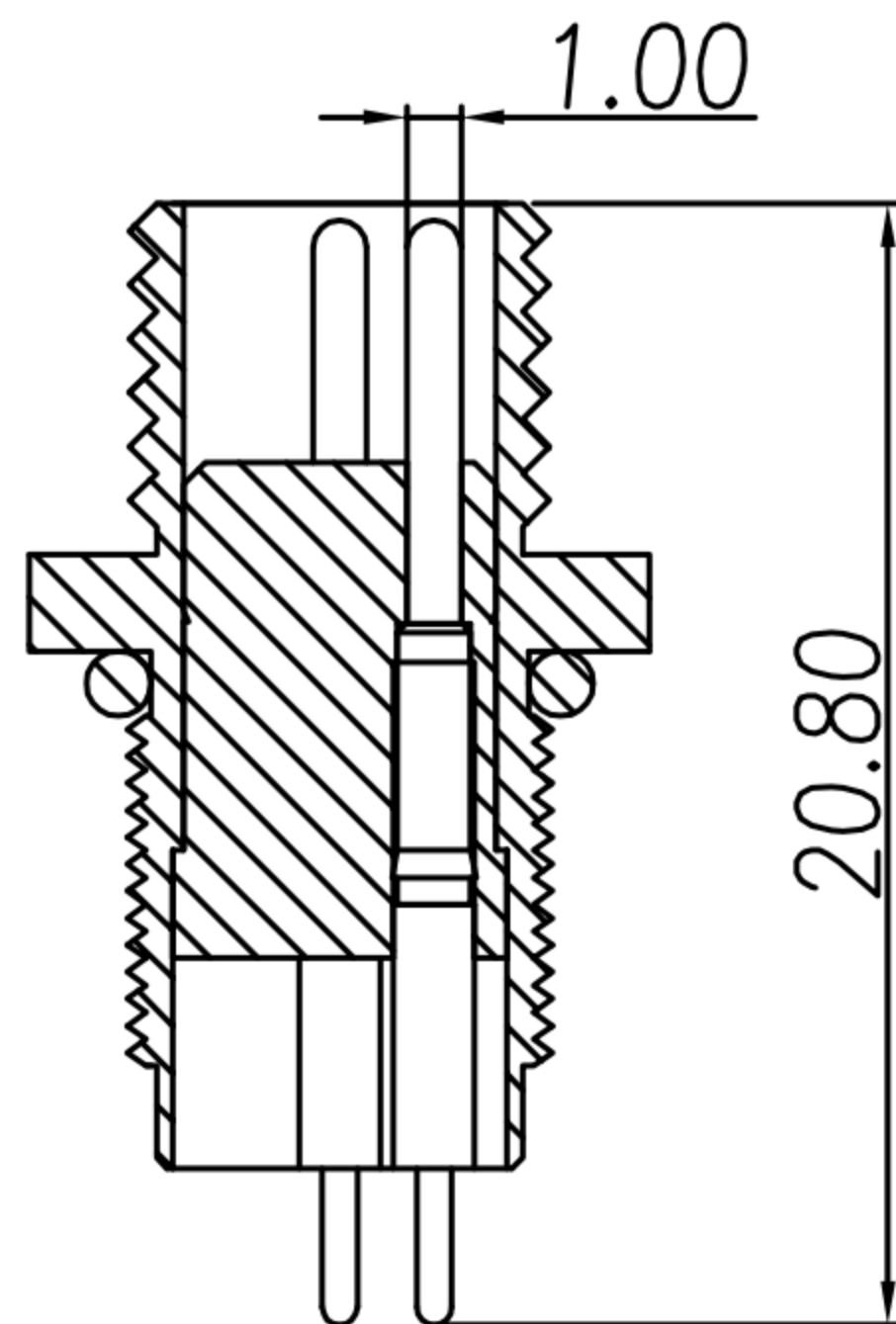
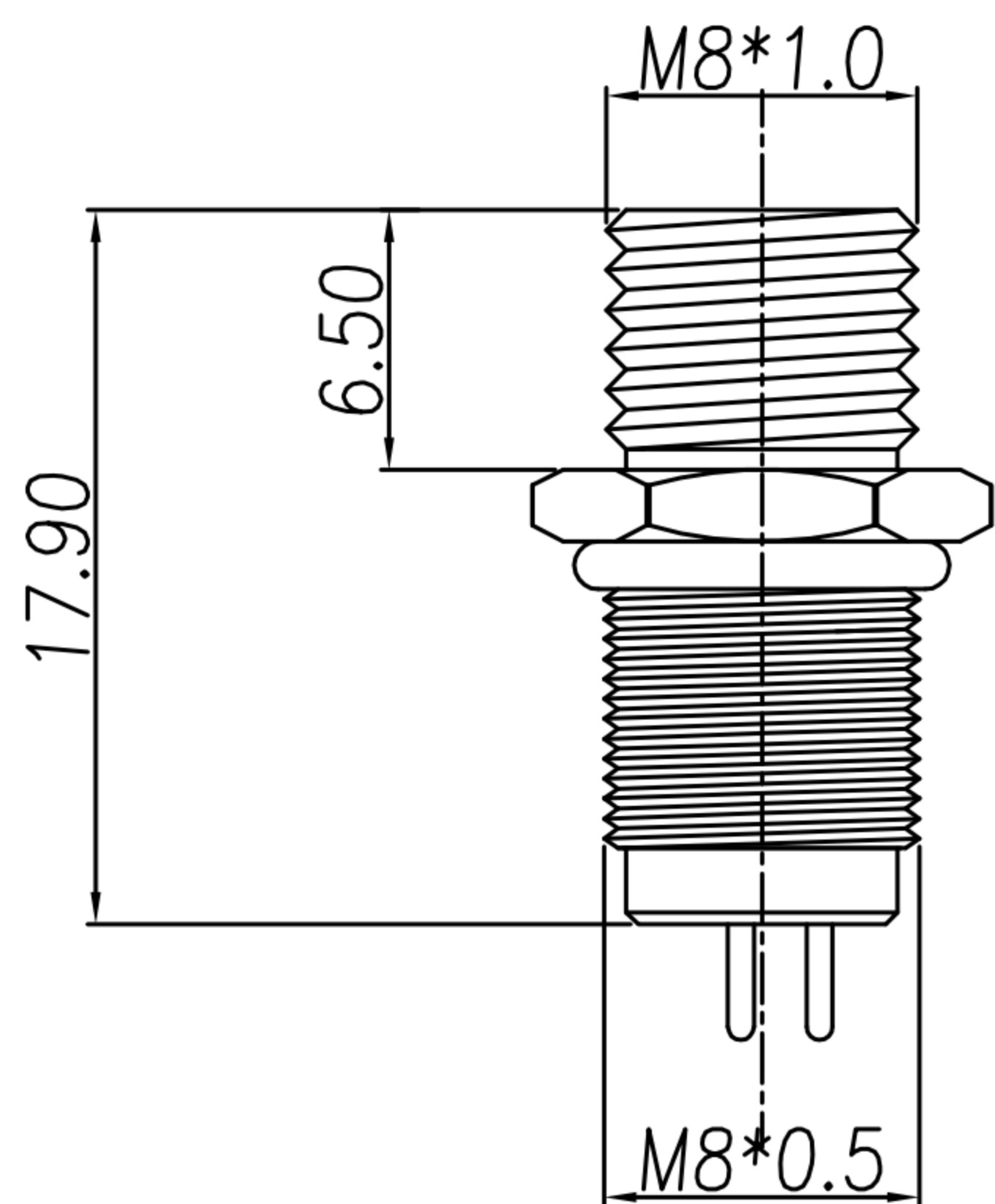
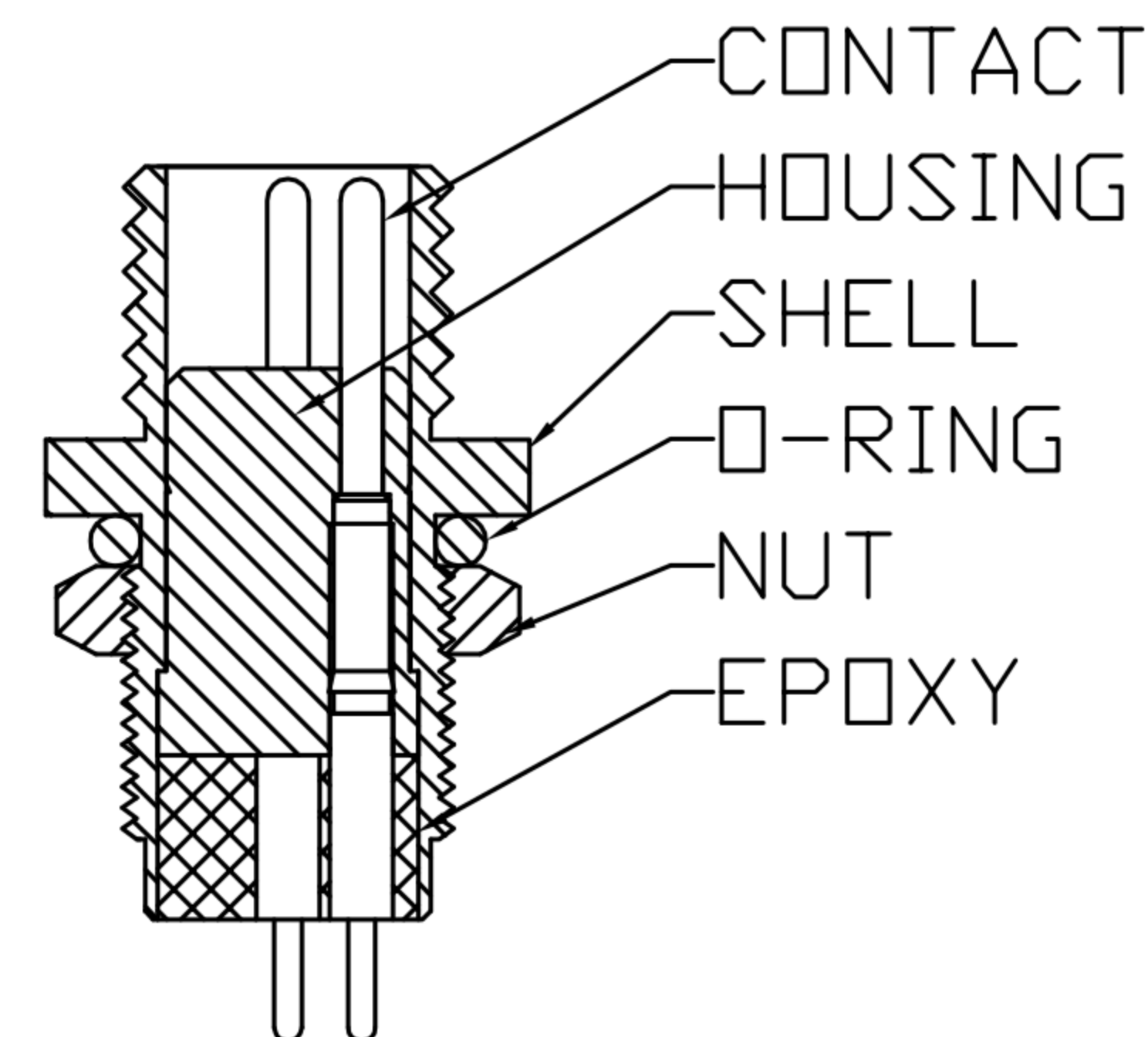


CUSTOMER DRAWING

REV.	DESCRIPTION	APPROVED BY	DATE	ECN NO.
△A	RELEASE	Fido Weng	13/06/11'	
△B				
△C				



NUT



Recommend P.C.B Layout. RECOMMEND PANEL CUT-OUT

- MATERIAL :
 - 1-1. HOUSING : PBT ; COLOR : BLACK
 - 1-2. CONTACT : BRASS.
 - 1-3. SHELL : BRASS
 - 1-4. O-RING : NBR ; COLOR : BLACK
 - 1-5. NUT : BRASS.
- FINISH :
 - 2-1. CONTACT : 10 MICRO INCHES MIN. GOLD PLATING
 - 2-2. SHELL : NICKEL PLATED.
 - 2-3. NUT : NICKEL PLATED.
- ELECTRICAL SPECIFICATION :
 - 3-1. Rated current : 4A
 - 3-2. Rated Voltage : 60V
 - 3-3. Water proof : IP67
- Environmental :
 - 4-1. Operation Temperature : -20°C~85°C

DRAWN	Ku Chou	APP'D	Fido Weng	UNIT	mm	TOLERANCE		广东科斯达电子科技有限公司 GUANG DONG KE SI DA ELECTRONIC TECHNOLOGY CO., LTD.	TITLE	M8-4(M) 接插件 (M8*0.5) DIP			SHEET	1
CHK'D	Emily Suen			SCALE	1:1	.x ±0.20 .xx ±0.10 .xxx ±0.05 .xxxx ±0.03 ANGULA ±1°			PART NO.	WP-04M2-61	DWG NO.	QC5493	VERSION	A