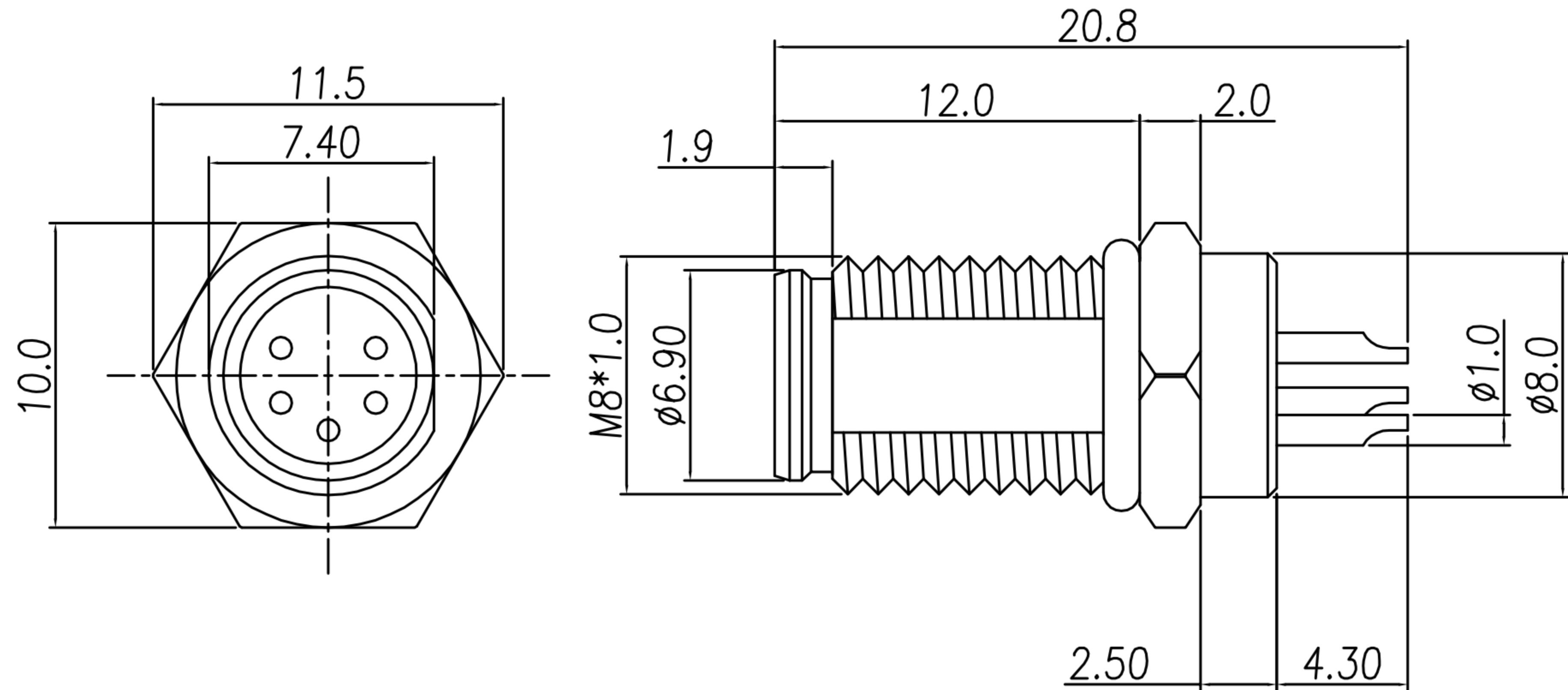


CUSTOMER DRAWING

REV.	DESCRIPTION	APPROVED BY	DATE	ECN NO.
A	RELEASE	Emily Suen	26/04/17*	
B	ADD PART NO.	Emily Suen	13/03/18*	
C	ADD PART NO.	Emily Suen	03/05/18*	



- MATERIAL :
  - 1-1. HOUSING : PBT ; COLOR : BLACK
  - 1-2. CONTACT : BRASS.
  - 1-3. SHELL : BRASS
  - 1-4. O-RING : NBR ; COLOR : BLACK
  - 1-5. NUT : BRASS.
- FINISH :
  - 2-1. CONTACT : SEE TABLE A
  - 2-2. SHELL : NICKEL PLATED.
  - 2-3. NUT : NICKEL PLATED.
- ELECTRICAL SPECIFICATION :
  - 3-1. Rated current : 2A
  - 3-2. Rated voltage : 30V
  - 3-3. Water proof : IP67
- Environmental :
  - 4-1. Operation Temperature : -40°C~105°C

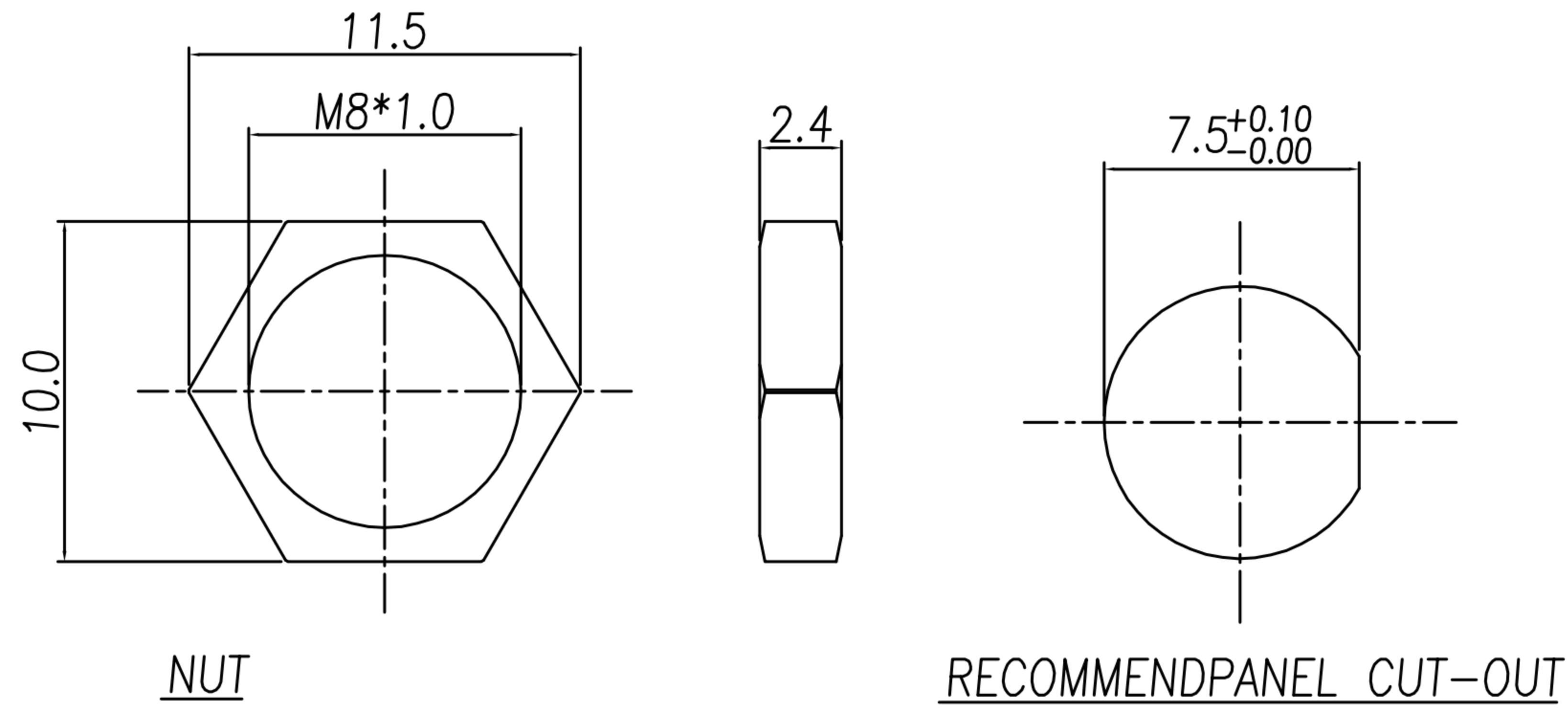


TABLE A

PART No.		FINISH	
WP-05M2-123-11 WP-05M2-115-11		WP-06M2-61-11	
A	WP-06M2-61-11	10u" GOLD PLATED / 鍍金10u"	
B	WP-05M2-123-11	GOLD FLASH PLATED / 鍍表金	
	WP-05M2-115-11	10u" GOLD PLATED / 鍍金10u"	
PART No.		FINISH	