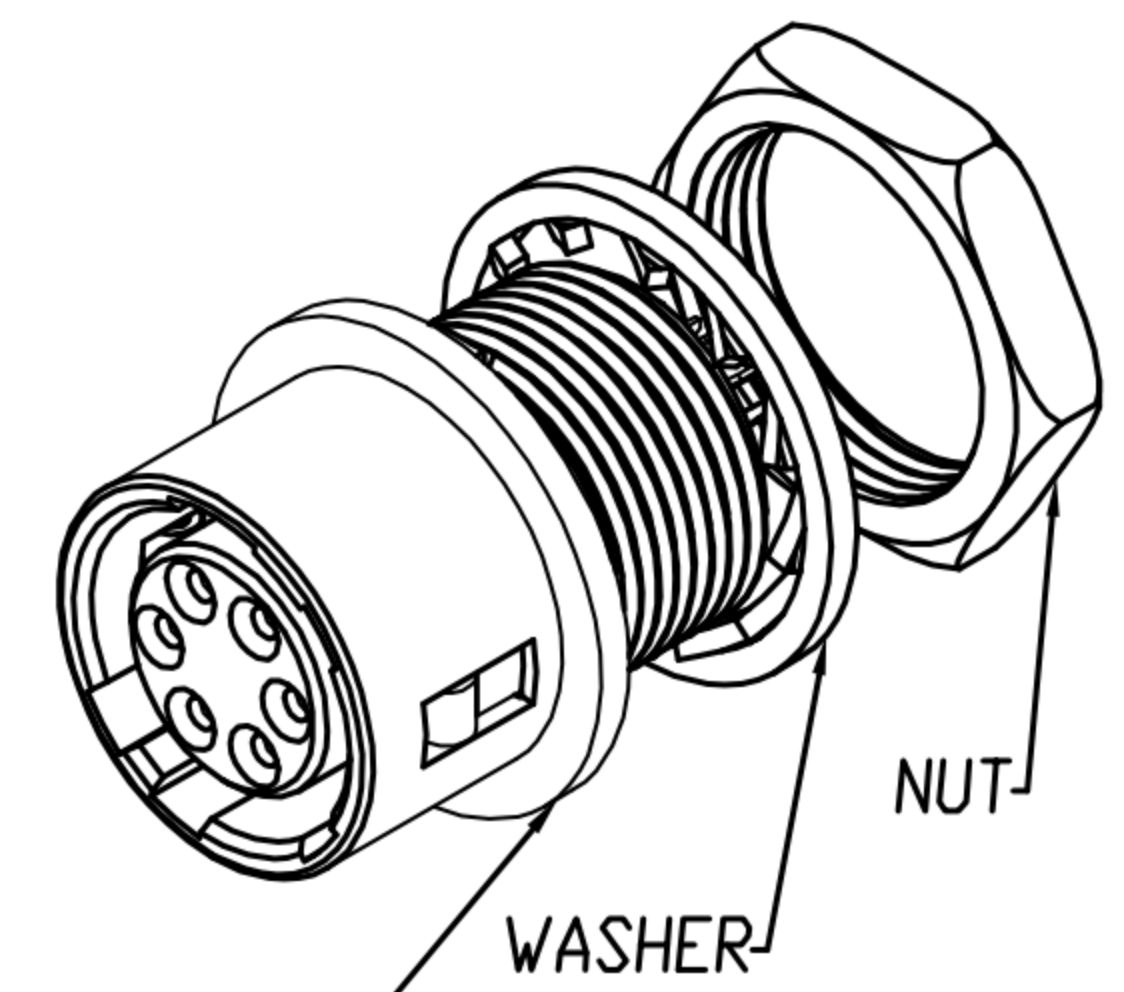
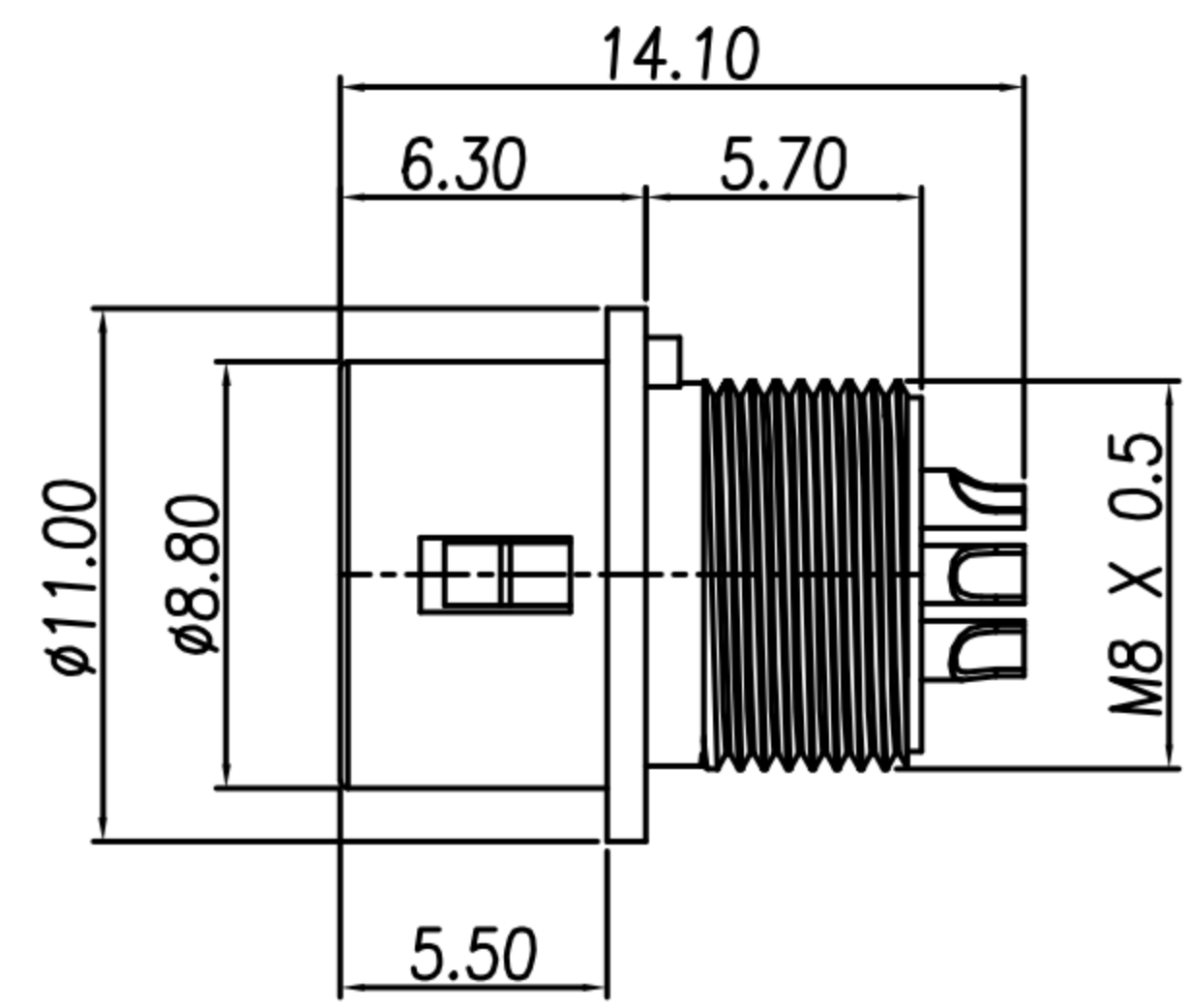
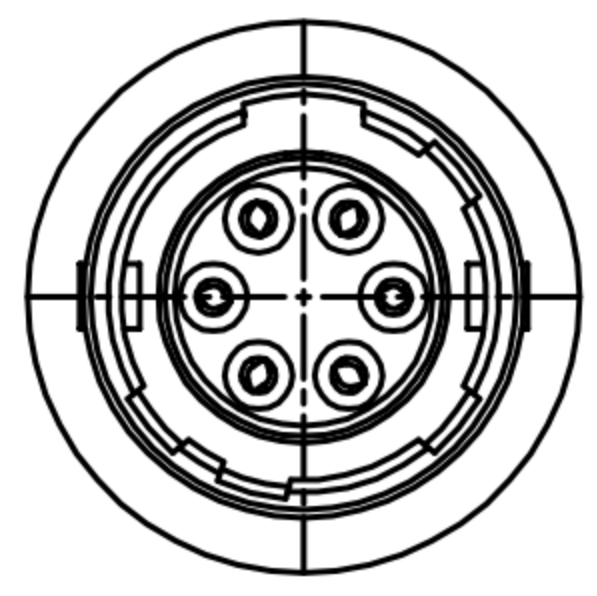
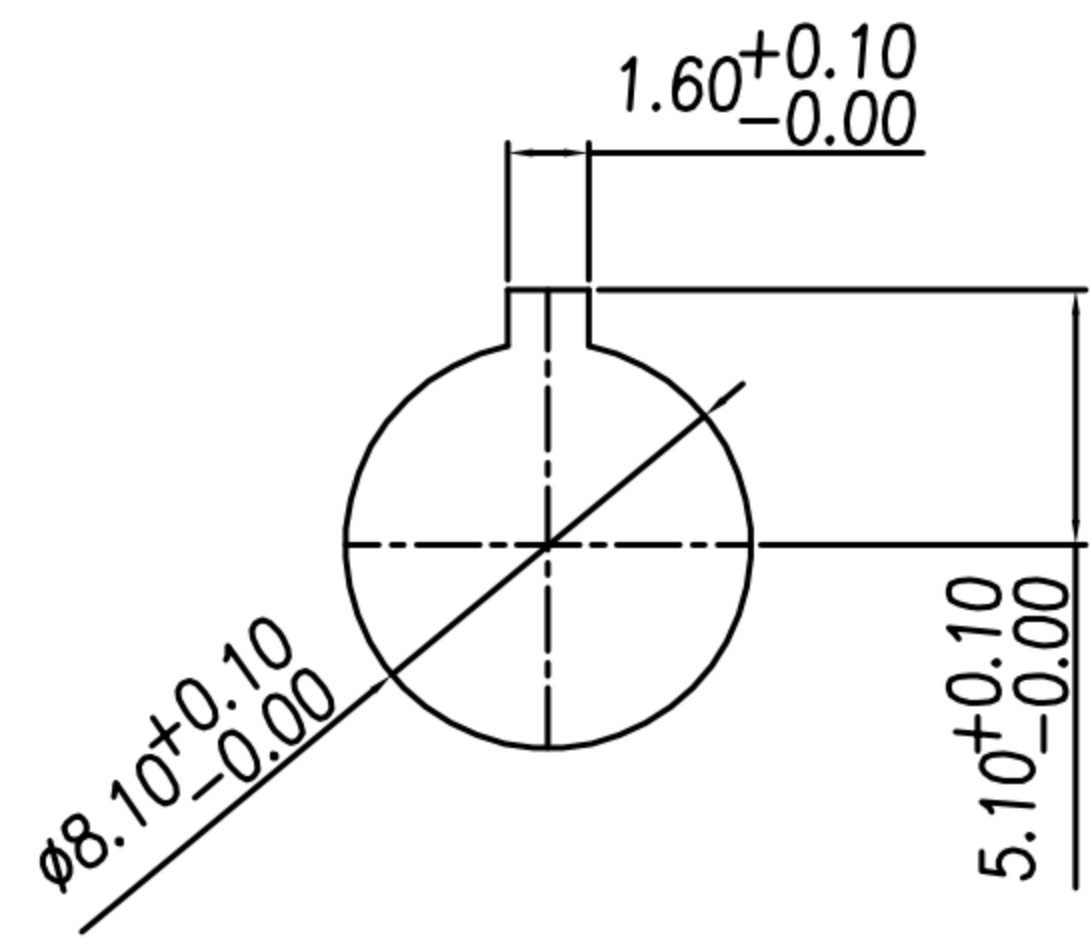
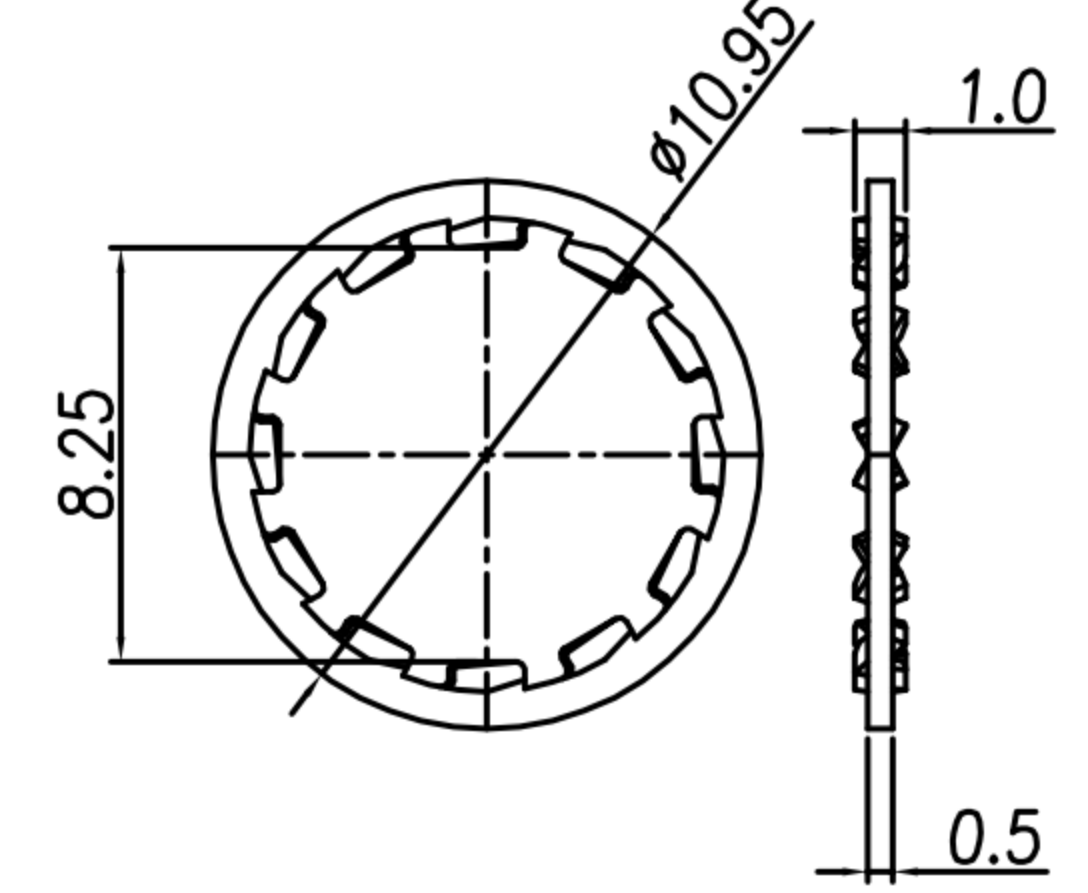


CUSTOMER DRAWING

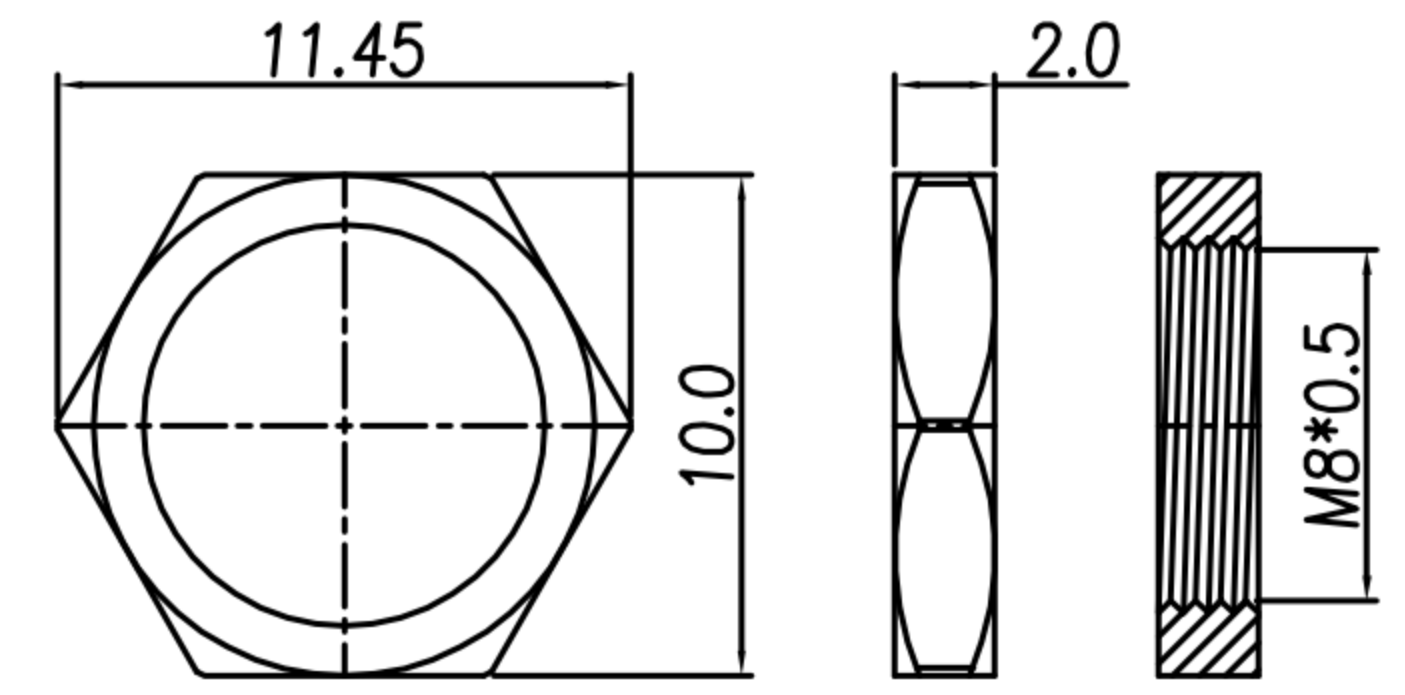
REV.	DESCRIPTION	APPROVED BY	DATE	ECN NO.
A	RELEASE	Emily Suen	22/11/11'	
B	CHANGE MATERIAL	Emily Suen	19/09/22'	
C				
D				



RECOMMENDED MOUNTING HOLE
(Panel thickness 0.7~2)



WASHER



NUT

HOUSING+CONTACT+SPRING+SHELL

NOTE:

- MATERIAL :
 - 1-1. HOUSING : NYLON66 UL94V-0; COLOR : BLACK
 - 1-2. CONTACT : PHOSPHOR BRONZE
 - 1-3. SHELL : ZINC ALLOY
 - 1-4. SPRING : STAINLESS STEEL
 - 1-5. WASHER : PHOSPHOR BRONZE
 - 1-6. NUT : BRASS
- FINISH :
 - 2-1. CONTACT : GOLD FLASH
 - 2-2. SHELL : NICKEL
 - 2-3. WASHER : NICKEL
 - 2-4. NUT : NICKEL
- ELECTRICAL SPECIFICATION & MECHANICAL PERFORMANCE
 - 3-1. Rated current : 2A
 - 3-2. Rated voltage : 4PIN 150V AC / 200V DC ;
5~7PIN 100V AC / 140V DC
 - 3-3. Insulation resistance : 1,000MΩ Min.
 - 3-4. Contact resistance : 10mΩ Max.
 - 3-5. Withstanding voltage : 4PIN AC500V for a minute
5.6.7PIN AC300V for a minute
 - 3-6. Solder Wire Spec : 26AWG~28AWG
 - 3-7. Durability : 500 cycles
- Environmental :
 - 4-1. Operation Temperature : -25℃~85℃

TABLE A

CONTACT ARRANGEMENT(FRONT VIEW)			
DI-04F2-05	DI-05F2-02	DI-06F2-06	DI-07F2-02

DRAWN	Mark Kao	APPVL	Ku Chou	UNIT	mm	TOLERANCE			广东科斯达电子科技有限公司 GUANG DONG KE SI DA ELECTRONIC TECHNOLOGY CO., LTD.	TITLE	DIN (F) RECEPTACLE 鑰匙/鑰匙式(SHELL SIZE 7mm)			SHEET	1
CHK'D	Emily Suen			SCALE	1:1					PART NO.	SEE TABLE A	DWG NO.	QC5665	VERSION	B