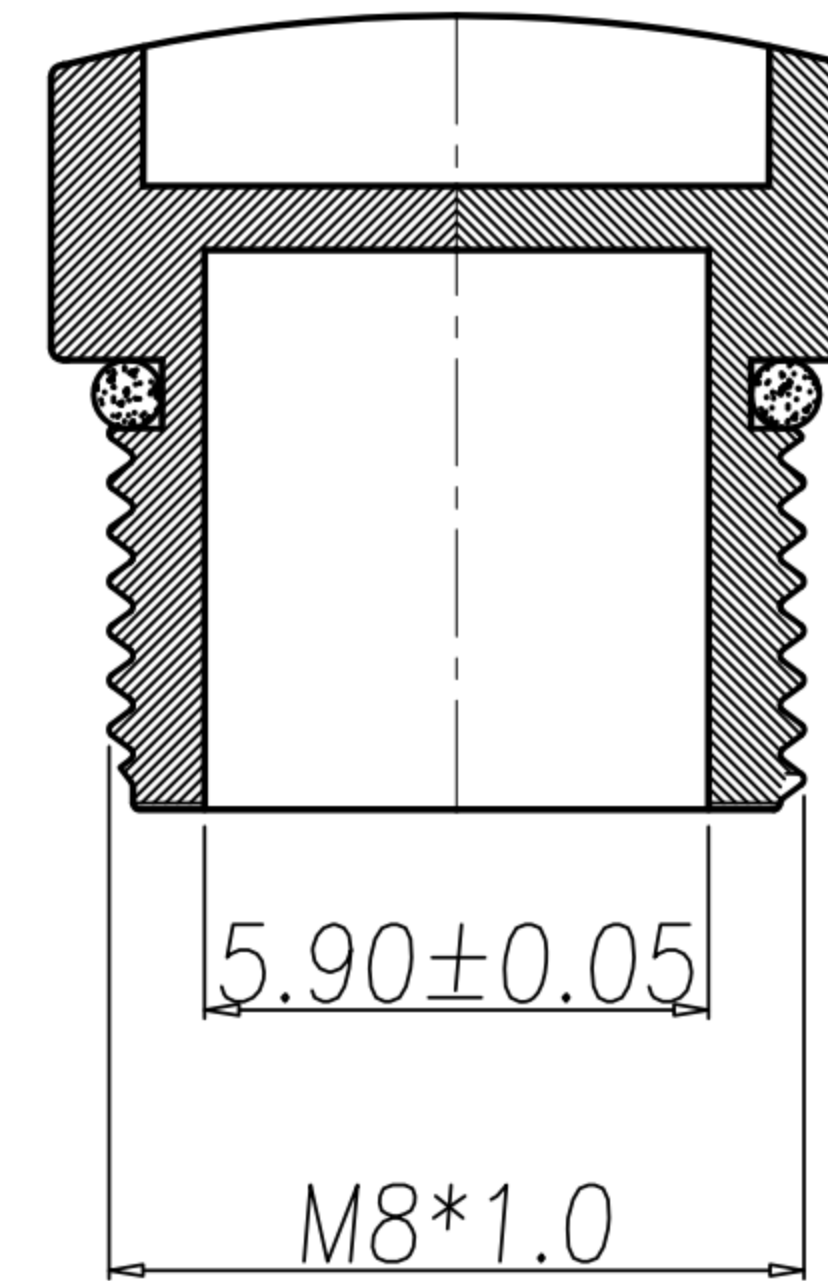
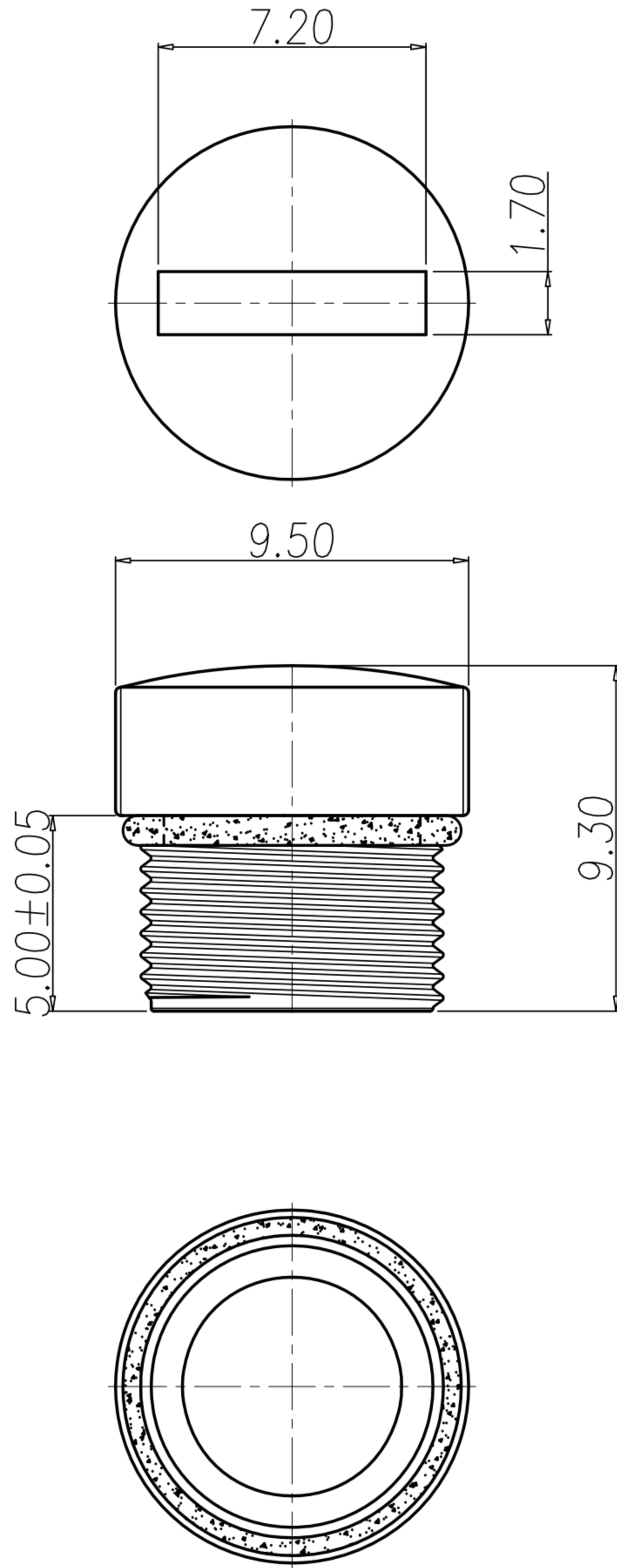


CUSTOMER DRAWING

REV.	DESCRIPTION	APPROVED BY	DATE	ECN NO.
A	RELEASE	Fido Weng	22/12/08'	
B				
C				



- MATERIAL :
  - HOUSING : PBT UL94V-0 ; COLOR : BLACK
  - O-RING : NBR ; COLOR : BLACK
- Housing Cannot have the shrinkage, the fragments, the lack materials , and so on undesirable tendency
- The male and female spiral tooth must to turn smoothly.

DRAWN	Emily Suen	APP'D	Fido Weng	UNIT	mm	TOLERANCE		广东科斯达电子科技有限公司 GUANG DONG KE SI DA ELECTRONIC TECHNOLOGY CO., LTD.	TITLE	WP M8 COVER(PBT)+O-ring			SHEET	
CHK'D	Emily Suen			SCALE	1:1	.x ±0.20 .xx ±0.10 .xxx ±0.05 .xxxx ±0.03 ANGULA ±1°			PART NO.	NY-WP059	DWG NO.	QC1334	VERSION	