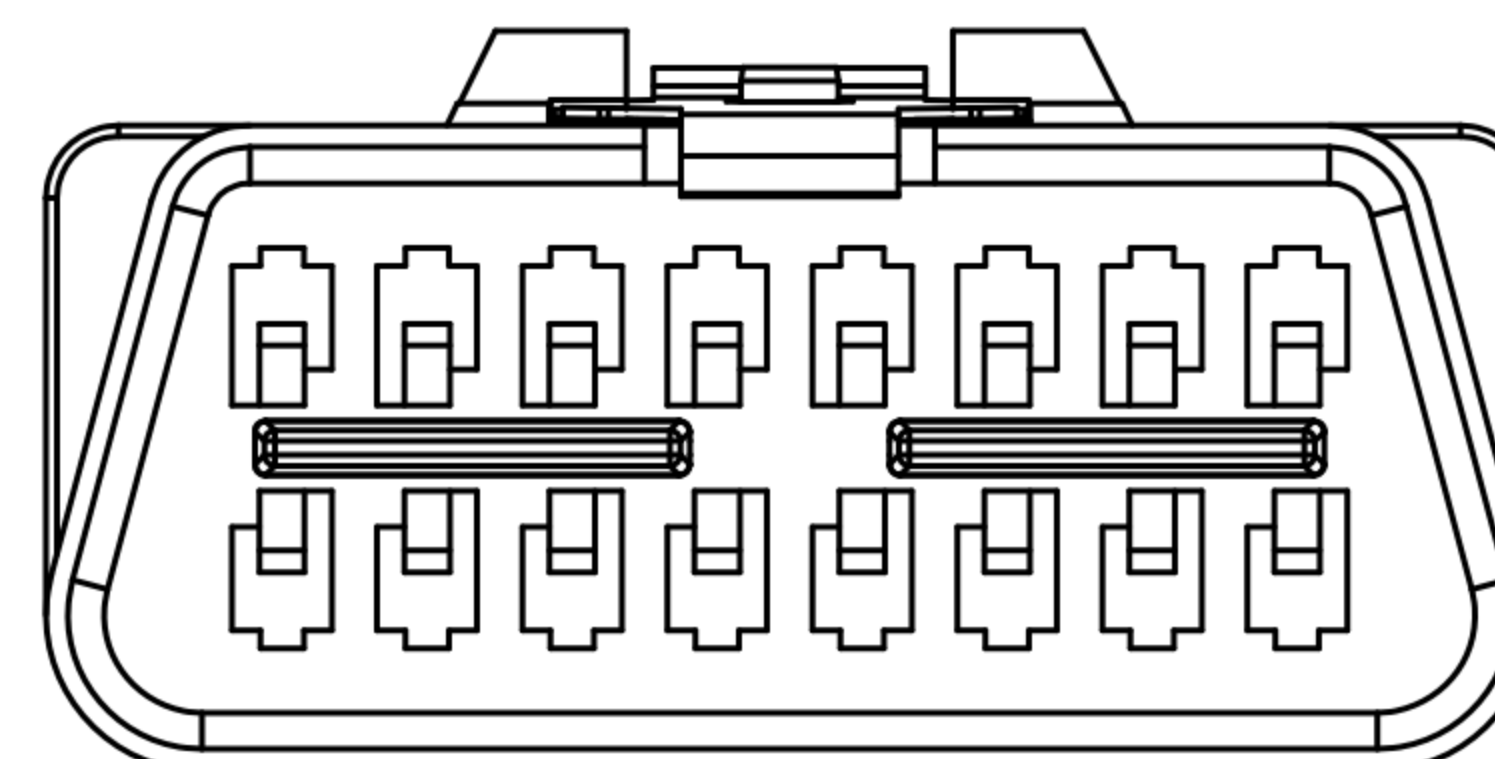
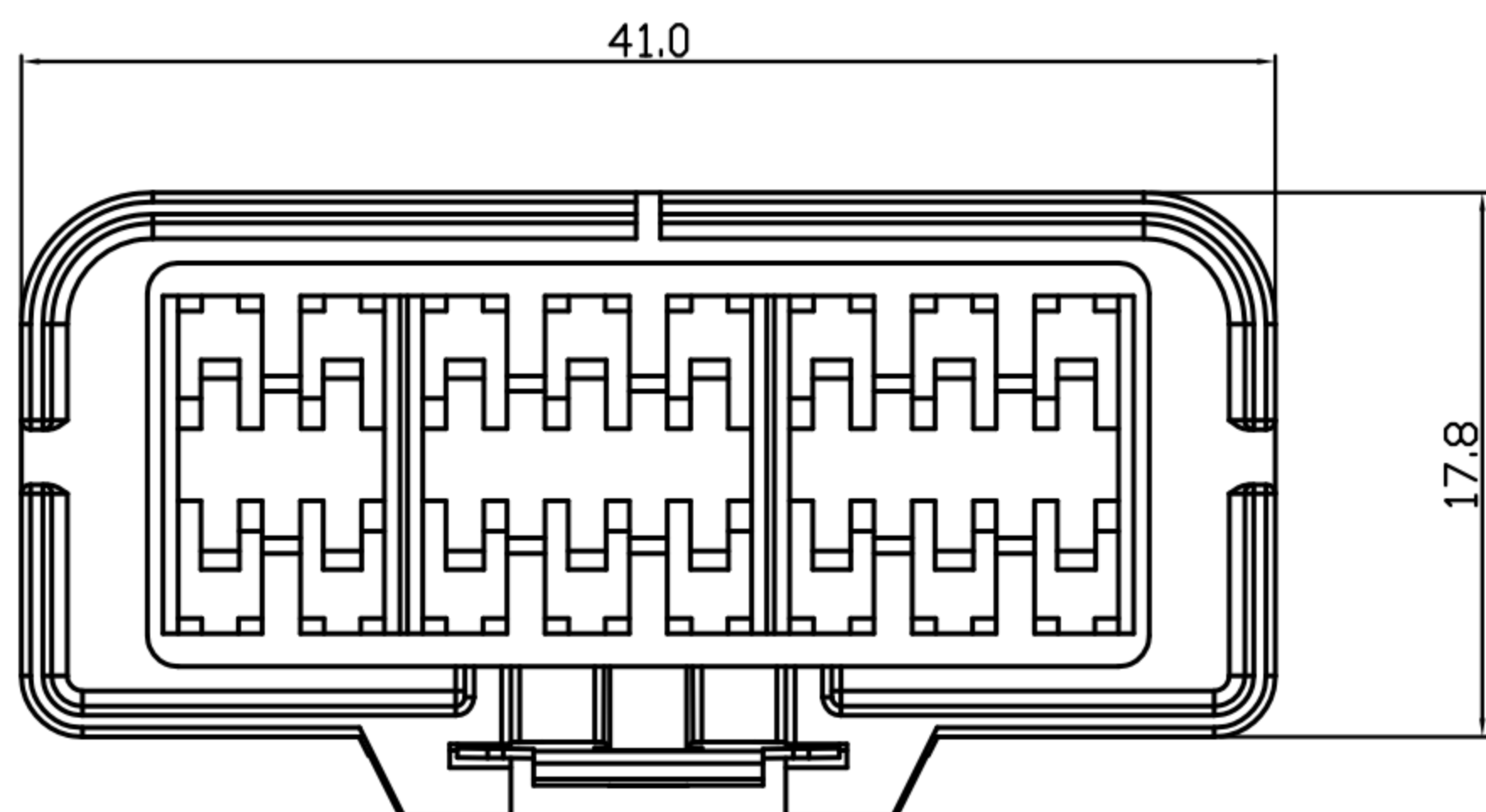
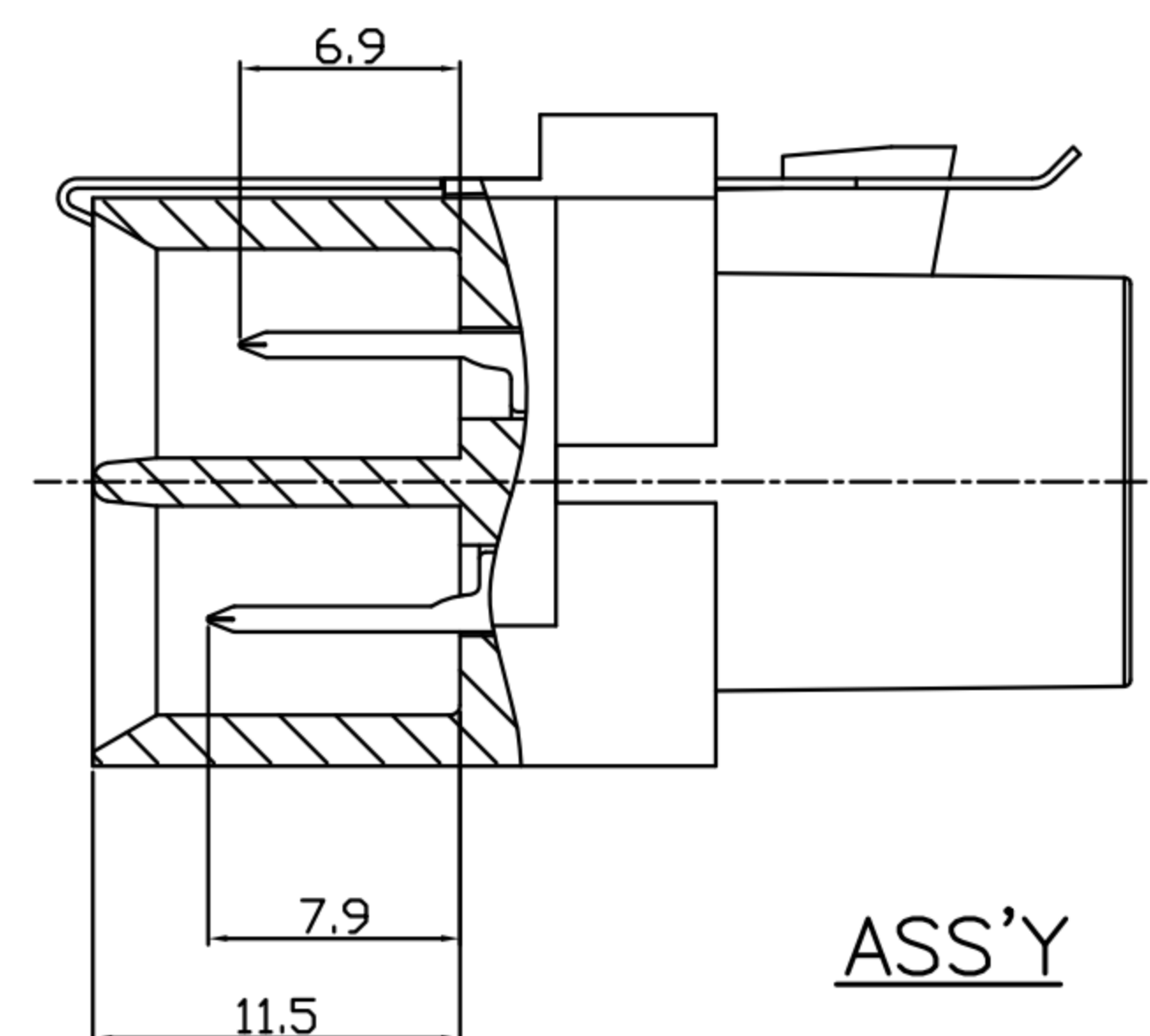
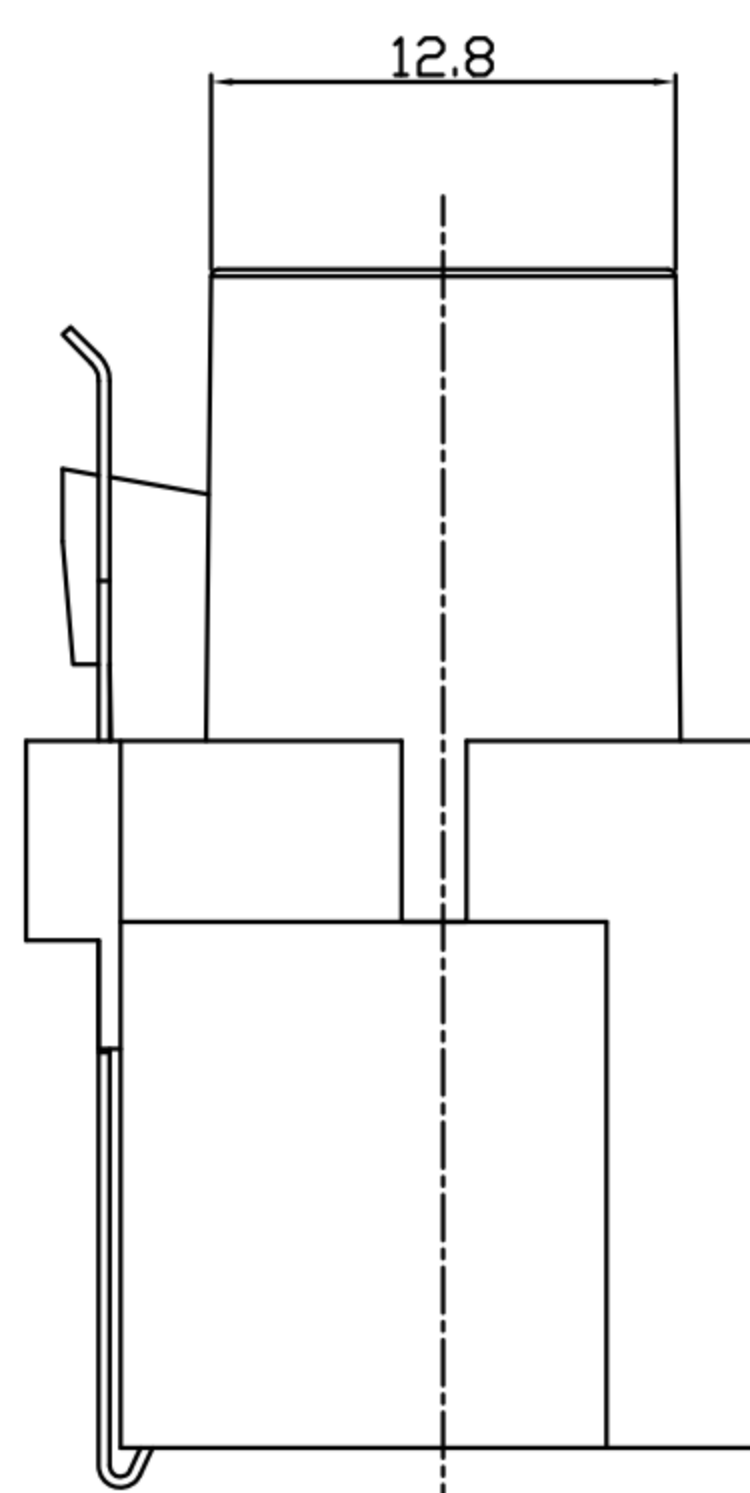
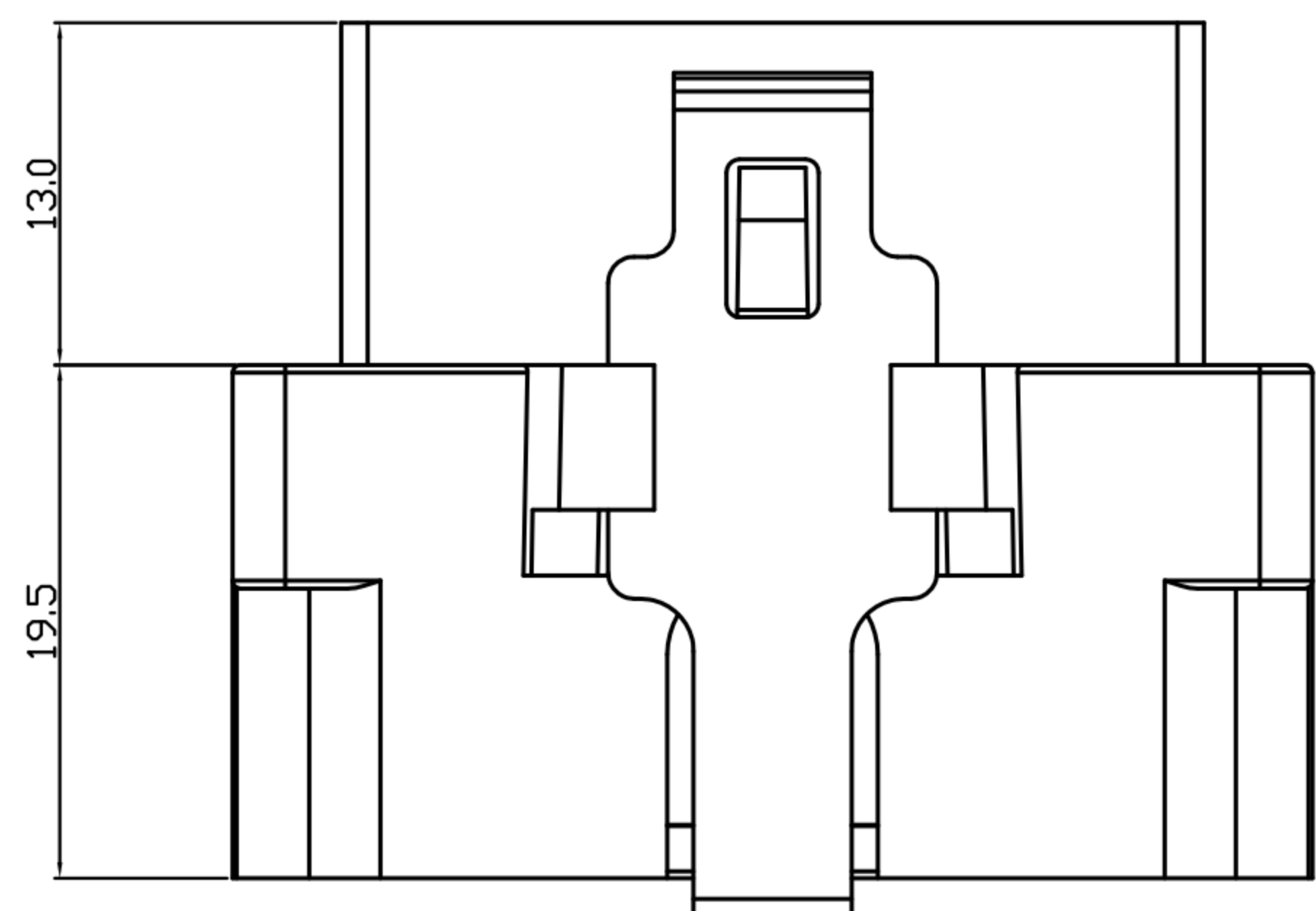


CUSTOMER DRAWING

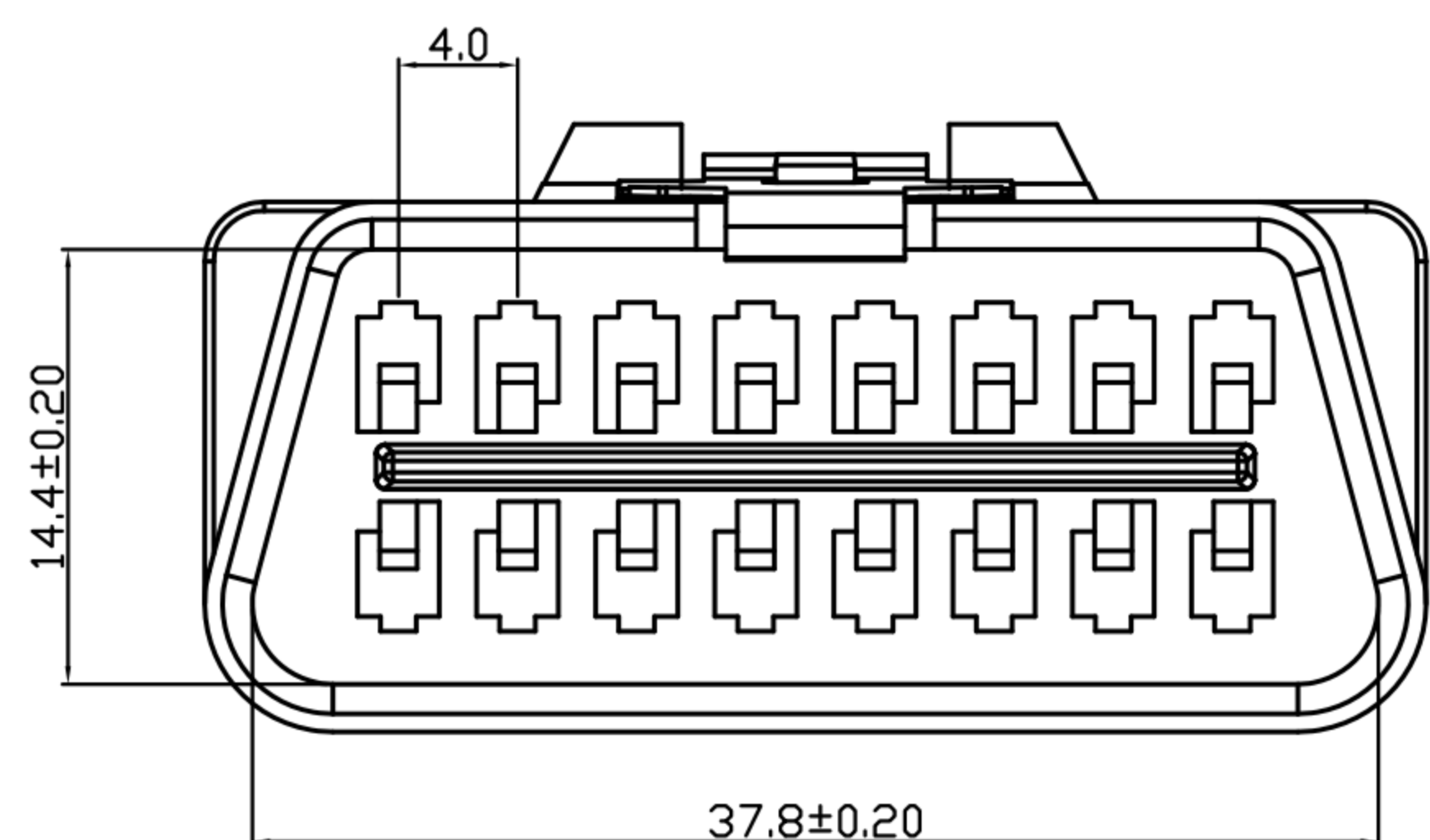
REV.	DESCRIPTION	APPROVED BY	DATE	ECN NO.
△A	RELEASE	Yeh Chou	2021/12/23	
△B				
△C				
△D				



NY-TE212-01 (24V)



ASS'Y



- MATERIAL :
 - 1-1. HOUSING : PBT UL94 V-0 ; COLOR : BLACK
 - 1-2. CONTACT : PHOSPHORUS BRONZE
 - 1-3. SPRING : STAINLESS STEEL
- FINISH :
 - 2-1. CONTACT : BRIGHT TIN 100u"

DRAWN	YEH CHOU	APP'D	KU CHOU	UNIT	mm	TOLERANCE		广东科斯达电子科技有限公司 GUANG DONG KE SI DA ELECTRONIC TECHNOLOGY CO., LTD.	TITLE	DBD2 (M) 16PIN SPRING TYPE CONN			SHEET
CHK'D	KU CHOU			SCALE	1:1	.x ±0.20 .xx ±0.10 .xxx ±0.05 .xxxx ±0.03 ANGULA ±1°			PART NO.	NY-TE211-01	DWG NO.	QC10319	VERSION