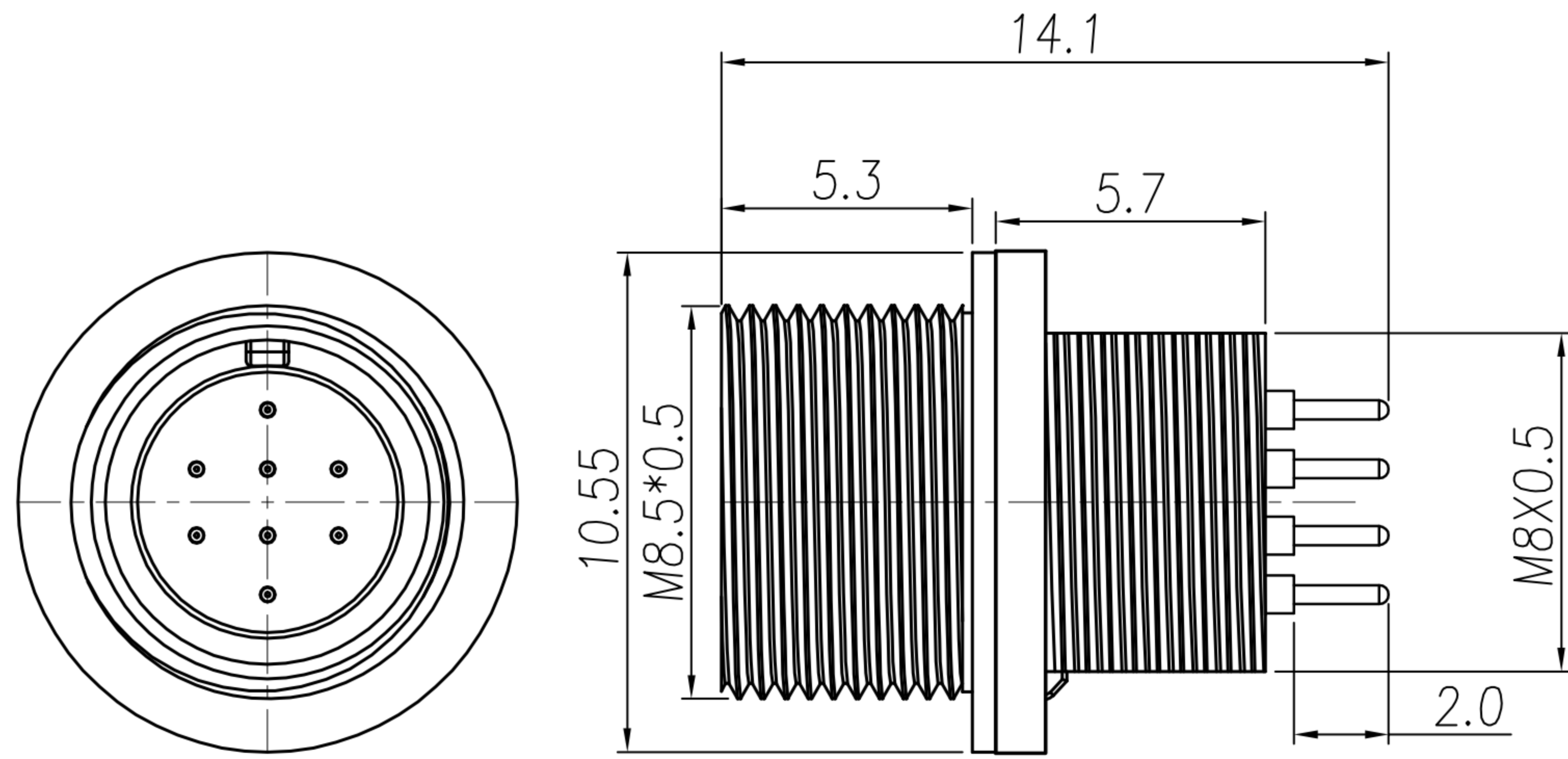
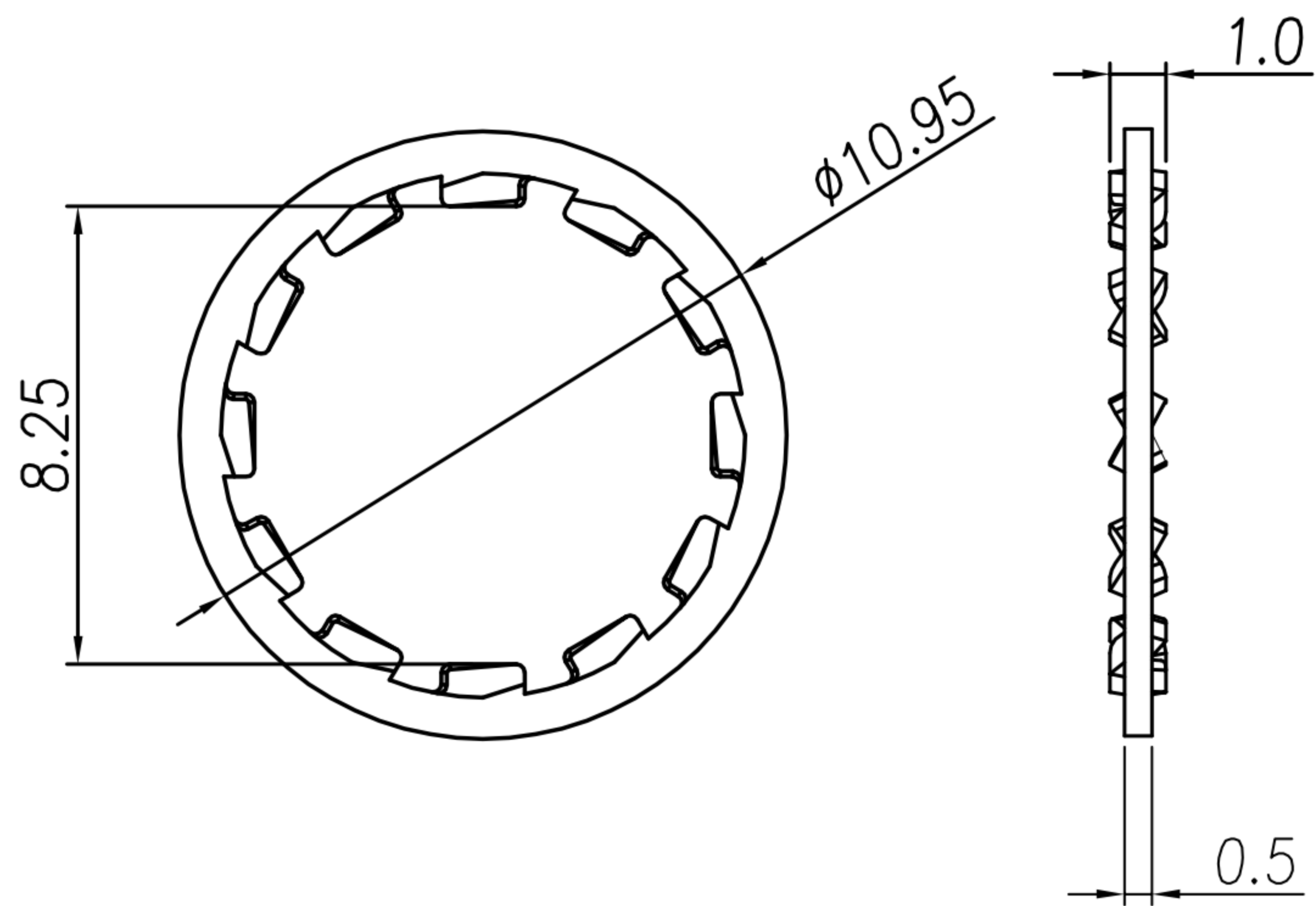


CUSTOMER DRAWING

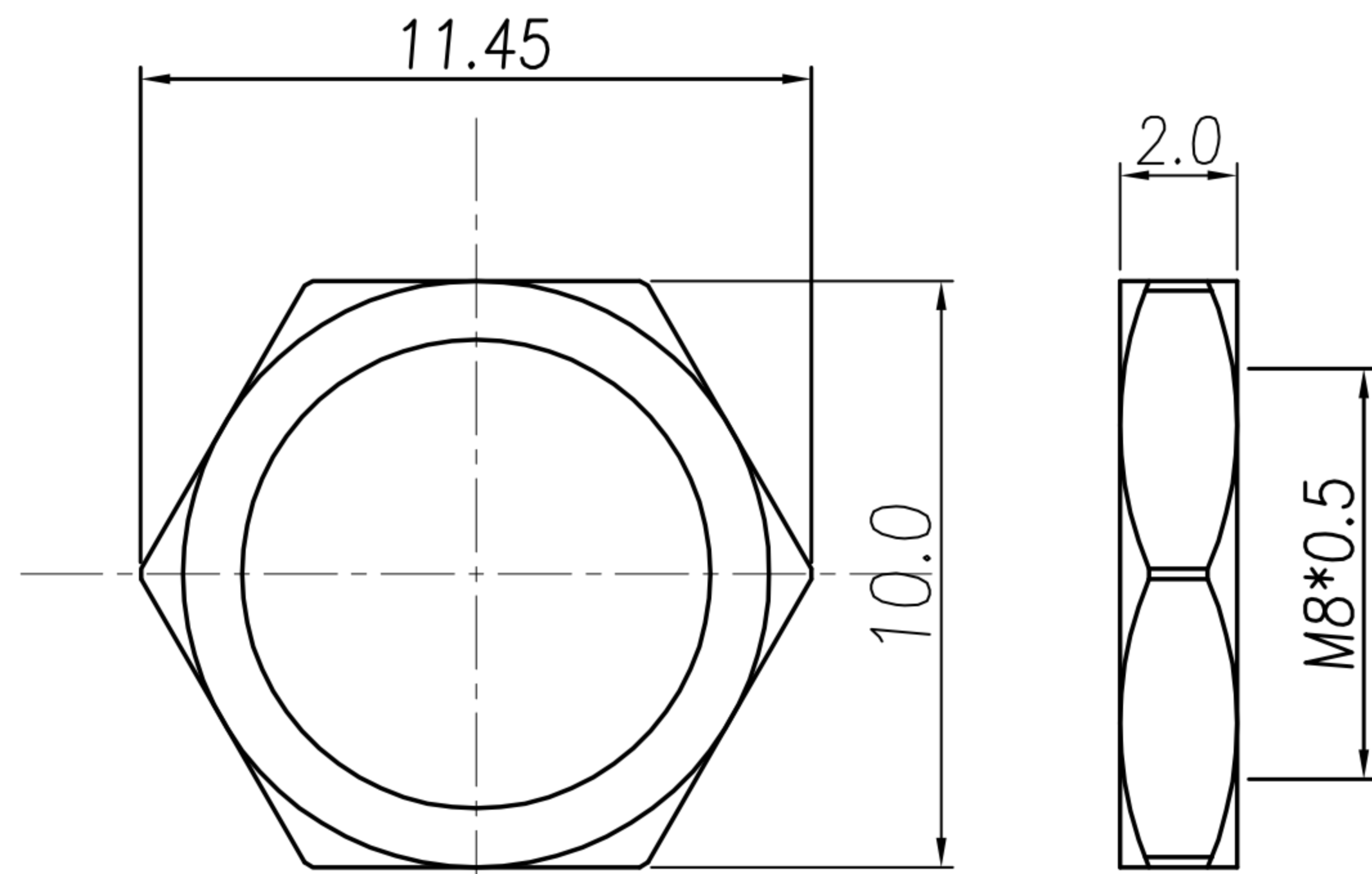
REV.	DESCRIPTION	APPROVED BY	DATE	ECN NO.
A	RELEASE	Emily Suen	30/12/11'	
B	CHANGE CONTACT PLATED	Ku Chou	10/06/19	ECN-19006
C				



HOUSING+CONTACT+SHELL+O-RING



WASHER



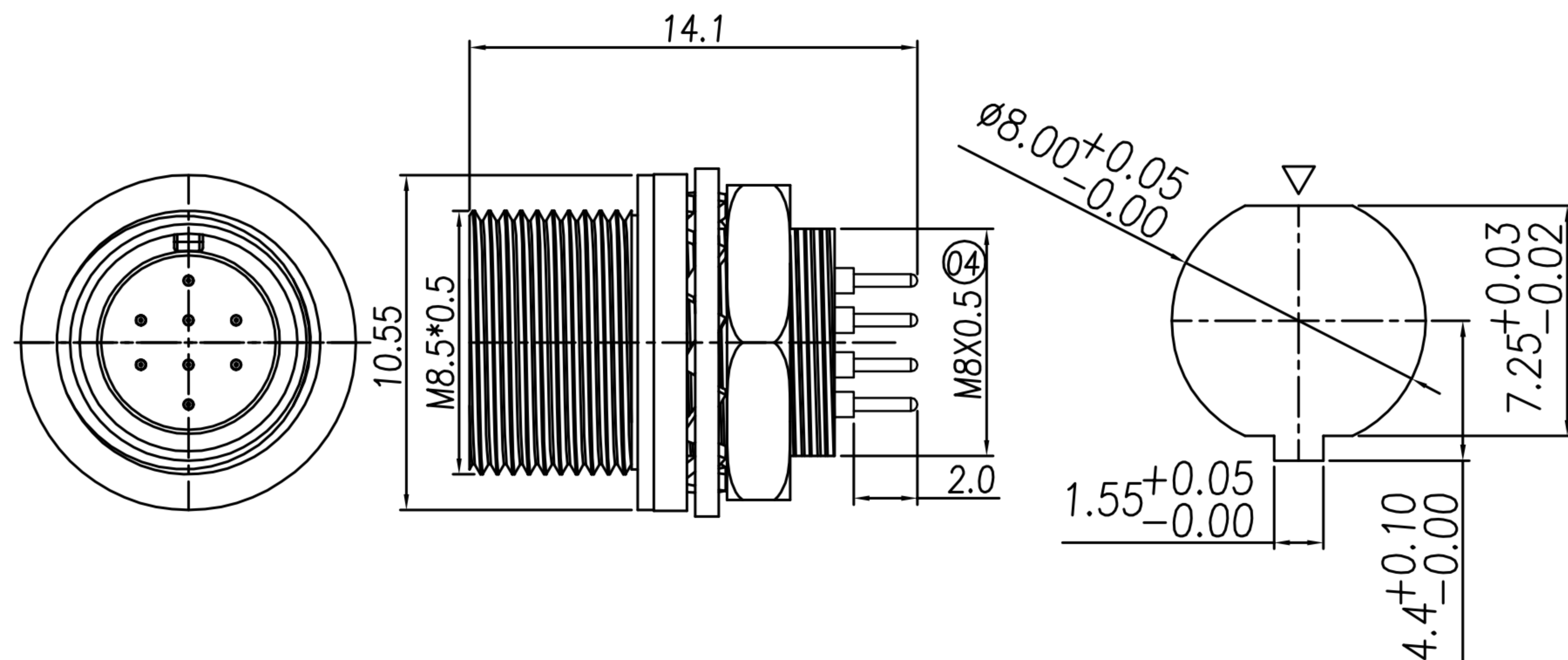
NUT

DRAWN	Mark Kao	APPEND	Ku Chou	UNIT	mm	TOLERANCE		广东科斯达电子科技有限公司 GUANG DONG KE SI DA ELECTRONIC TECHNOLOGY CO., LTD.	TITLE	DIN M8*0.5 (M) 螺母(SHELL:RECEPTACLE)			SHEET	2
CHKED	Emily Suen			SCALE	1:1	.x ±0.20 .xx ±0.10 .xxx ±0.05 .xxxx ±0.03 ANGULA ±1°			PART NO.	SEE TABLE	DWG NO.	QC5639	VERSION	B

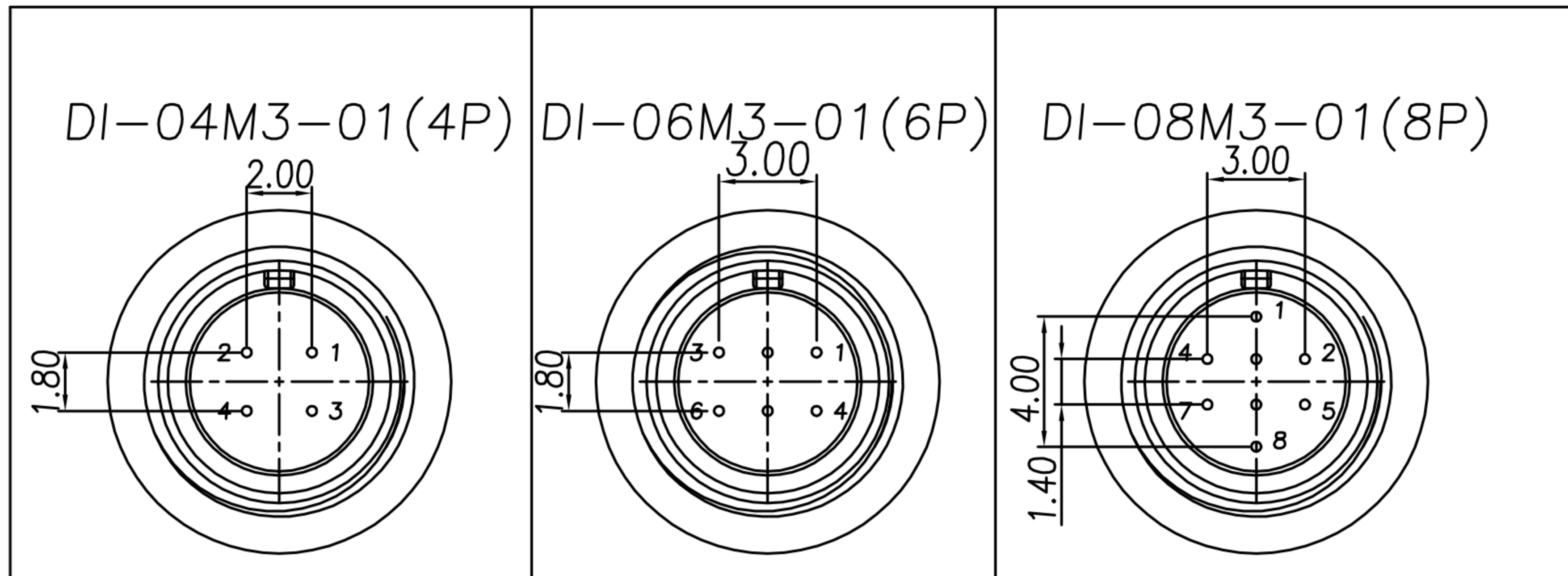
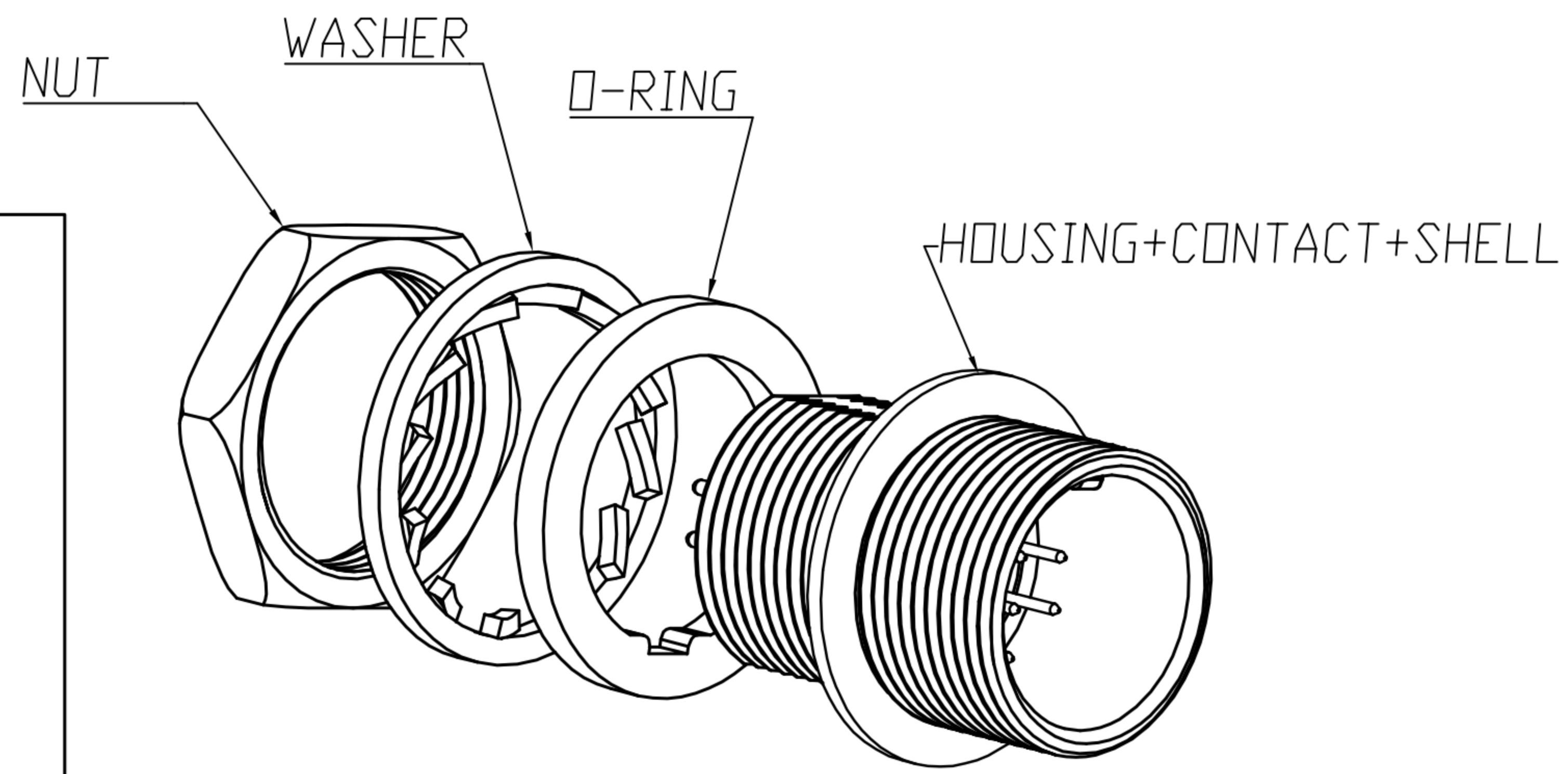
CUSTOMER DRAWING

REV.	DESCRIPTION	APPROVED BY	DATE	ECN NO.
△A	RELEASE	Emily Suen	30/12/11'	
△B	CHANGE CONTACT PLATED	Ku Chou	10/06/19	ECN-19006
△C	CHANGE MATERIAL	Ku Chou	16/09/22'	

- MATERIAL :
 - △C 1-1. HOUSING : NYLON 66 ; COLOR : BLACK
 - 1-2. CONTACT : BRASS
 - 1-3. SHELL : Zinc Alloy
 - 1-4. O-RING : EPDM ; COLOR : BLACK
 - 1-5. NUT : BRASS
 - 1-6. WASHER : BRASS
- FINISH :
 - 2-1. CONTACT : 10u" MIN. GOLD PLATED △B
 - UNDER PLATE : NICKEL
 - 2-2. SHELL : NICKEL PLATED .
 - 2-3. NUT : NICKEL PLATED.
- ELECTRICAL SPECIFICATION :
 - 3-1. Rated current : 1A
 - 3-2. Rated voltage : 30V AC , 42V DC
- Environmental :
 - 4-1. Operation Temperature : -25℃~85℃



RECOMMEND PANEL CUT-OUT



DRAWN	Mark Kao	APPEND	Ku Chou	UNIT	mm	TOLERANCE			TITLE	DIN M8*0.5 (M) 插孔(SHELL:RECEPTACLE)			SHEET	1/2
CHKED	Emily Suen			SCALE	1:1				PART NO.	SEE TABLE	DWG NO.	QC5639	VERSION	C