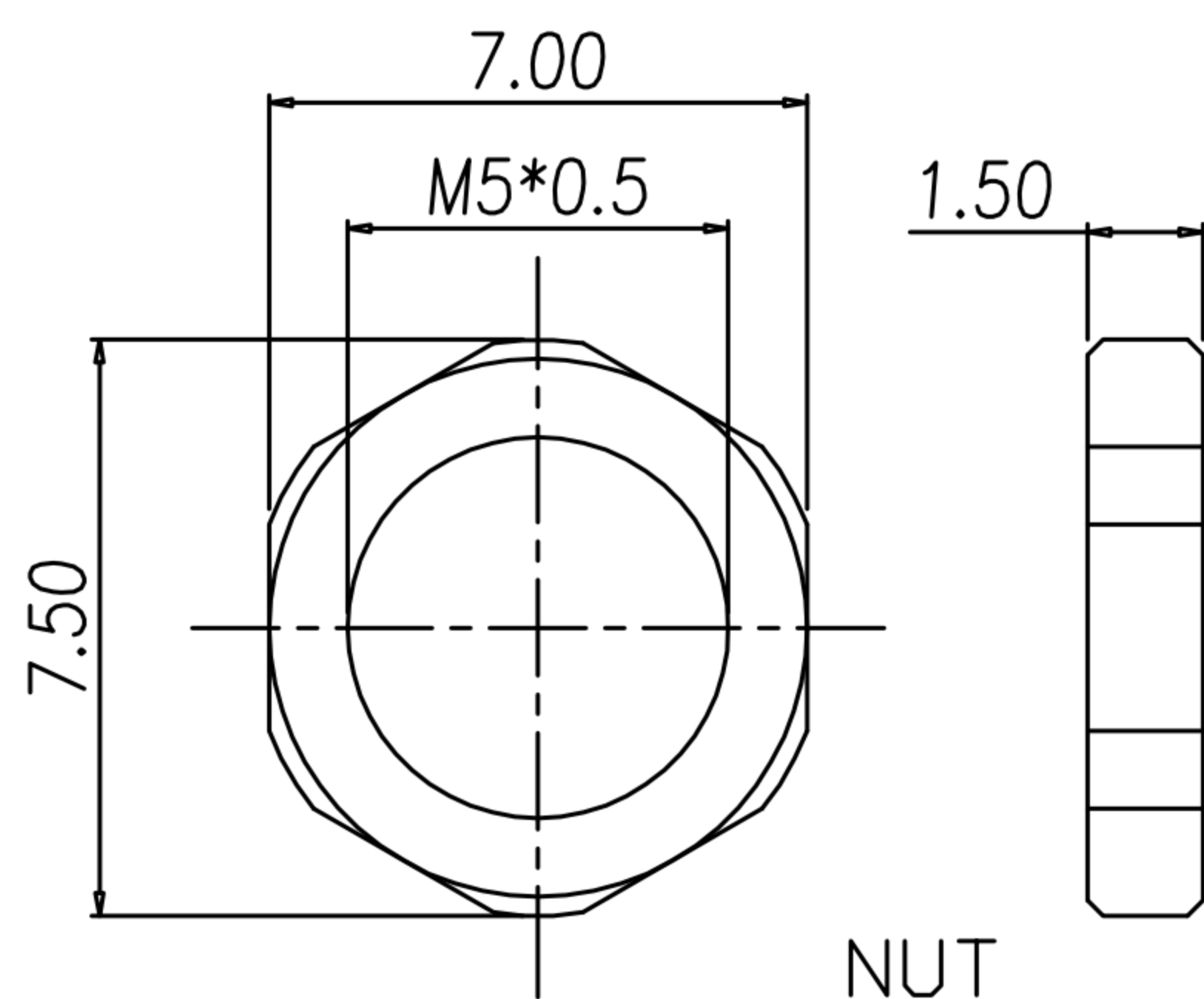
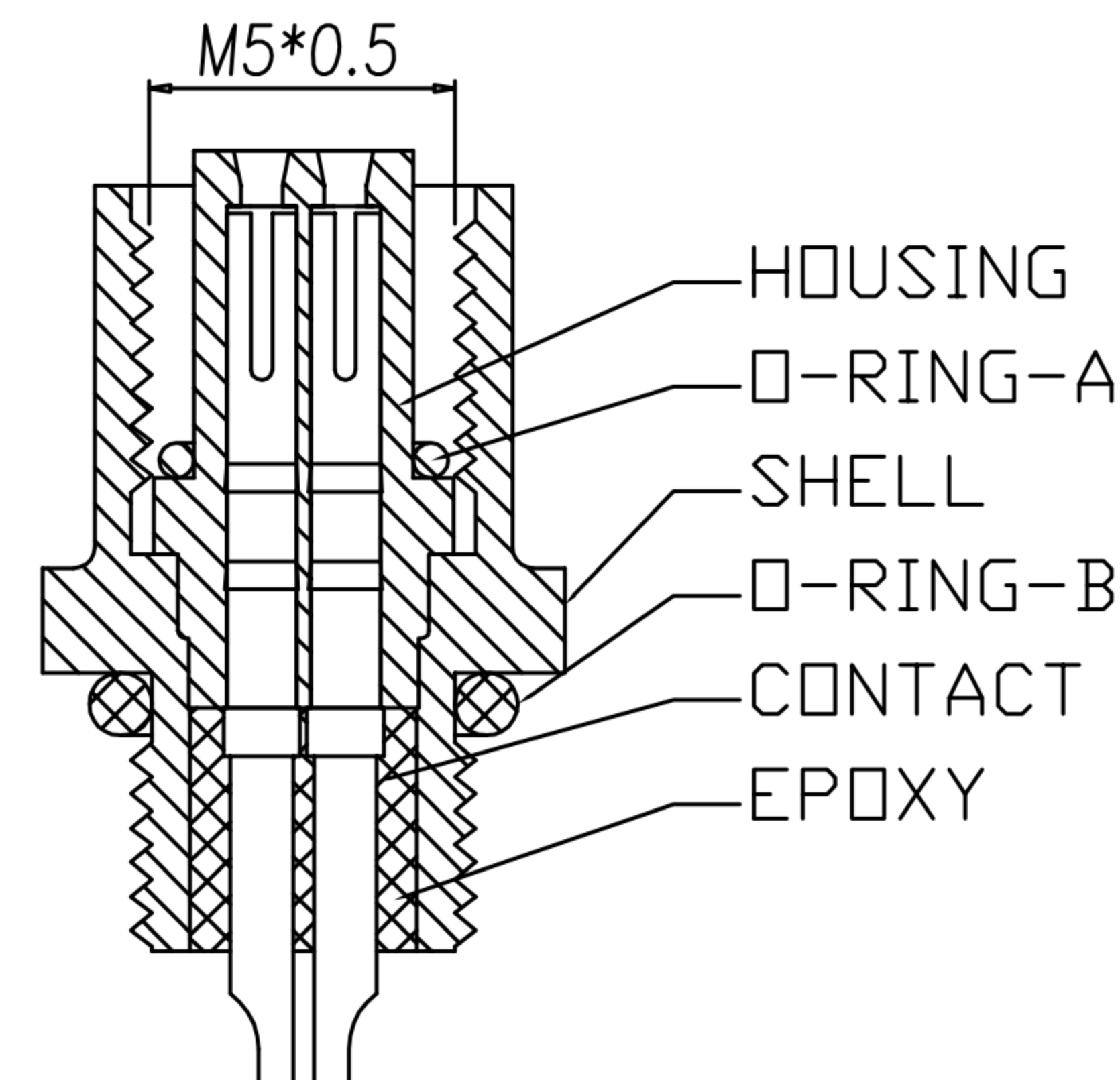
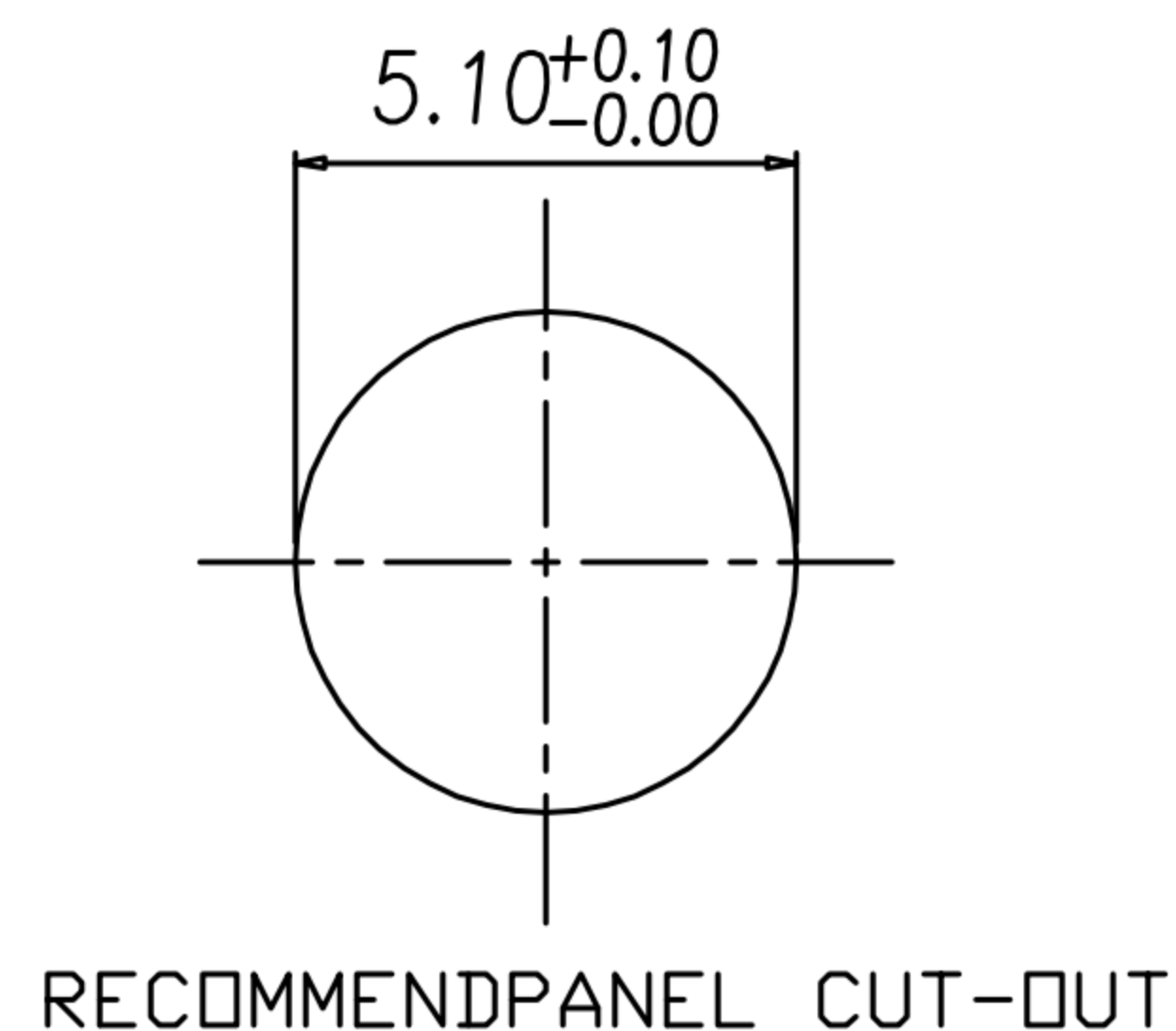
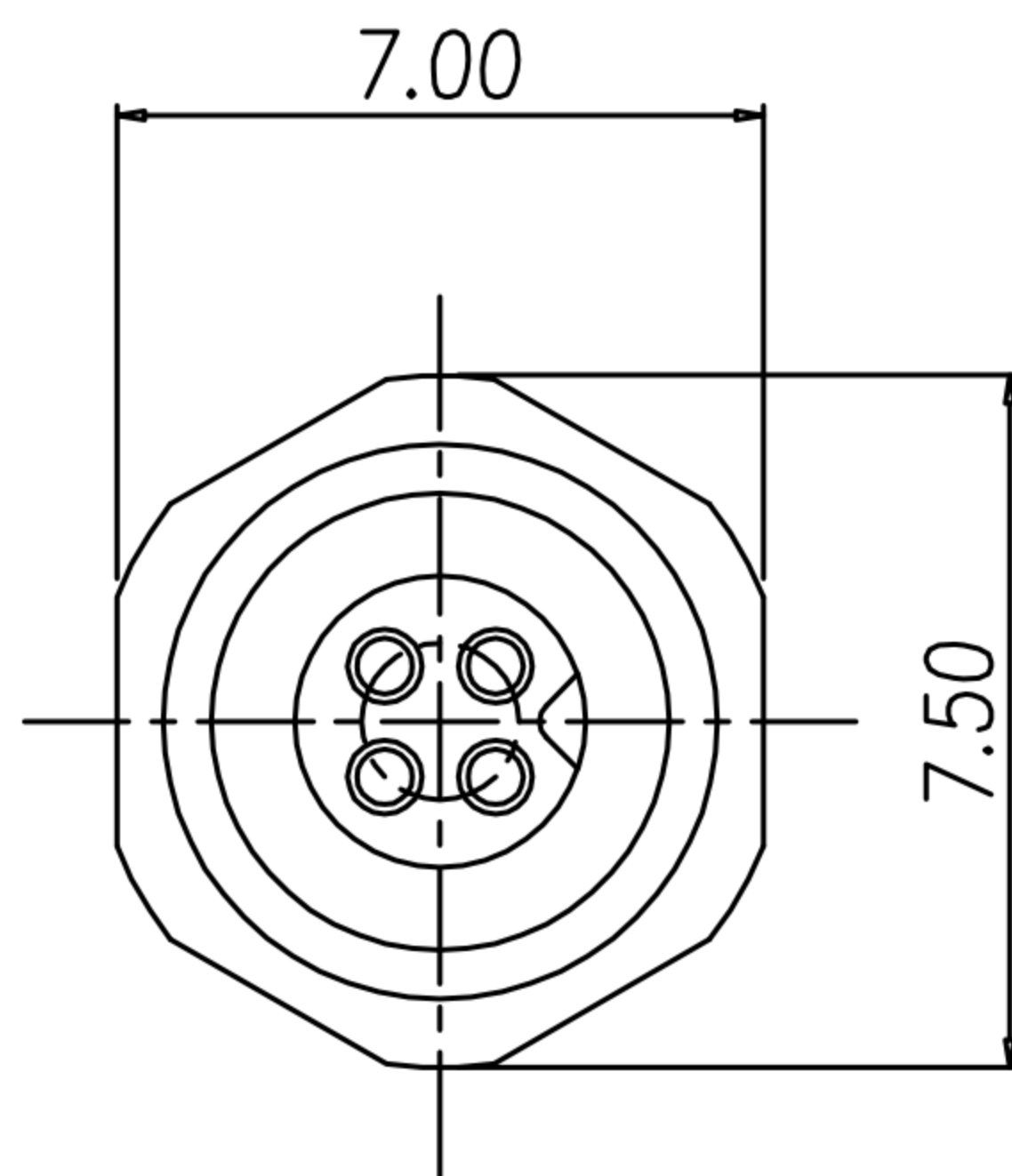
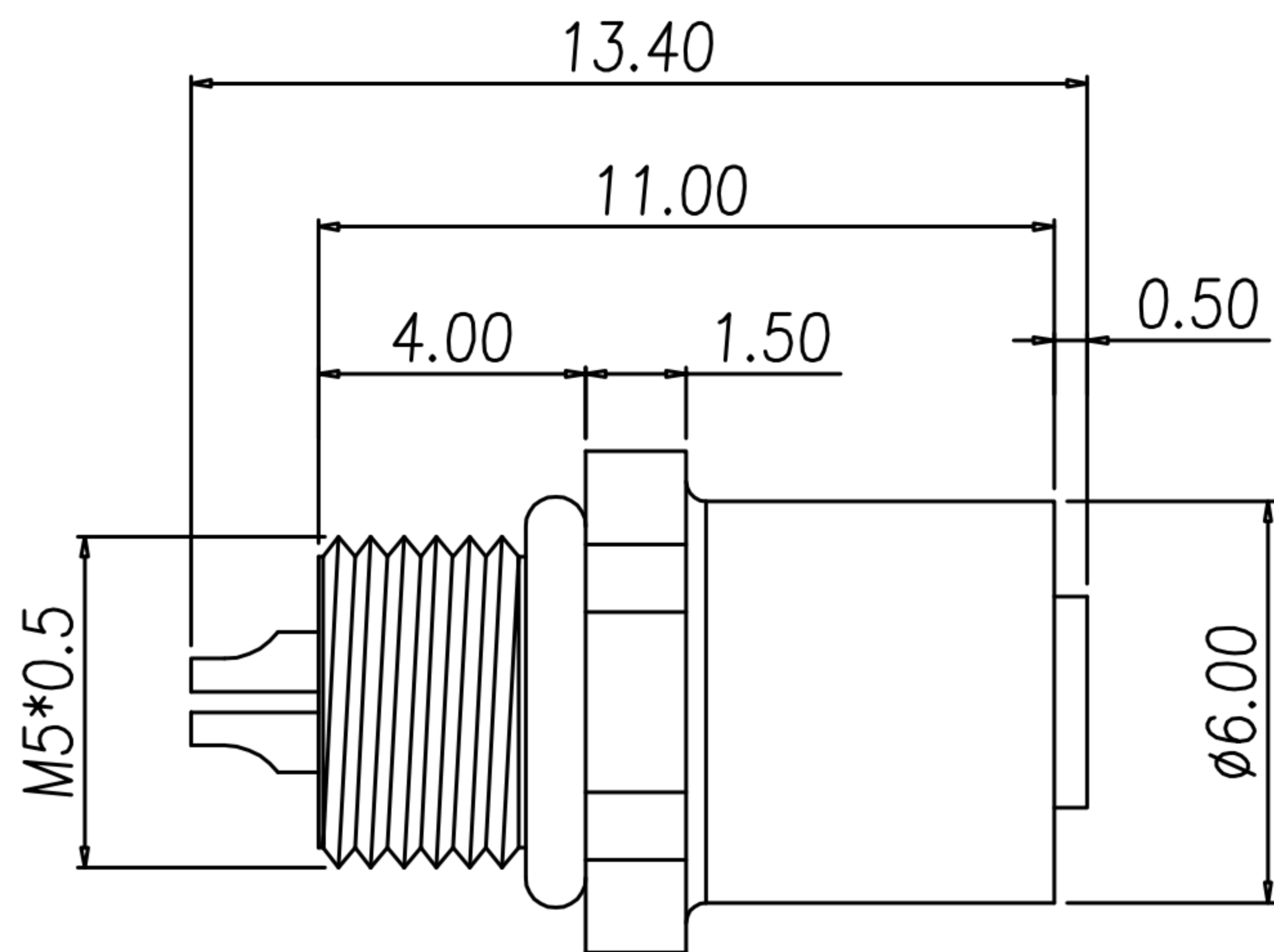


CUSTOMER DRAWING

REV.	DESCRIPTION	APPROVED BY	DATE	ECN NO.
△A	RELEASE	Fido Weng	28/10/10'	
△B				
△C				



- MATERIAL :
  - 1-1. HOUSING : PBT UL94V-0; COLOR : BLACK
  - 1-2. CONTACT : BRASS.
  - 1-3. NUT : BRASS
  - 1-4. SHELL : BRASS
  - 1-5. O-RING : NBR ; COLOR : BLACK
- FINISH :
  - 2-1. CONTACT : SEE TABLE A
  - 2-2. NUT : NICKEL PLATED
  - 2-3. SHELL : NICKEL PLATED
- ELECTRICAL SPECIFICATION :
  - 3-1. Rated current : 1A
  - 3-2. Rated Voltage : 60V
  - 3-3. Water proof : IP67
- Environmental :
  - 4-1. Operation Temperature : -20℃~85℃

TABLE A

2PIN	3PIN	4PIN	
WP-02F2-42-11	WP-03F2-66-11	WP-04F2-145-11	
WP-02F2-33-11	WP-03F2-21	WP-04F2-58	
	WP-04F2-145-11		GOLD 10u"
	WP-03F2-66-11		GOLD 10u"
	WP-02F2-42-11		GOLD 10u"
	WP-04F2-58		GOLD FLASH
	WP-03F2-21		GOLD FLASH
	WP-02F2-33-11		GOLD FLASH
	PART NO		FINISH(CONTACT)

DRAWN	Mark Kao	APP'D	KU	UNIT	mm	TOLERANCE			TITLE	M5 4PIN(F)後鎖線式			SHEET	
CHK'D	Emily Suen			SCALE	1:1	.x ±0.20 .xx ±0.10 .xxx ±0.05 .xxxx ±0.03 ANGULA ±1°			PART NO.	SEE TABLE A	DWG NO.	QC4852	VERSION	