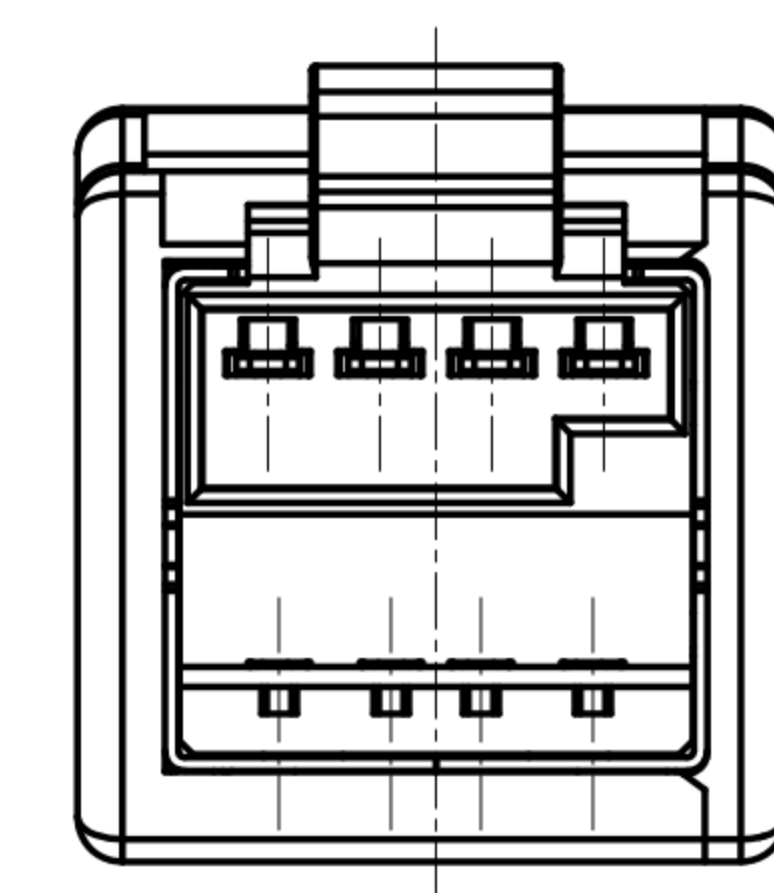
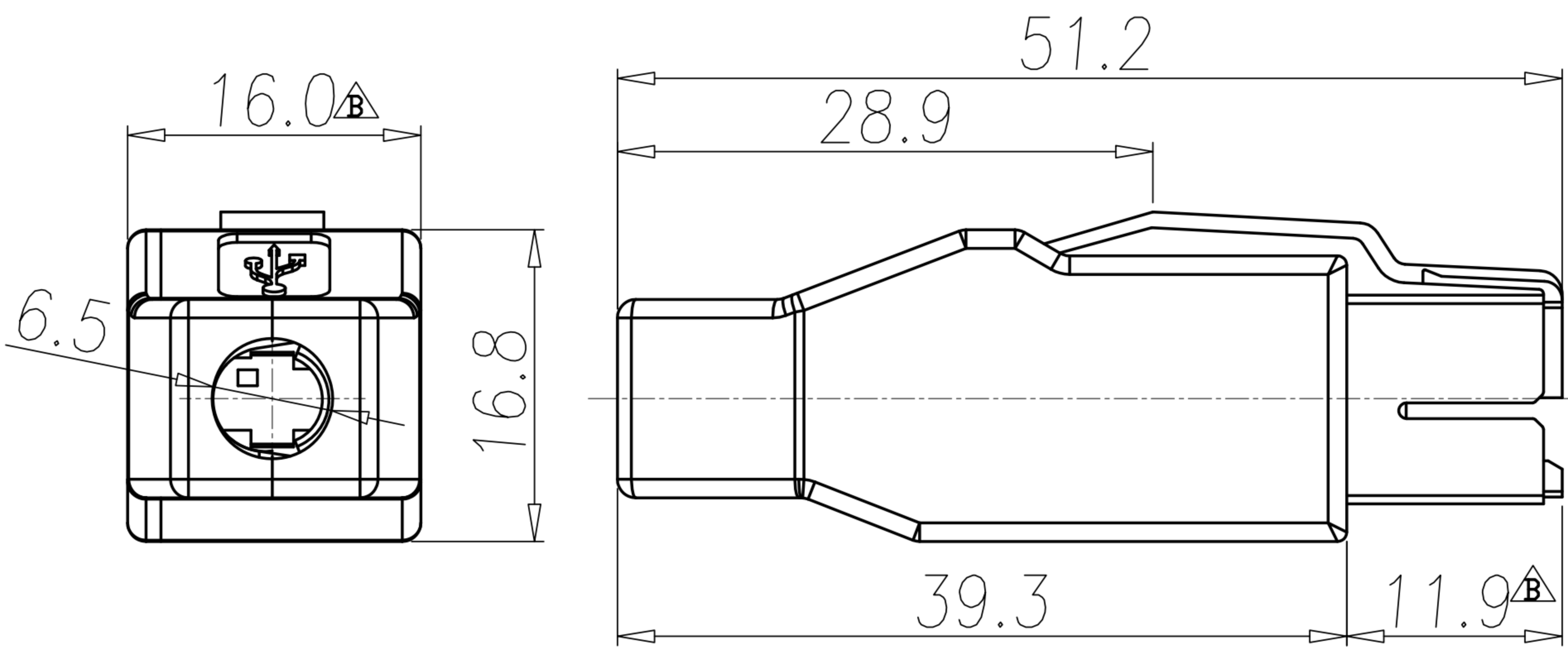
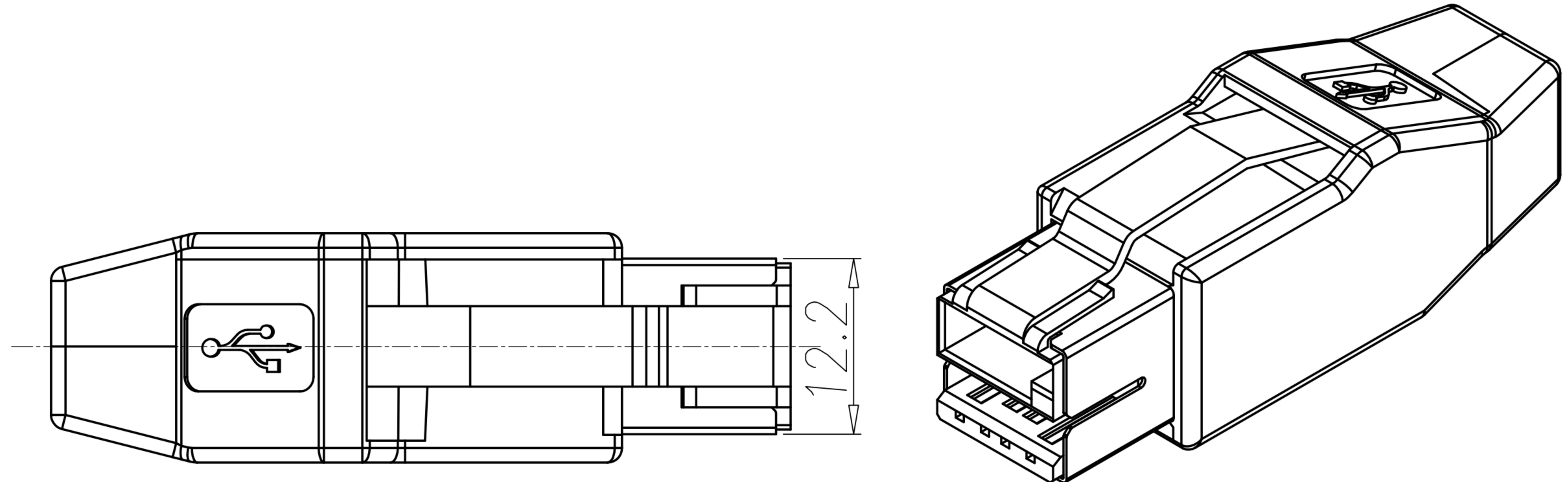


CUSTOMER DRAWING

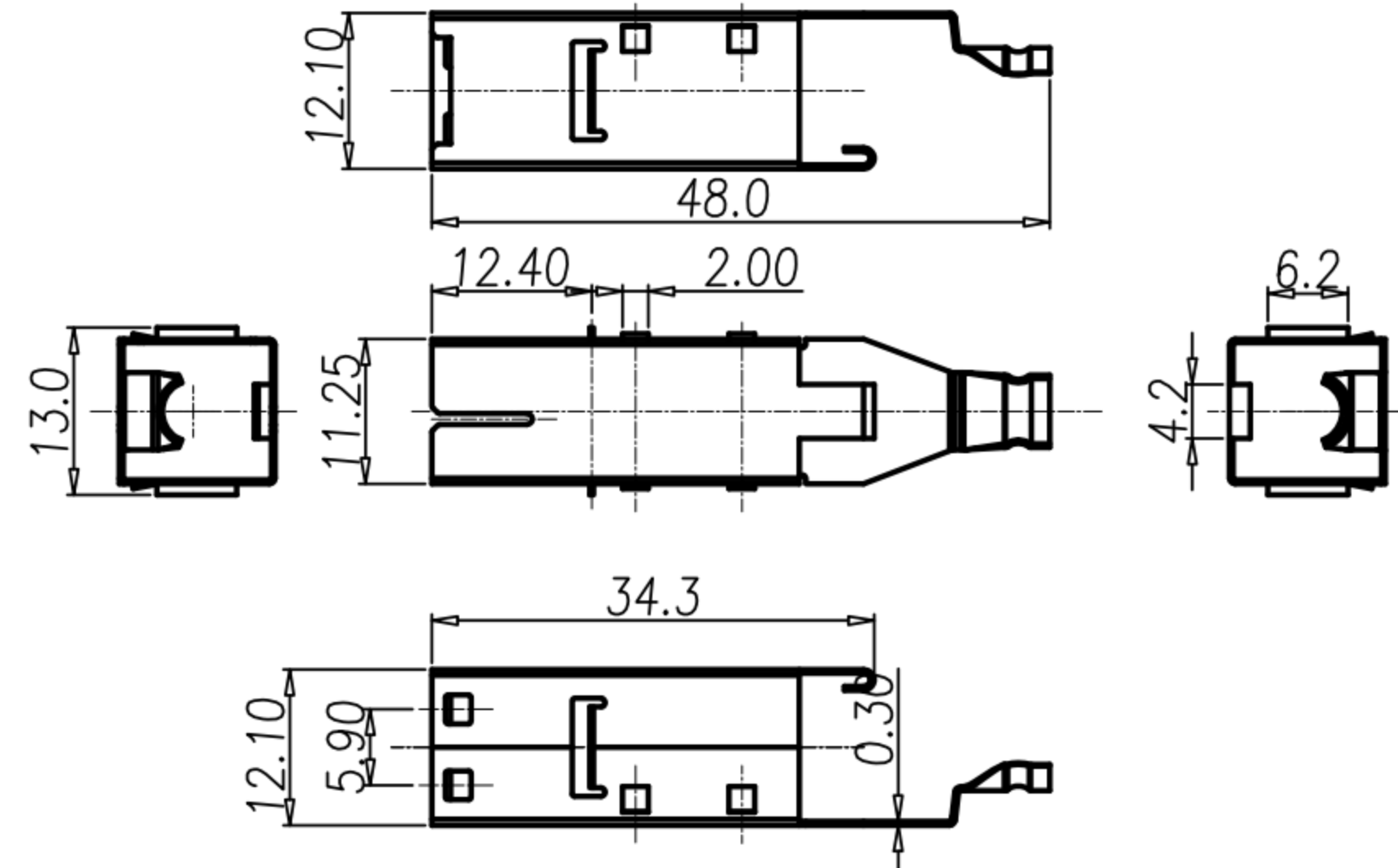
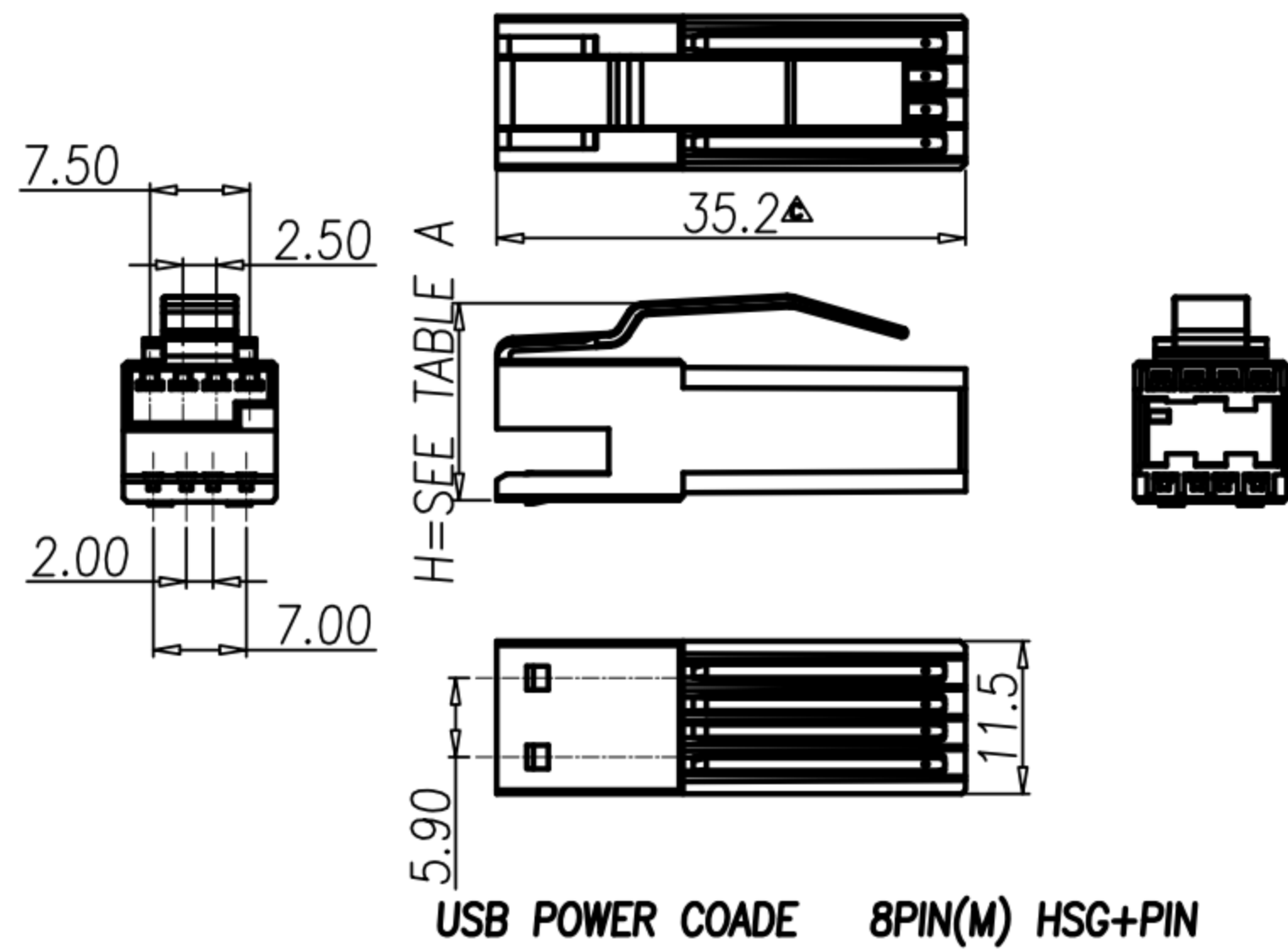
REV.	DESCRIPTION	APPROVED BY	DATE	ECN NO.
A	MODIFY DRAWING	Fido Weng	24/05/10'	
B	尺寸變更	Emily Suen	27/08/12'	
C				



DRAWN	Jen Xie	APPEND	Fido Weng	UNIT	mm	TOLERANCE		广东科斯达电子科技有限公司 GUANG DONG KE SI DA ELECTRONIC TECHNOLOGY CO., LTD.	TITLE	SEE TABLE A			SHEET	2
CHKED	Emily Suen			SCALE	1:1	.x ±0.20 .xx ±0.10 .xxx ±0.05 .xxxx ±0.03 ANGULA ±1°			PART NO.	SEE TABLE A	DWG NO.	QC2855	VERSION	B

CUSTOMER DRAWING

REV.	DESCRIPTION	APPROVED BY	DATE	ECN NO.
A	RELEASE	Fido Weng	24/05/10*	
B	尺寸變更	Emly Suen	27/08/12*	
C	尺寸變更	Emly Suen	27/08/12*	
D	合辦料號	Fido Weng	06/02/18*	



- MATERIAL :
 - HOUSING : NYLON 66 UL94V-0
 - CONTACT : PHOSPHOR BRONZE
 - LONG SHELL : PHOSPHOR BRONZE
 - SHORT SHELL : PHOSPHOR BRONZE
 - UPPER COVER : ABS.
 - BASE COVER : ABS.
- FINISH :
 - CONTACT : GOLD 10u" MIN ON CONTACT AREA, SHINE TIN 80u" MIN ON SOLDER TAILS, UNDERPLATED NICKEL OVER ALL 50u" MIN.
 - SHELL : TIN PLATED OVER ALL .
- ELECTRICAL SPECIFICATION :
 - RATINGVOLTAGE AND CURRENT : 1.5A AT 250V AC MIN, FOR POWER USB : 3.0A AT 250V AC MIN.
 - CONTACT RESISTANCE : 30m Ohm MAX
 - INSULATION RESISTANCE : 1000M Ohm MIN AT DC500V.
 - DIELECTRIC WITHSTANDING VOLTAGE : AC 500V/1 MINUTE.

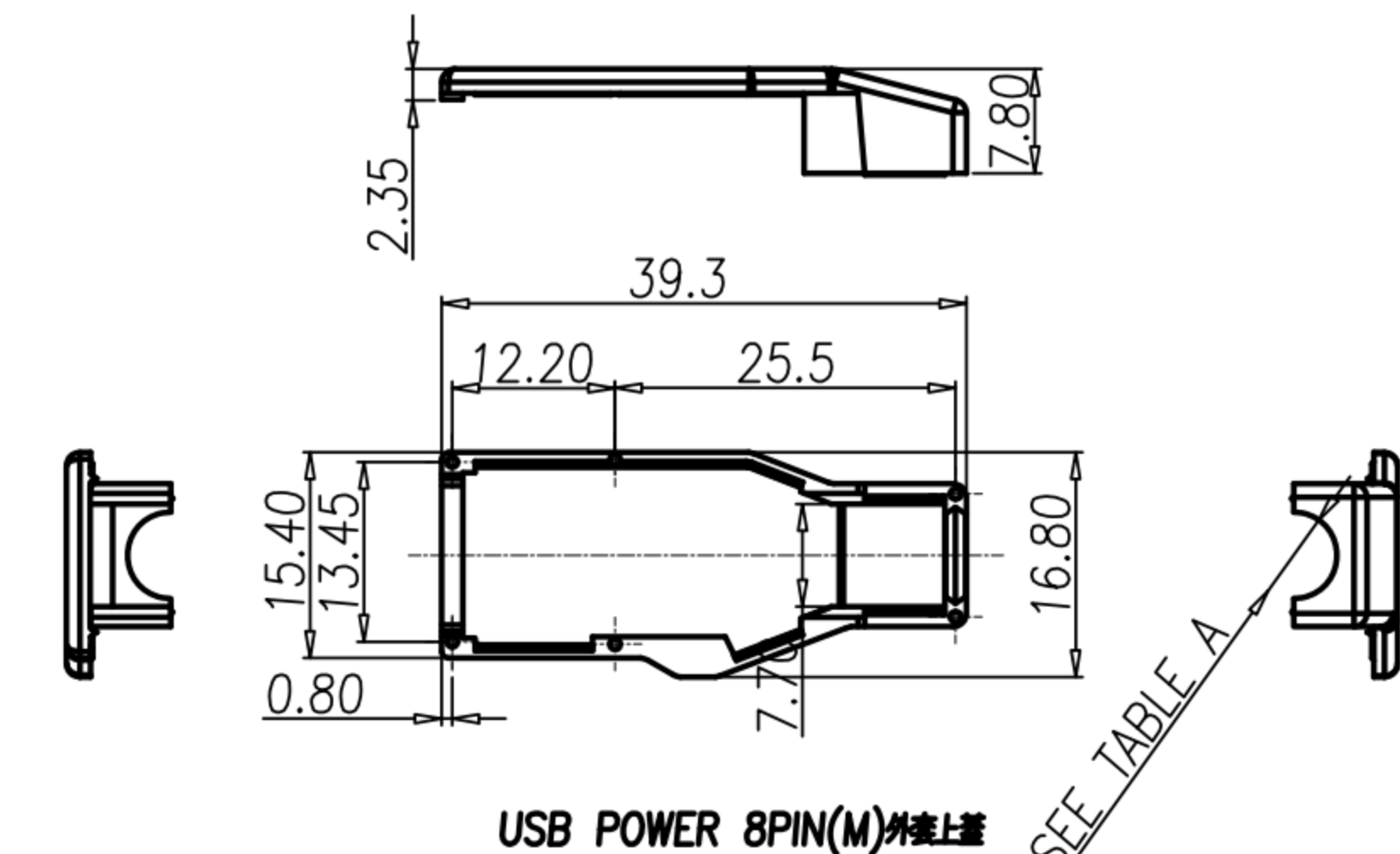
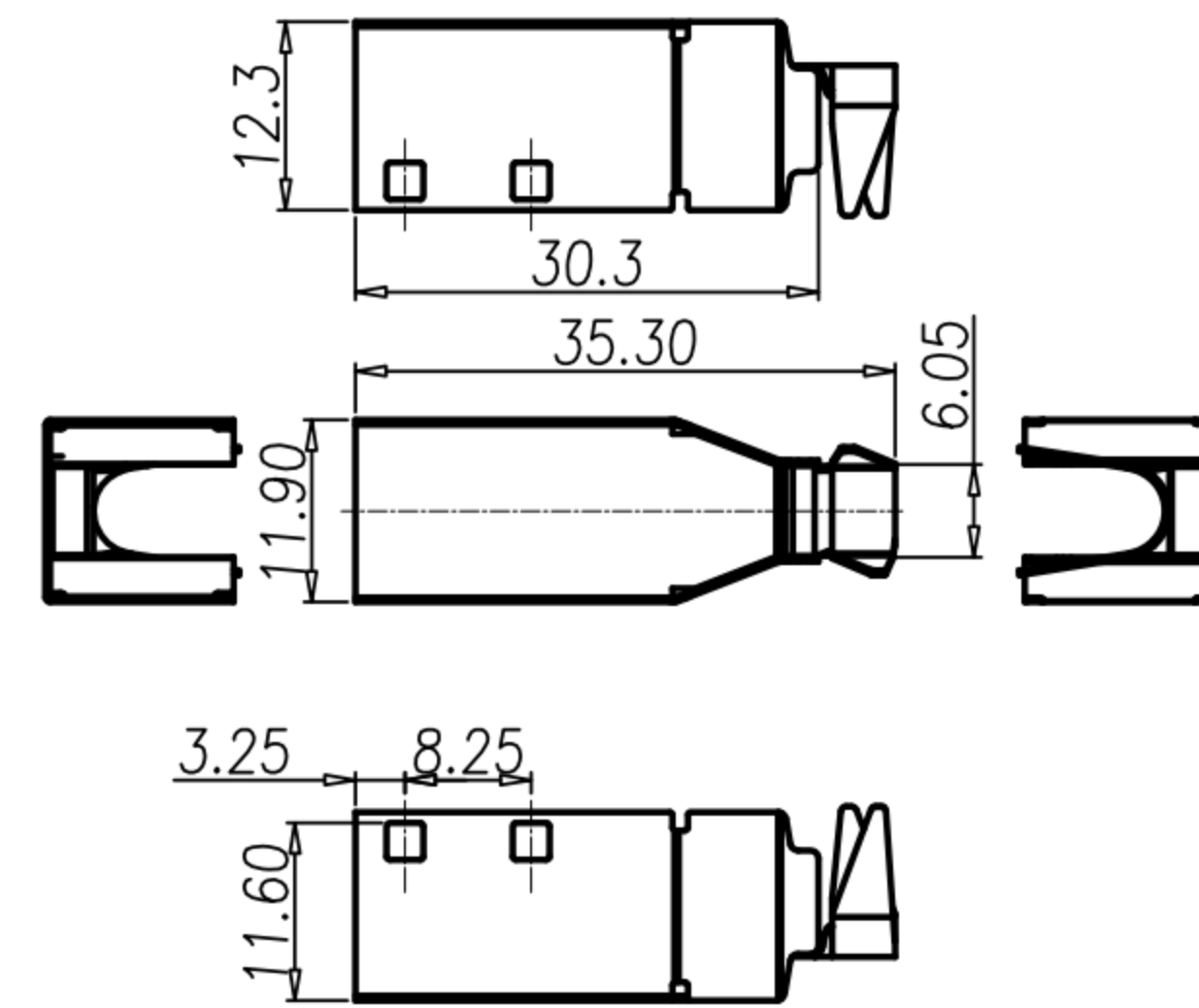
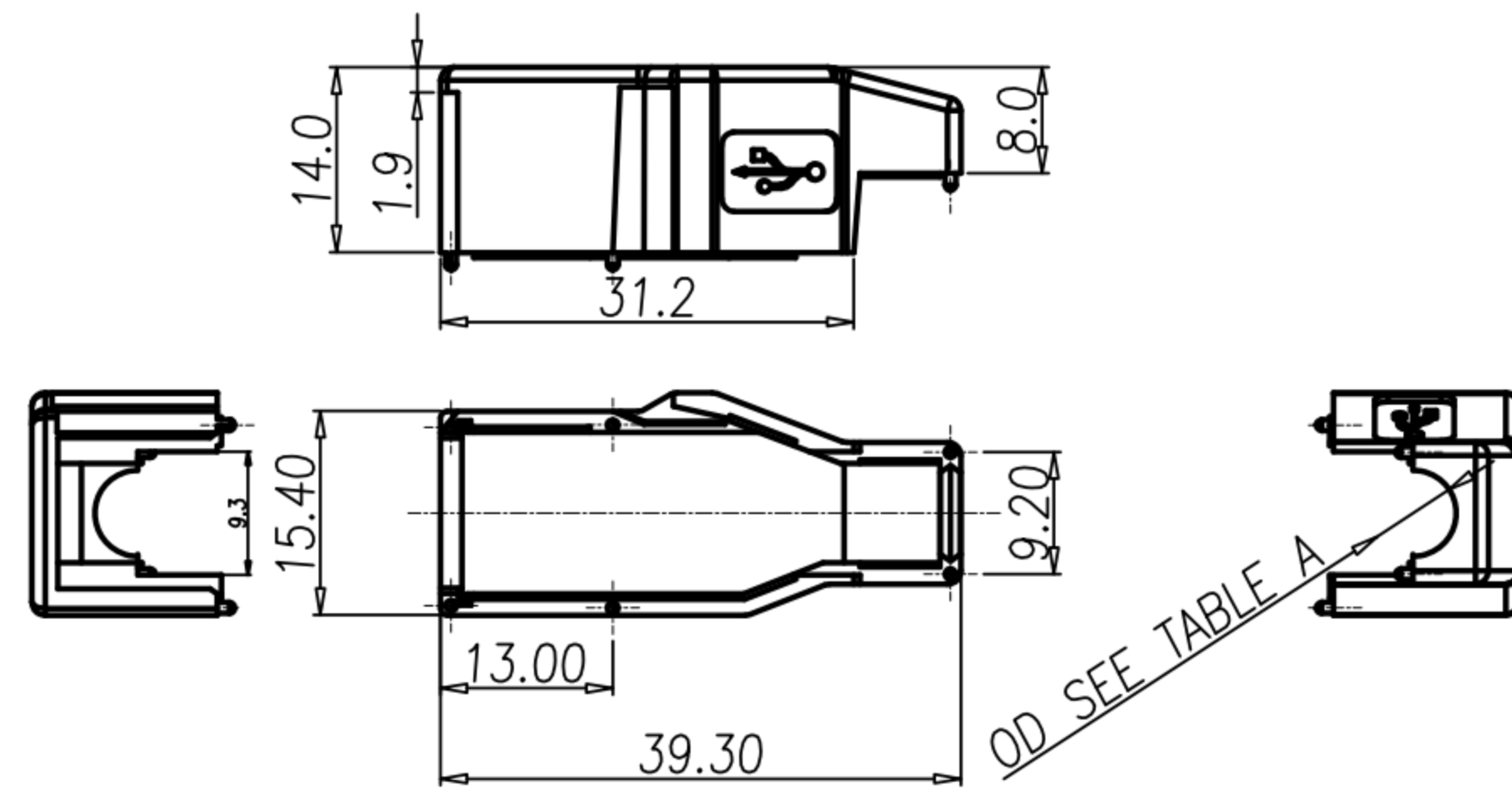


TABLE A

	P/N	DESCRIPTION
△	US-08M2-07	USB POWER 8PIN(M) 12V TYPE H=14.37(黑色外套OD=7.0)
△	US-08M2-11	USB POWER 8PIN(M) 12V TYPE H=14.37(貝吉色外套OD=7.0)
△	US-08M2-23	USB POWER 8PIN(M) 12V TYPE H=14.77(黑色外套OD=7.0)
△	US-08M2-20	USB POWER 8PIN(M) 12V TYPE H=14.77(貝吉色外套OD=7.0)
	US-08M2-05	USB POWER 8PIN(M) 12V TYPE H=14.37(黑色外套OD=6.5)
	US-08M2-02	USB POWER 8PIN(M) 12V TYPE H=14.37(貝吉色外套OD=6.5)
	US-08M2-14	USB POWER 8PIN(M) 12V TYPE H=14.77(貝吉色外套OD=6.5)
	US-08M2-17	USB POWER 8PIN(M) 12V TYPE H=14.77(黑色外套OD=6.5)
	US-08M2-26	USB POWER 8PIN(M) 12V TYPE H=14.37(黑色外套OD=4.5)
	US-08M2-29	USB POWER 8PIN(M) 12V TYPE H=14.37(貝吉色外套OD=4.5)
	US-08M2-32	USB POWER 8PIN(M) 12V TYPE H=14.77(黑色外套OD=4.5)
	US-08M2-35	USB POWER 8PIN(M) 12V TYPE H=14.77(貝吉色外套OD=4.5)

DRAWN	Jen Xie	APPEND	Fido Weng	UNIT	mm	TOLERANCE			TITLE	SEE TABLE A			SHEET	1/2
CHKD	Emly Suen			SCALE	1:1				PART NO.	SEE TABLE A	DWG NO.	QC2855	VERSION	D