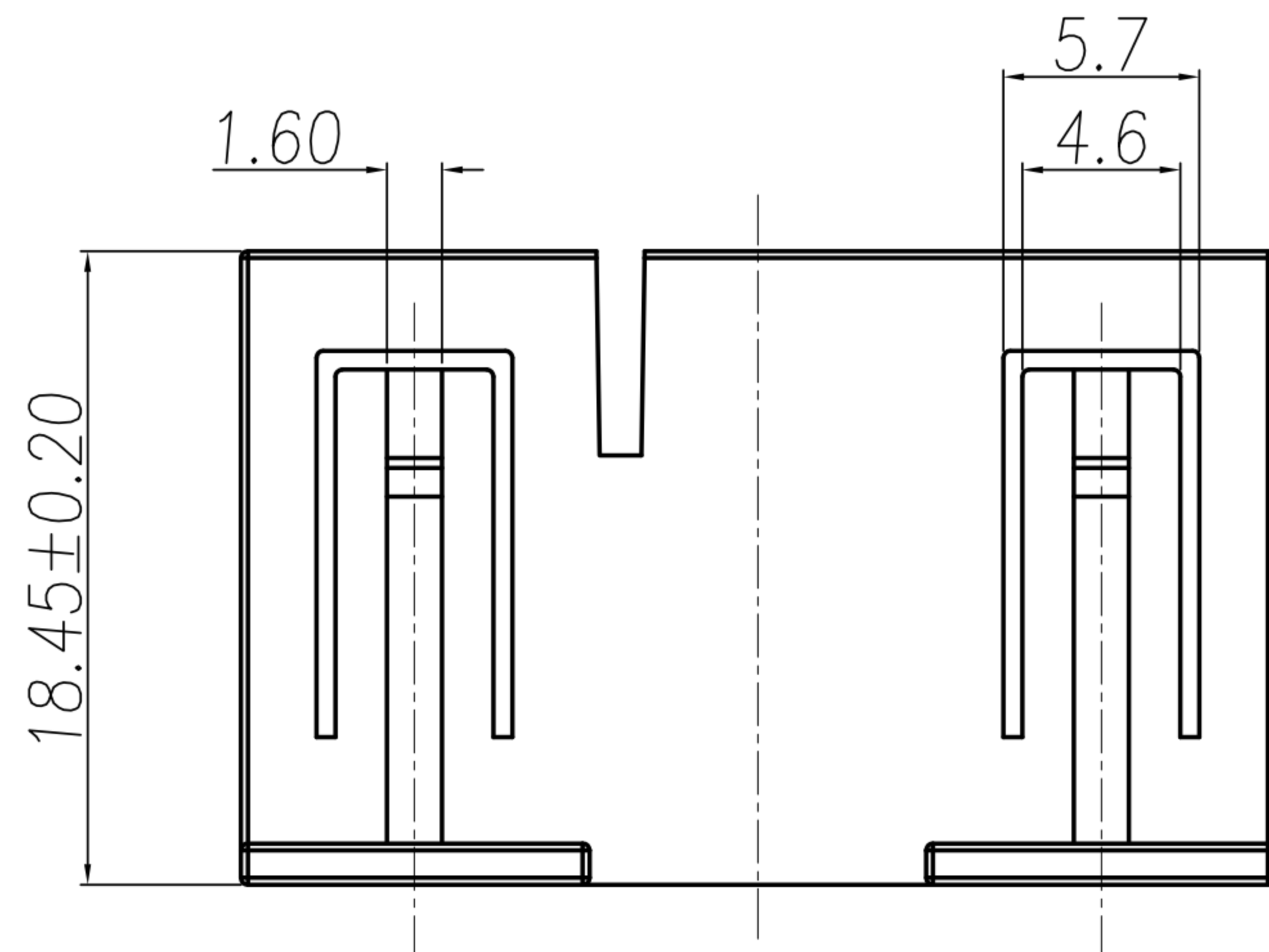
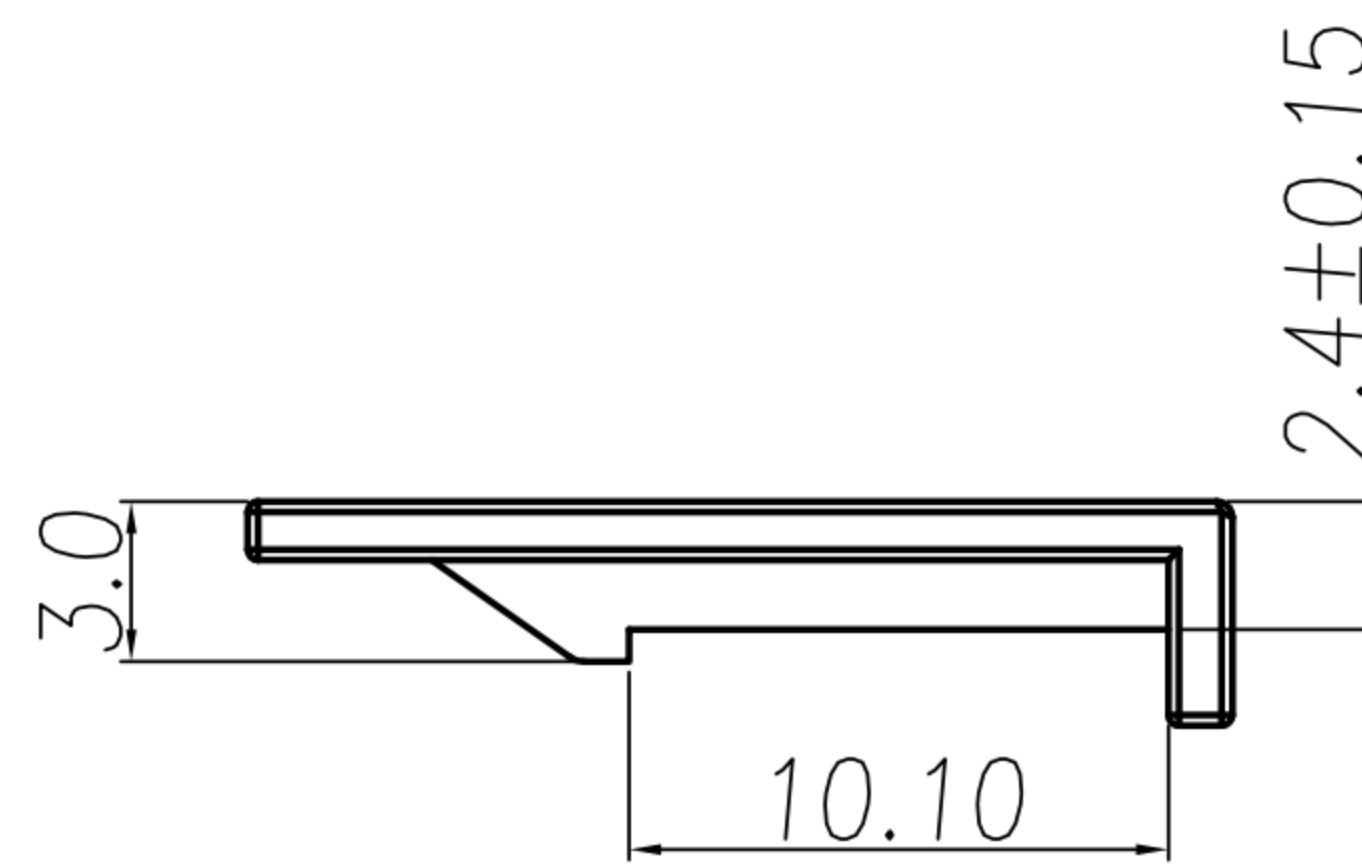
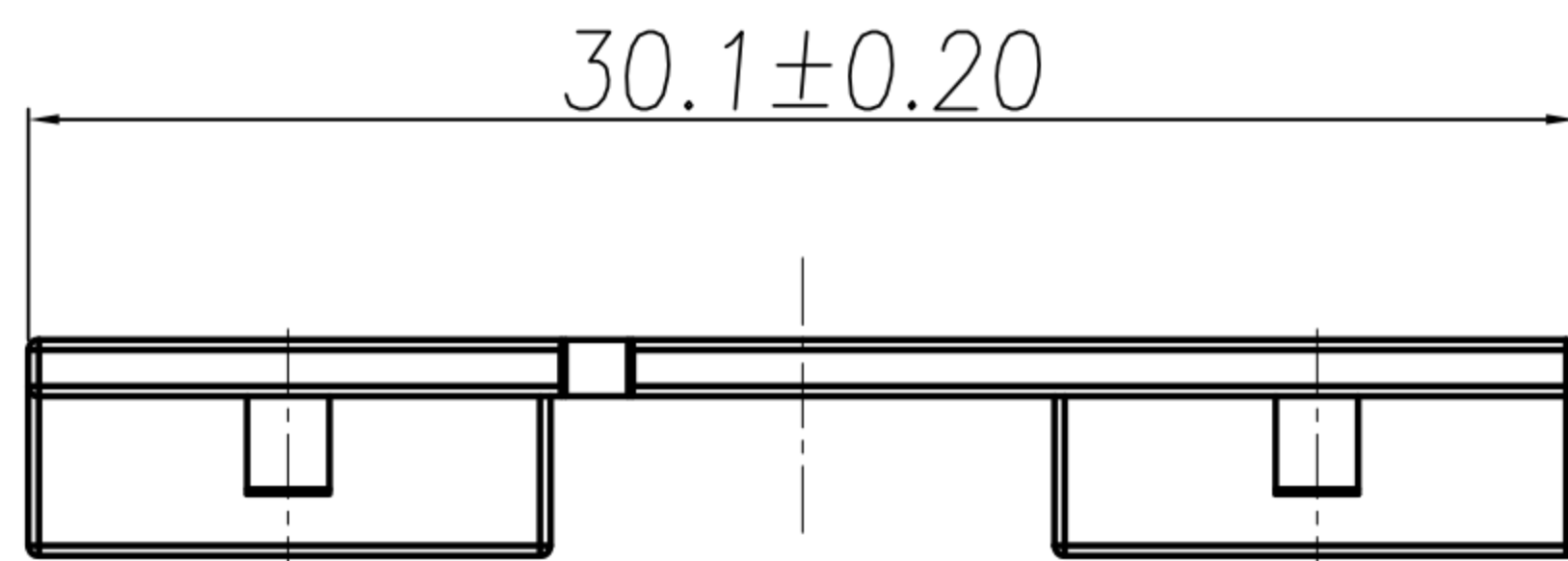
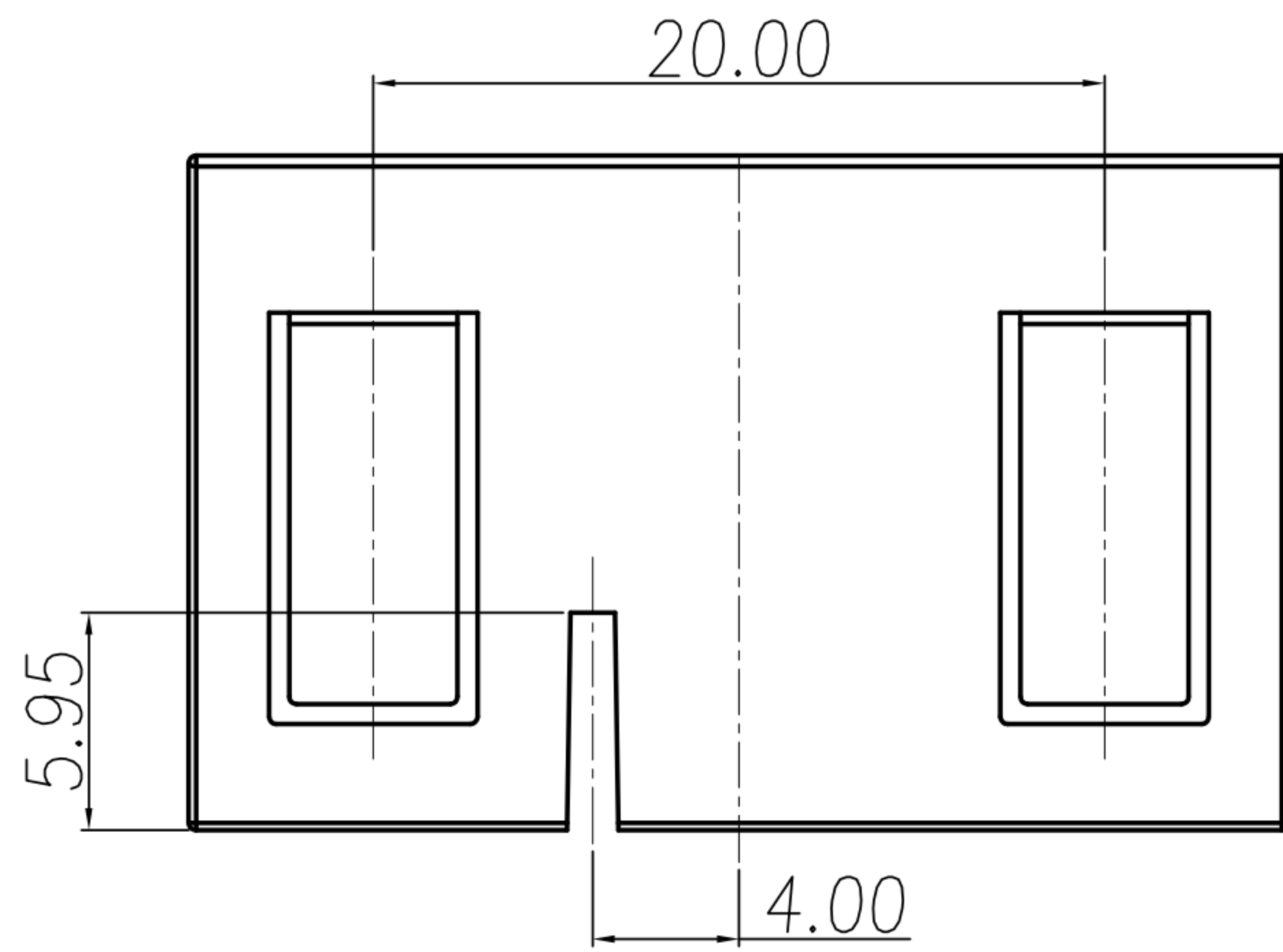


CUSTOMER DRAWING

REV.	DESCRIPTION	APPROVED BY	DATE	ECN NO.
A	RELEASE	Fido Weng	26/02/09'	
B				
C				



NOTE/備註:

- MATERIAL/材質 : NYLON 66+15%GF/尼龍66+15%玻纖
- COLOR/顏色 : GRAY/灰色

DRAWN	Ku Chou	APP'D	Emily Suen	UNIT	mm	TOLERANCE		广东科斯达电子科技有限公司 GUANG DONG KE SI DA ELECTRONIC TECHNOLOGY CO., LTD.	TITLE	OBD2 16POS RECEPTACLE(INSET),LATCH COVER			SHEET	
CHK'D	Emily Suen			SCALE	1:1	.x ±0.10 .xx ±0.05 .xxx ±0.03 .xxxx ±0.01 ANGULA ±1°			PART NO.	ON-TE0168	DWG NO.	QC3815	VERSION	