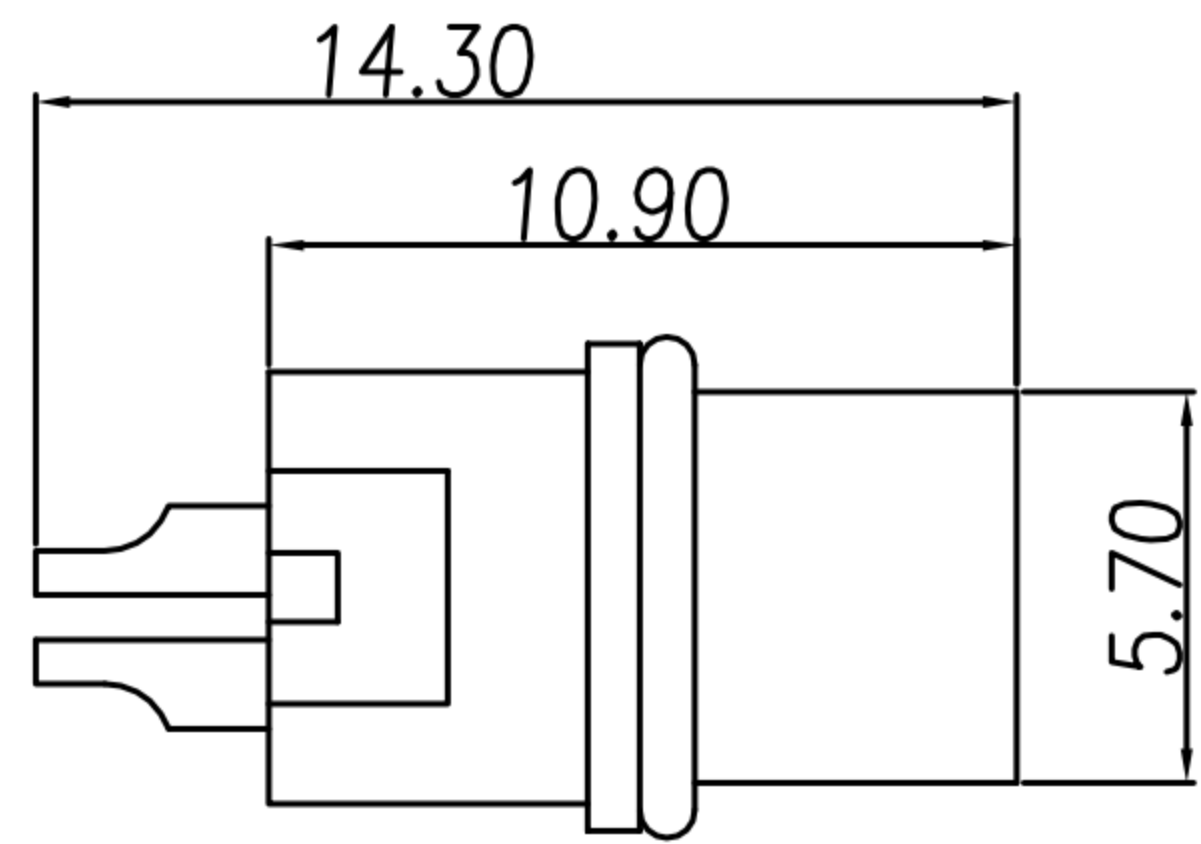
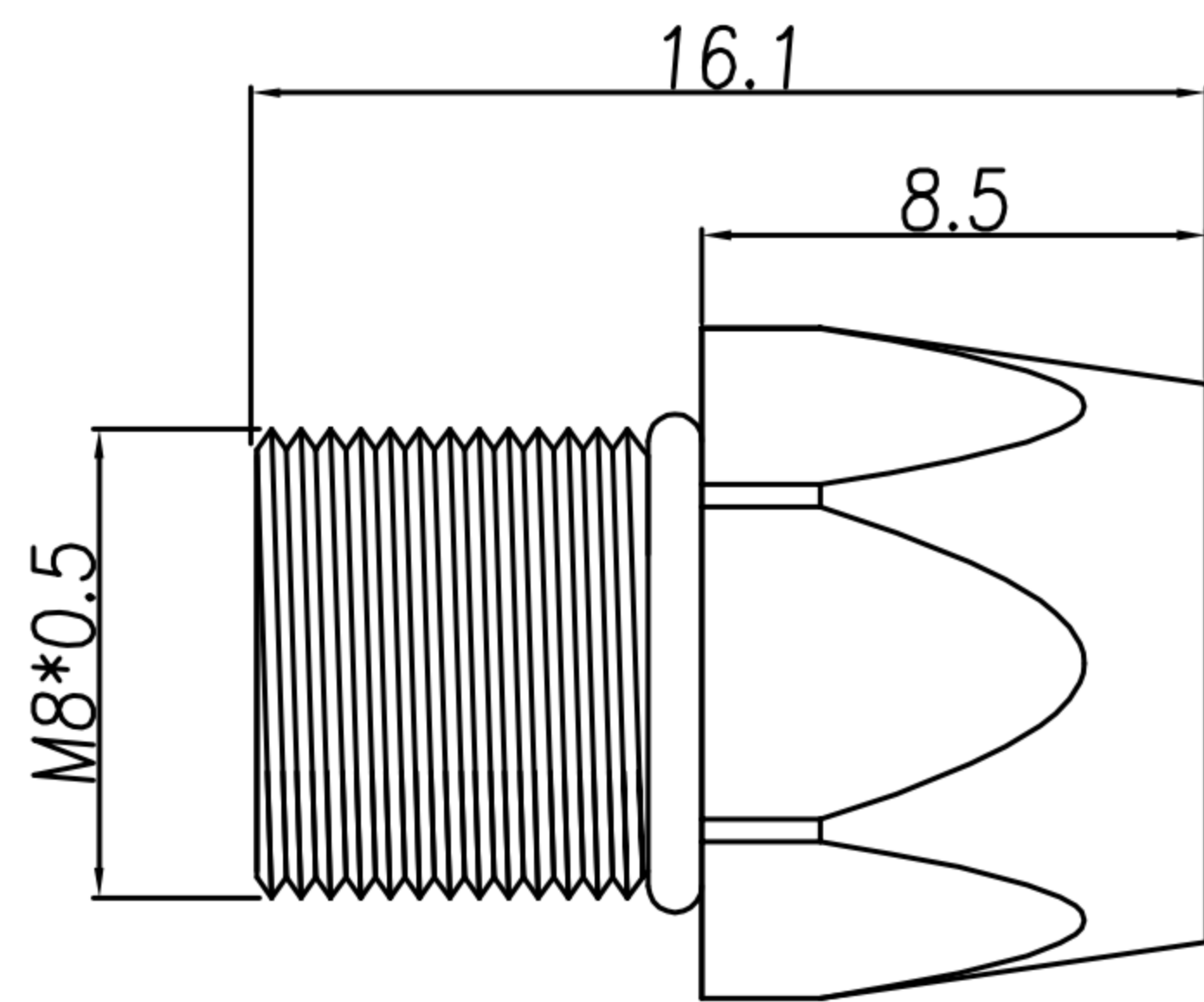
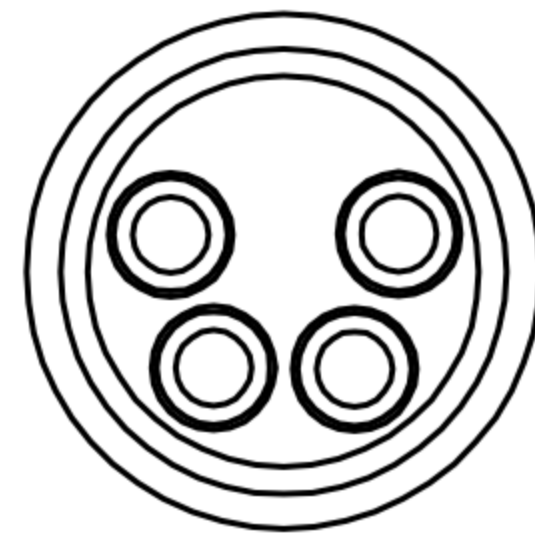


# CUSTOMER DRAWING

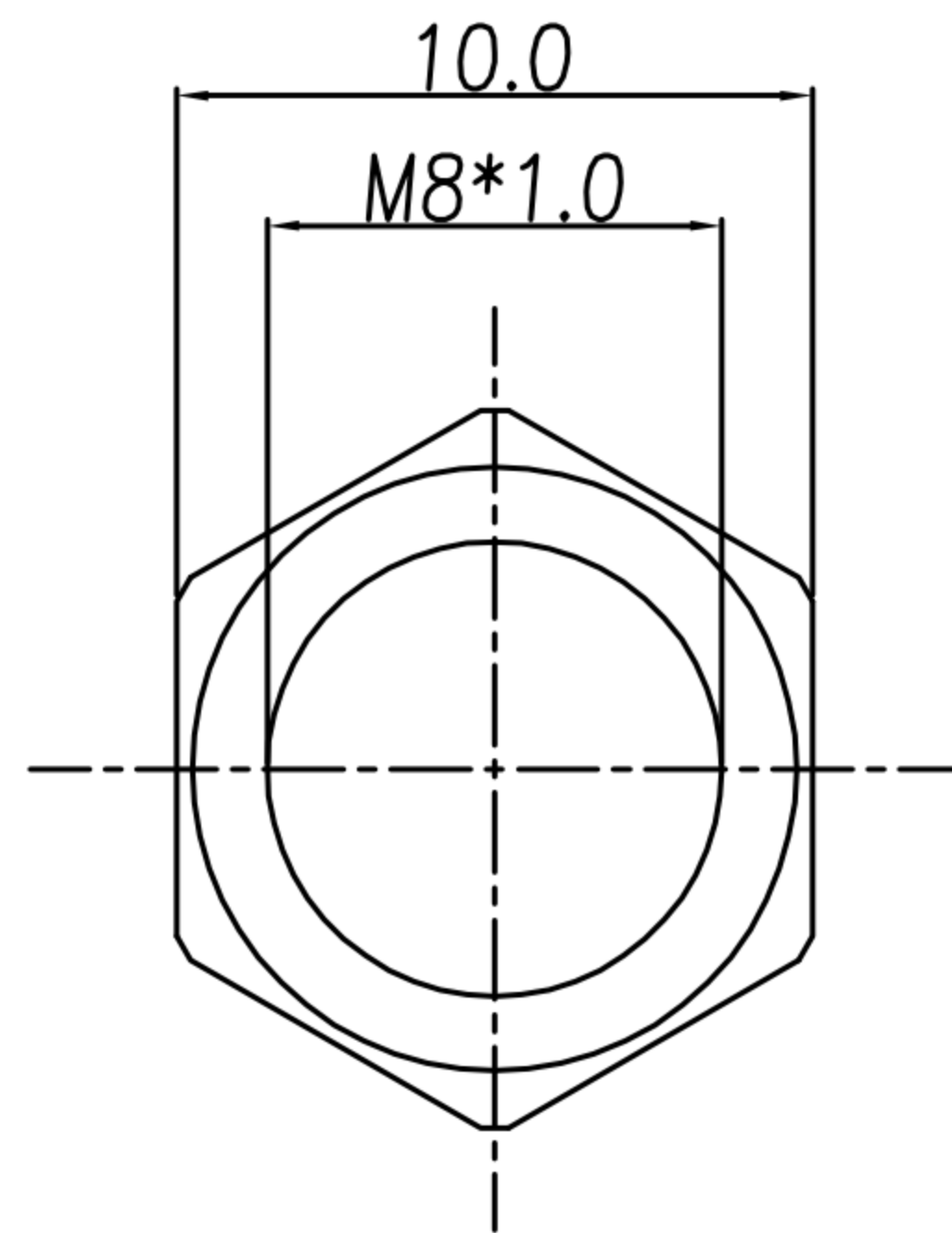
REV.	DESCRIPTION	APPVL. BY	DATE	ECN NO.
△A	RELEASE	Fido Weng	26/03/14'	
△B				
△C				



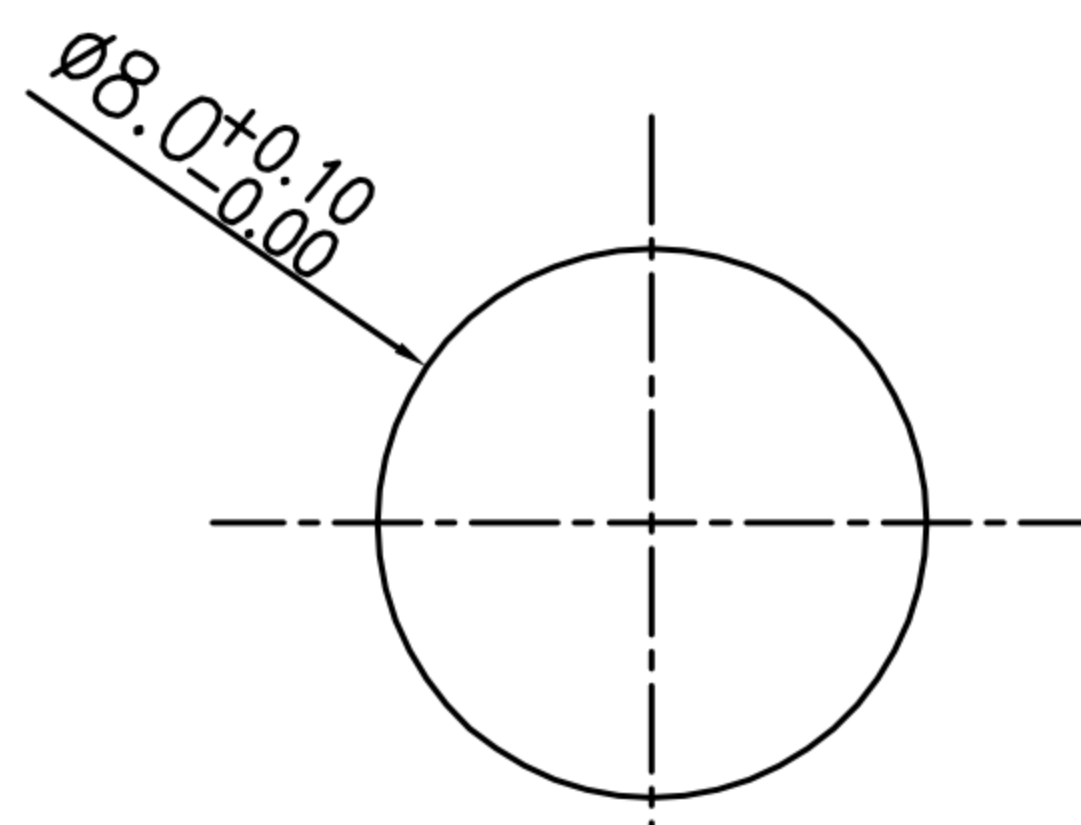
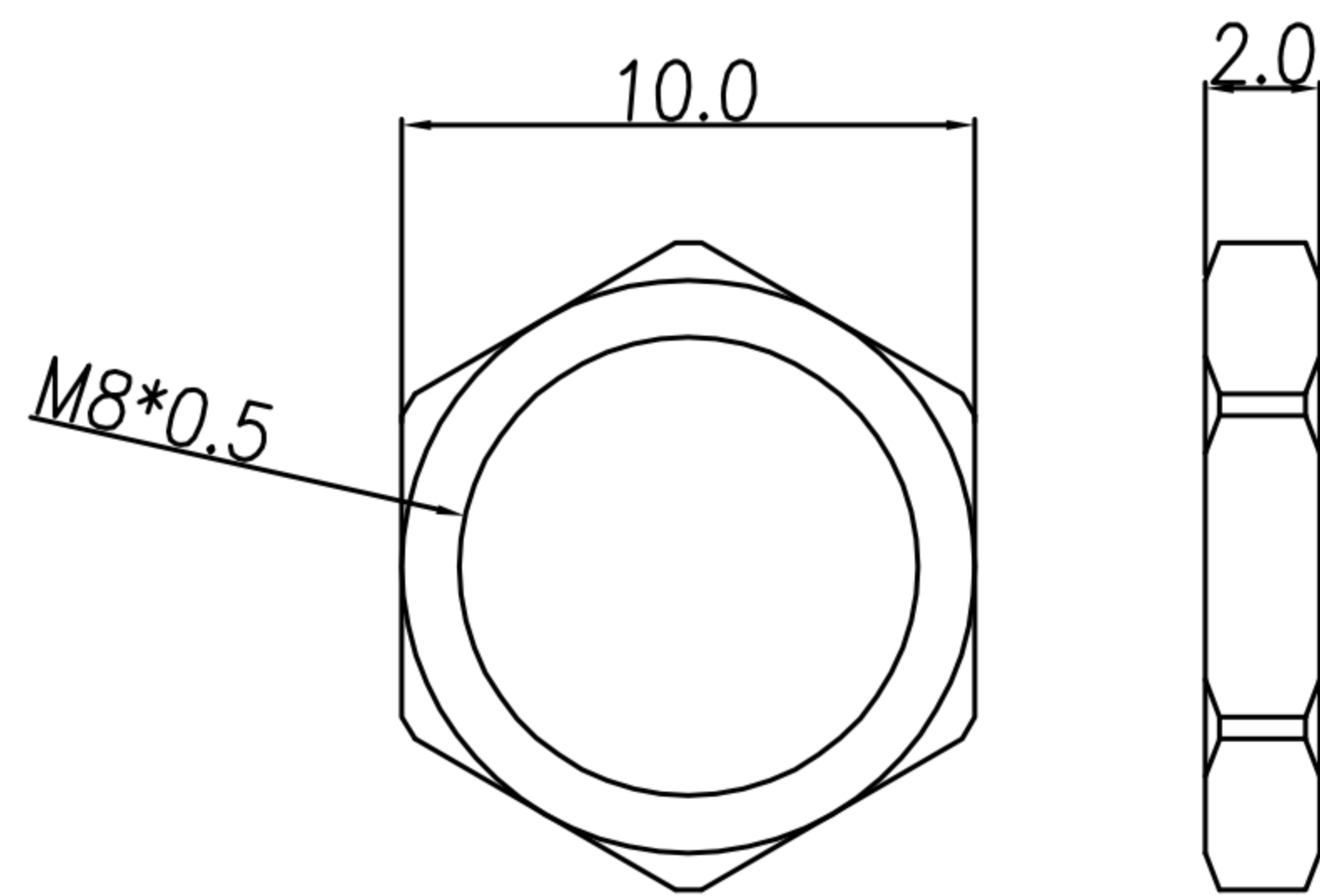
HPUSING & PIN & O-RING



SHELL & O-RING



NUT



RECOMMEND PANEL CUT-OUT

NOTE:

1. MATERIAL :
  - 1-1. HOUSING : PBT UL94V-0 ; COLOR : BLACK
  - 1-2. CONTACT : BRASS.
  - 1-3. SHELL : BRASS.
  - 1-4. NUT : BRASS.
  - 1-5. O-RING : EPDM ; COLOR : BLACK
2. FINISH :
  - 2-1. CONTACT : GOLD FLASH.
  - 2-2. SHELL : NICKEL PLATED.
  - 2-3. NUT : NICKEL PLATED.
3. ELECTRICAL SPECIFICATION :
  - 3-1. Rated current : 4A
  - 3-2. Rated voltage : 60V
  - 3-3. Water proof : IP67
4. Environmental :
  - 4-1. Operation Temperature : -20℃~85℃

TABLE A/表A

WP-03F2-43-11	WP-04F2-07-11

DRAW	Ku Chou	APPVL	Emily Suen	UNIT	mm	TOLERANCE		广东科斯达电子科技有限公司 GUANG DONG KE SI DA ELECTRONIC TECHNOLOGY CO., LTD.	TITLE	防水頭 M8-(F) 後鎖線式			SHEET	1
CHECK	Emily Suen			SCALE	1:1				PART NO.	SEE TABLE A	DWG NO.	QC6621	VERSION	A