

CUSTOMER DRAWING

REV.	DESCRIPTION	APPVL. BY	DATE	ECN NO.
△A	RELEASE	Fido Weng	27/09/18'	
△B	增加剖溝	Fido Weng	15/02/19'	
△C	ADD PART No.	Fido Weng	02/04/19'	

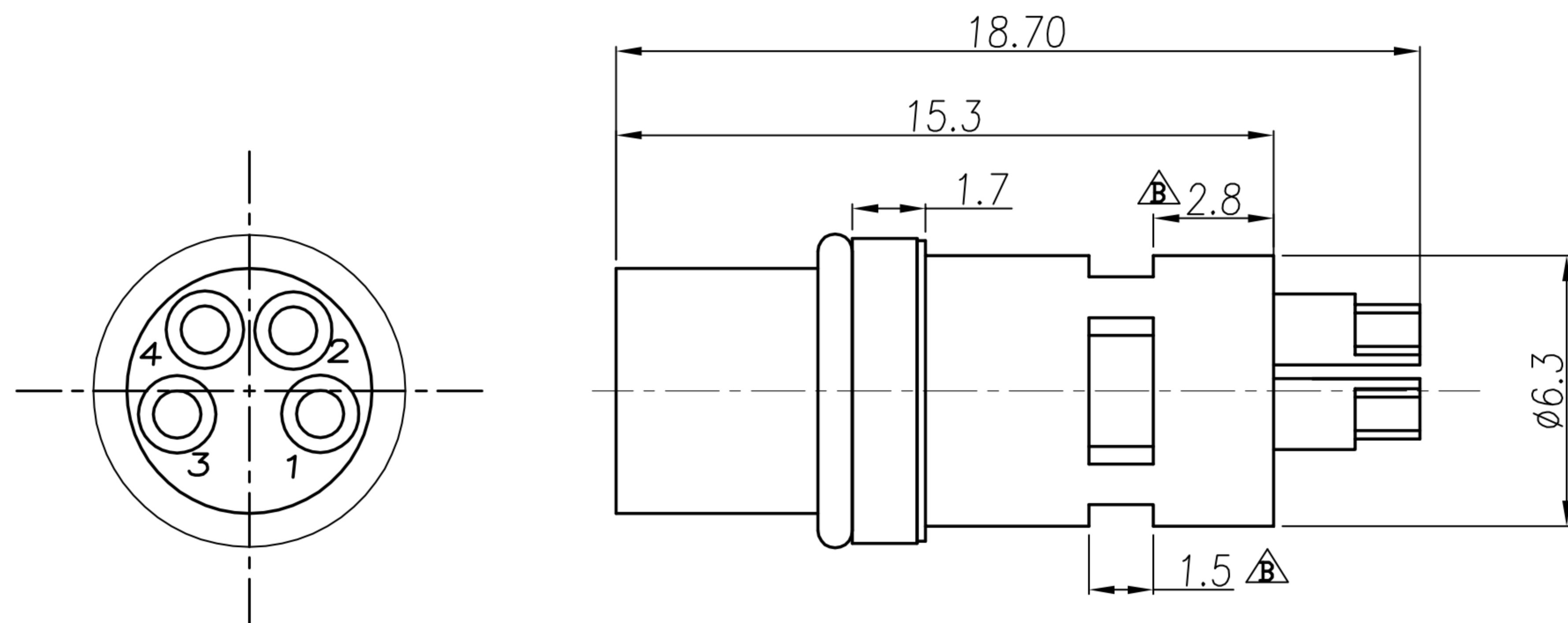
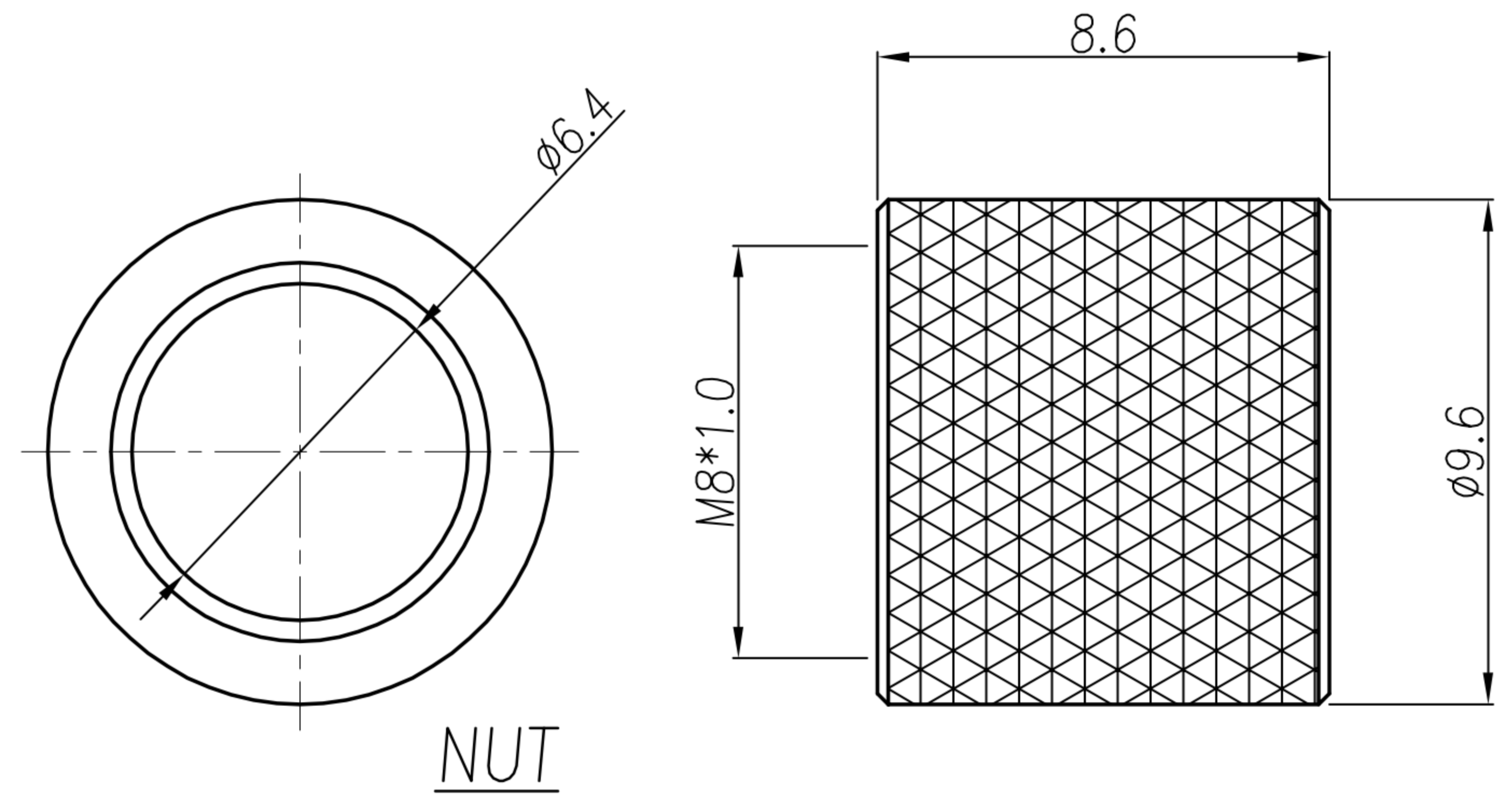


TABLE A

2PIN	3PIN	4PIN
WP-02F2-78-11	△WP-03F2-115-11	WP-04F2-210-11



NOTE

- MATERIAL :
 - 1-1. HOUSING : PBT UL94V-0 ; COLOR : BLACK
 - 1-2. CONTACT : PHOSPHOR BRONZE
 - 1-3. NUT : BRASS
 - 1-4. GROUND : BRASS
 - 1-5. O-RING : NBR
- FINISH :
 - 2-1. CONTACT A : 10 MICRO INCHES MIN. GOLD PLATED
UNDER PLATE : NICKEL
 - 2-2. NUT : NICKEL PLATED
 - 2-3. GROUND : NICKEL PLATED
- ELECTRICAL SPECIFICATION :
 - 3-1. Rated current : 3A
 - 3-2. Rated Voltage : 30V
 - 3-3. Water proof : IPX7
- Environmental :
 - 4-1. Operation Temperature : -20℃~85℃

DRAW	Mark Kao	APPVL	Emily Suen	UNIT	mm	TOLERANCE			广东科斯达电子科技有限公司 GUANG DONG KE SI DA ELECTRONIC TECHNOLOGY CO., LTD.	TITLE	M8 (F)線端+接地剖溝 螺母(L8.6)			SHEET	
CHECK	Emily Suen			SCALE	1:1					PART NO.	SEE TABLE A	DWG NO.	QC8890	VERSION	