

CUSTOMER DRAWING

| REV. | DESCRIPTION | APPVL. BY | DATE      | ECN NO. |
|------|-------------|-----------|-----------|---------|
| F    | RELEASE     | Fido Weng | 12/02/09' |         |
| G    |             |           |           |         |
| H    |             |           |           |         |

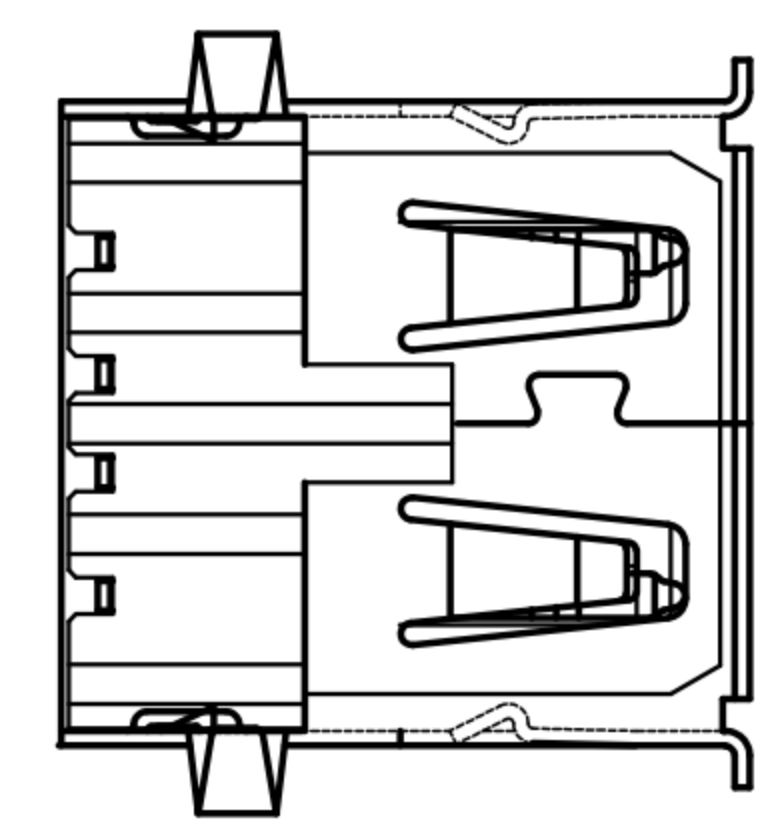
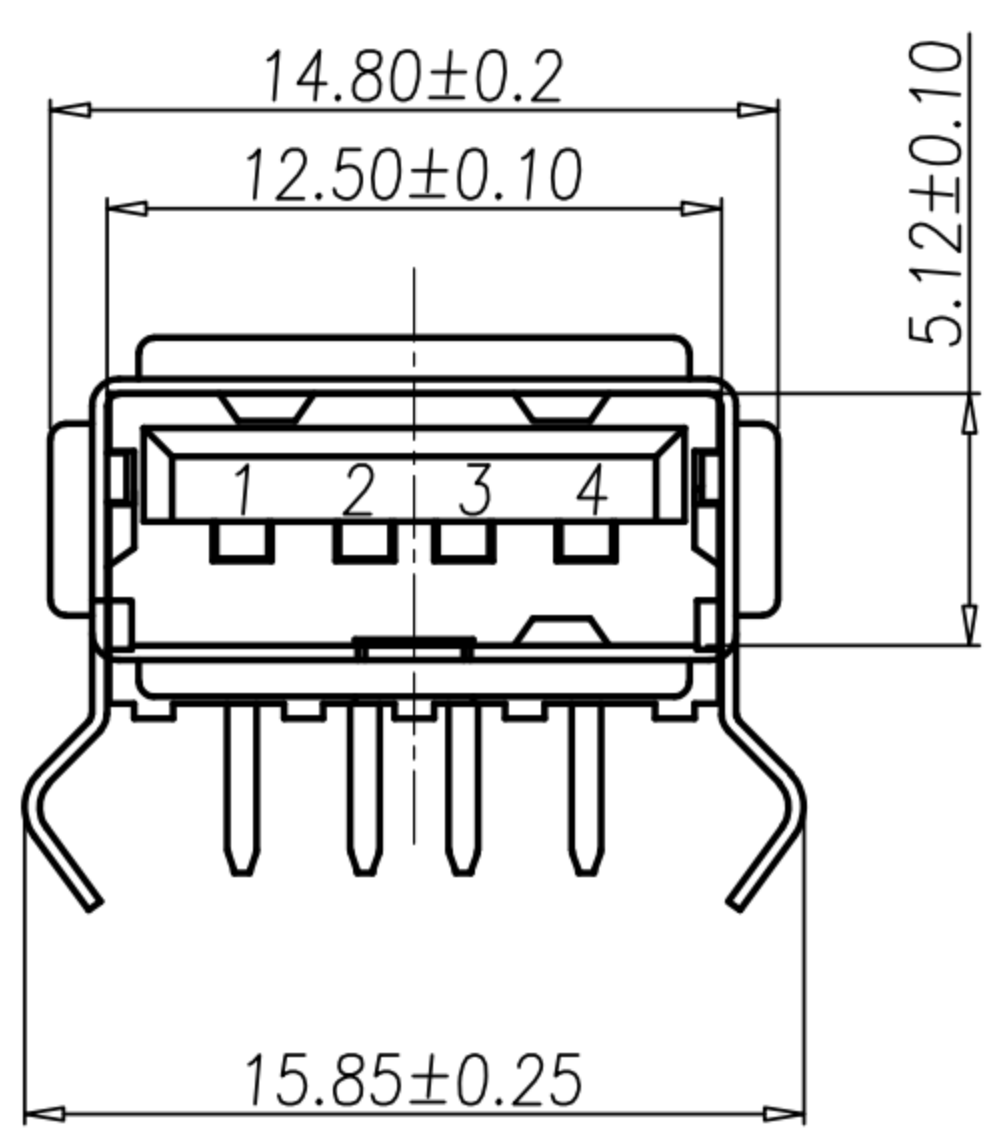
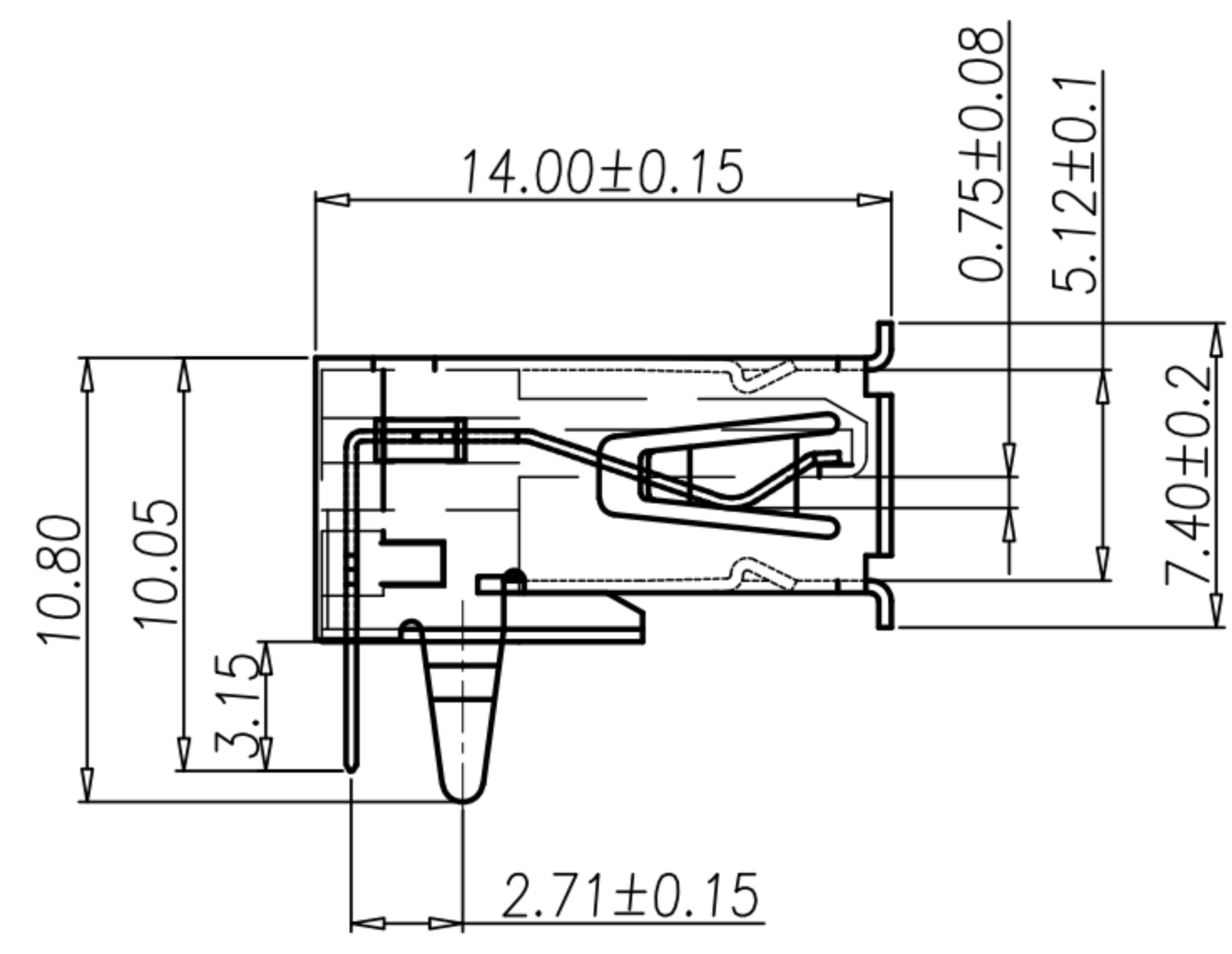
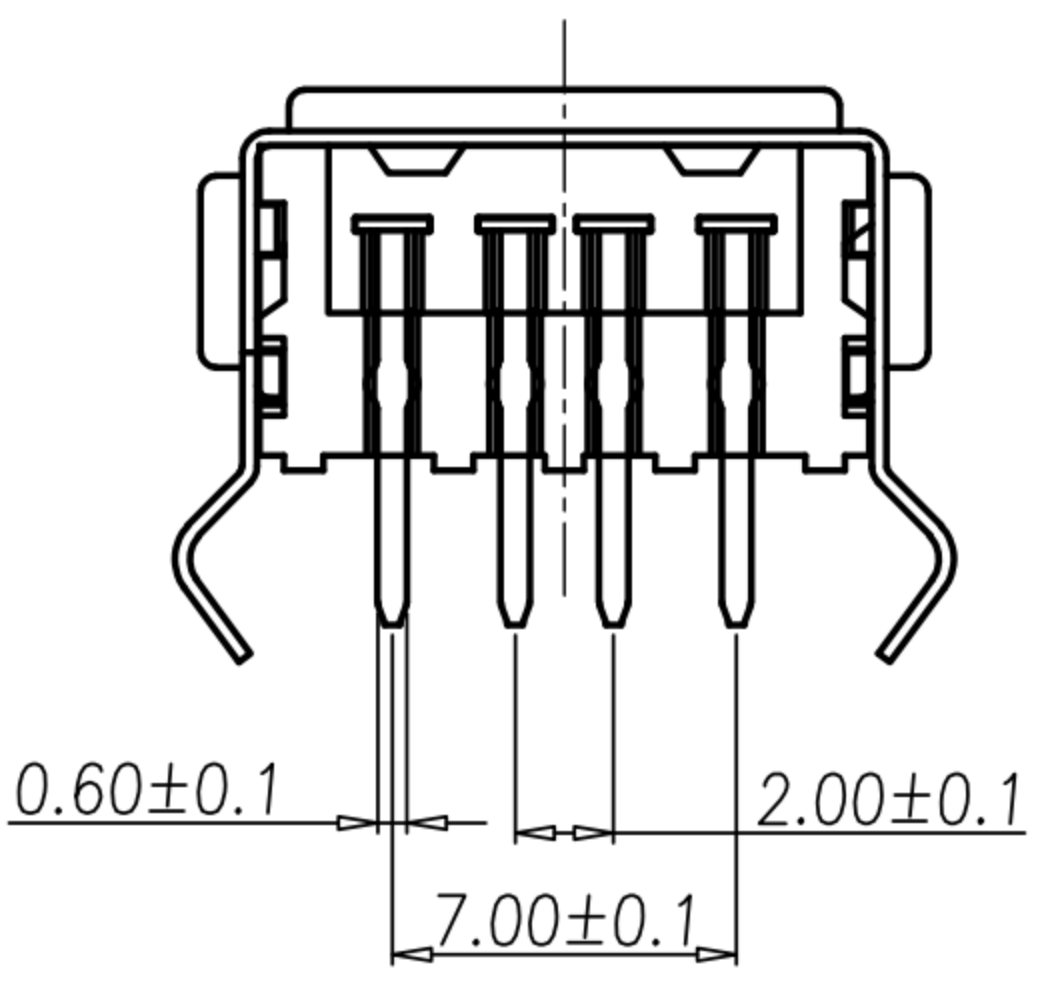
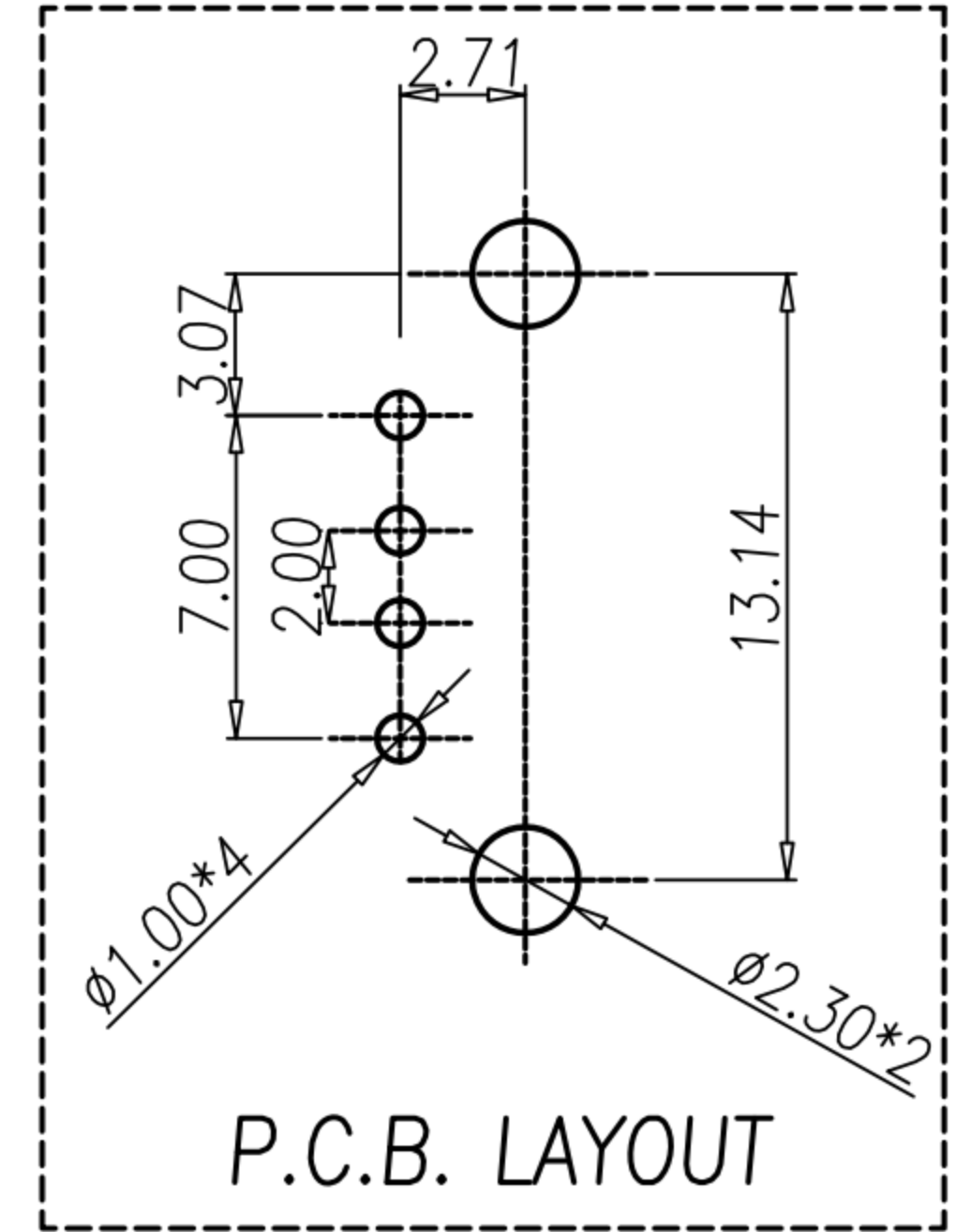
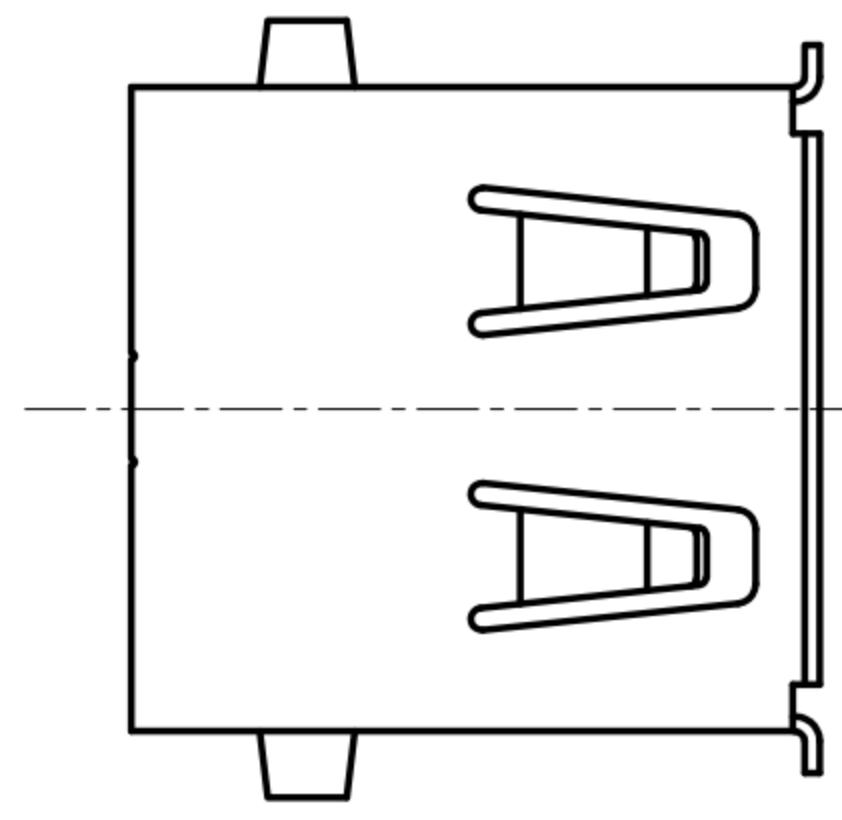


TABLE A

|            |                      |         |
|------------|----------------------|---------|
| US-04F3-16 | USB A(F)DIP TYPE 90° | 黑色      |
| US-04F3-02 | USB A(F)DIP TYPE 90° | 白色      |
| P/N        | DESCRIPTION          | HOUSING |

1. MATERIAL :
  - 1-1. HOUSING : PBT UL94V-0 ; COLOR : TABLE A
  - 1-2. CONTACT : BRASS
  - 1-3. SHELL : K7
2. FINISH :
  - 2-1. CONTACT : CONTACT AREA : GOLD FLASH
  - 2-2. SHELL : NICKEL

|       |            |       |            |       |     |                                                                  |  |                                                                      |          |                      |         |        |         |        |
|-------|------------|-------|------------|-------|-----|------------------------------------------------------------------|--|----------------------------------------------------------------------|----------|----------------------|---------|--------|---------|--------|
| DRAWN | Jen Xie    | APP'D | Emily Suen | UNIT  | mm  | TOLERANCE                                                        |  | 广东科斯达电子科技有限公司<br>GUANG DONG KE SI DA ELECTRONIC TECHNOLOGY CO., LTD. | TITLE    | USB A(F)DIP TYPE 90° |         |        | SHEET   | 1<br>F |
| CHK'D | Emily Suen |       |            | SCALE | 1:1 | .x ±0.20<br>.xx ±0.10<br>.xxx ±0.05<br>.xxxx ±0.03<br>ANGULA ±1° |  |                                                                      | PART NO. | US-04F3-02           | DWG NO. | QC1472 | VERSION |        |