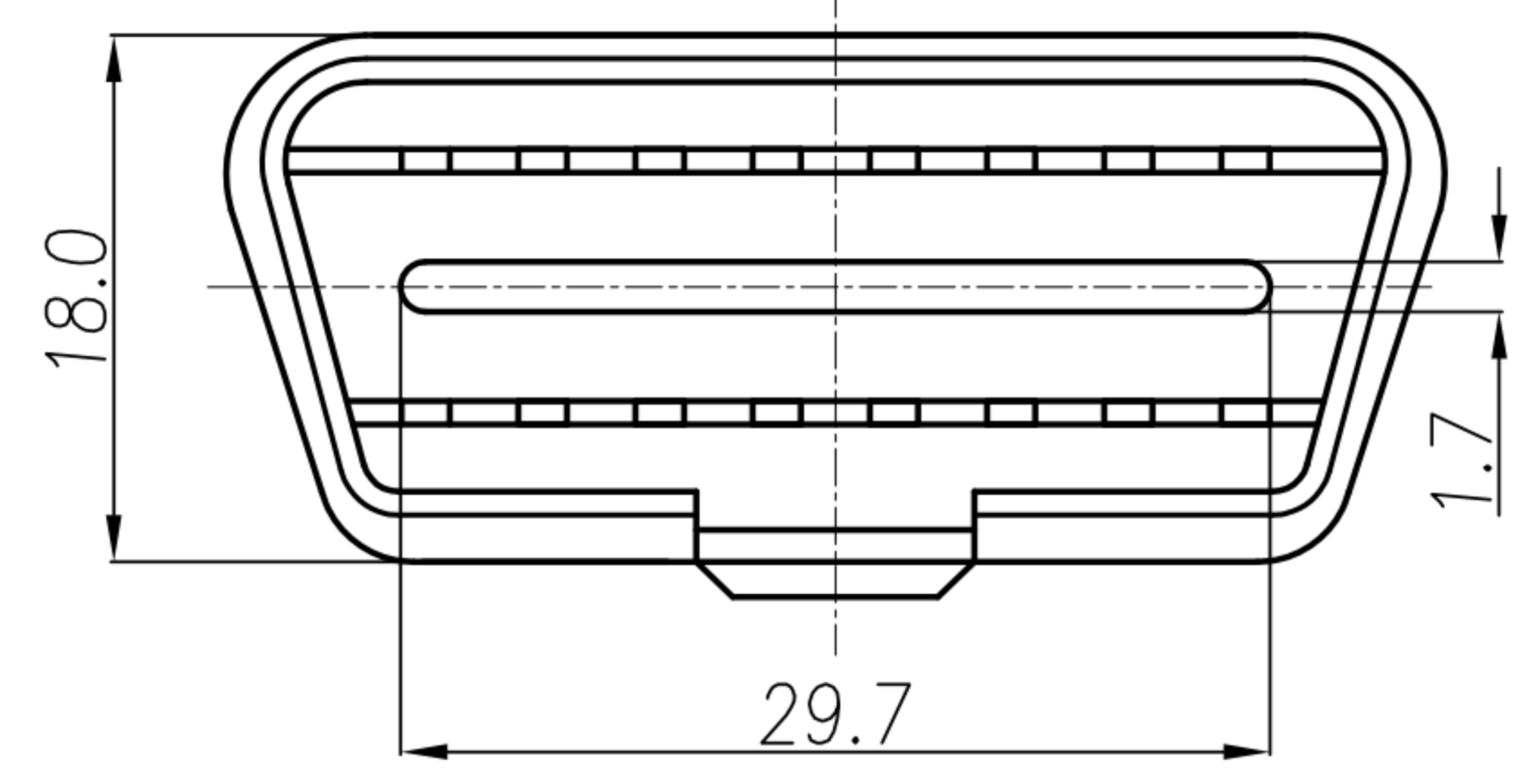
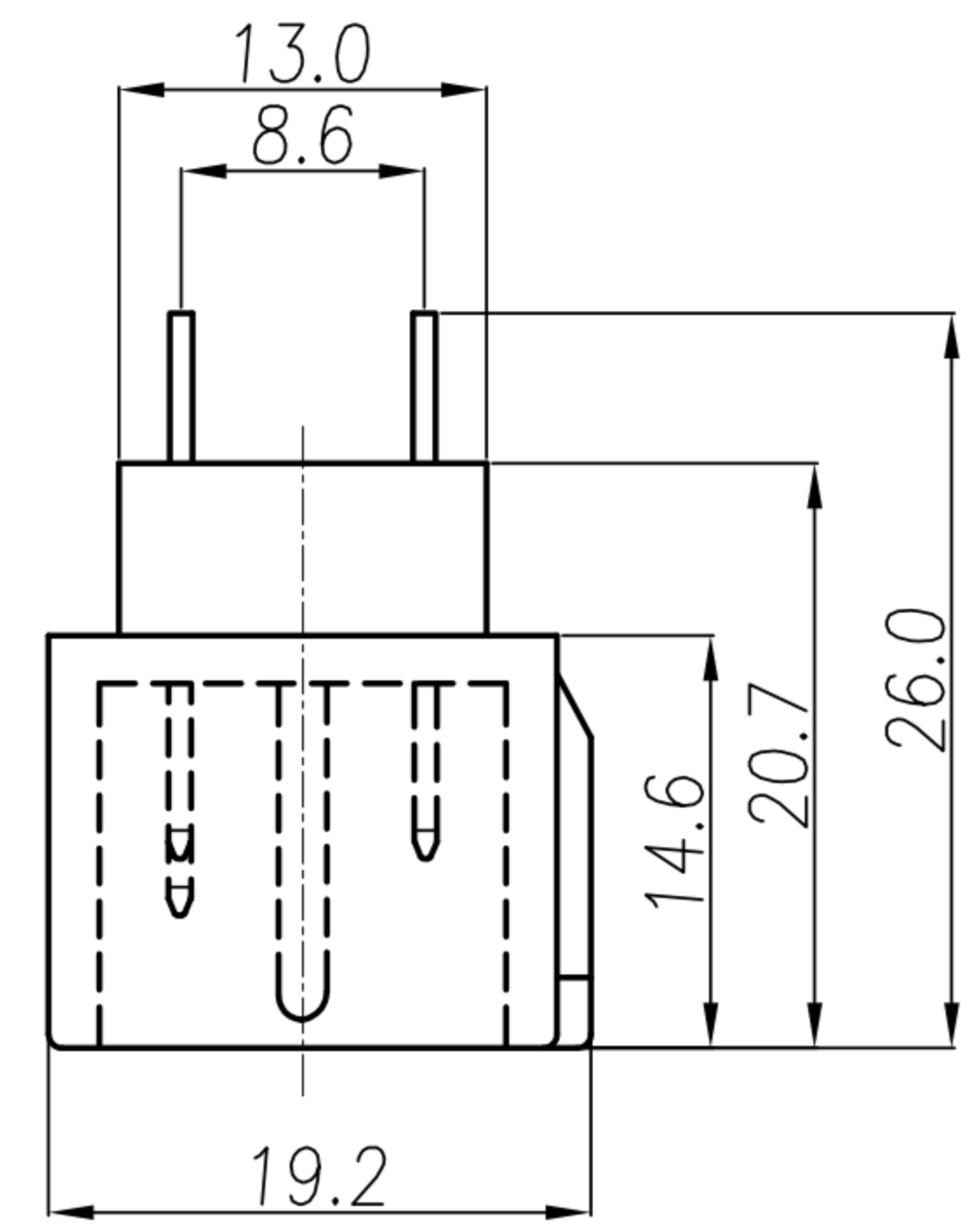
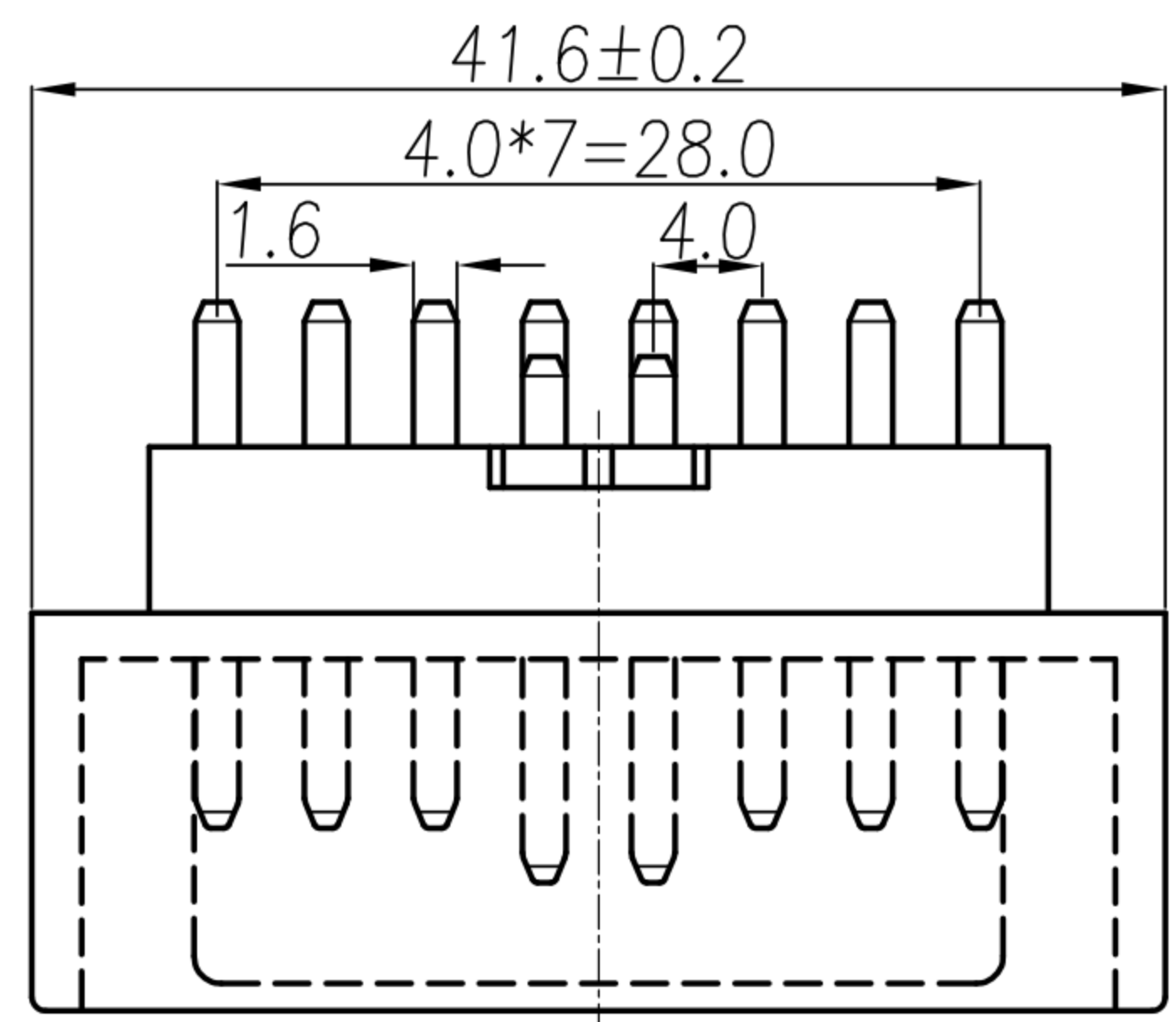
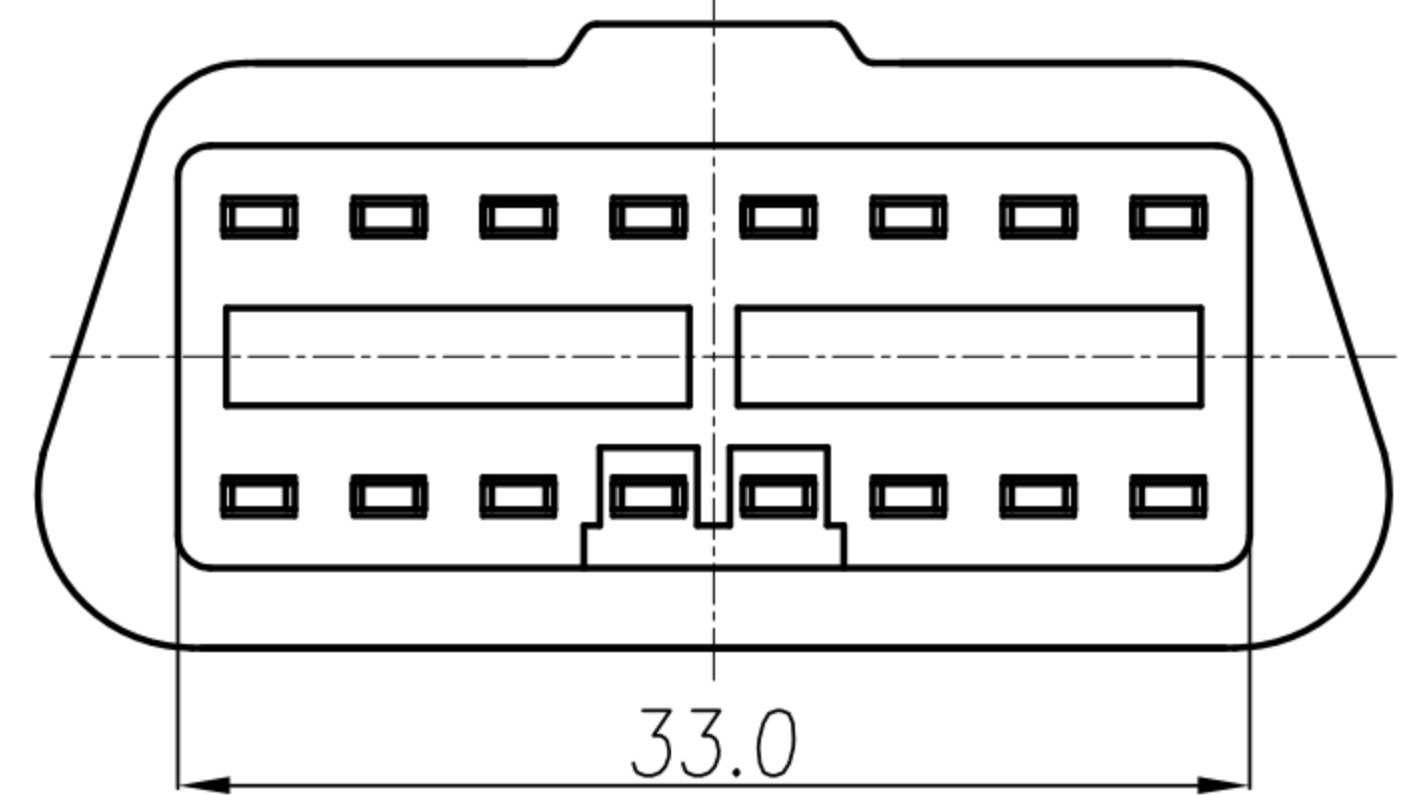


CUSTOMER DRAWING

| REV. | DESCRIPTION                    | APPROVED BY | DATE      | ECN NO.  |
|------|--------------------------------|-------------|-----------|----------|
| A    | RELEASE                        | Fido Weng   | 04/29/05' | ECN09055 |
| B    | ADD NEW PART NO.               | Fido Weng   | 28/04/09' | ECN09068 |
| C    | DELETE OBD2-16M1-24 IN TABLE A | Fido Weng   | 08/11/10' | ECN10123 |



NOTE:  
 1. MATERIAL:  
 1-1.HOUSING: SEE TABLE A  
 1-2.CONTACT: BRASS ,t=0.80mm  
 2. PLATING:  
 2-1.CONTACT: SEE TABLE A

TABLE A

|              |                        |                 |                  |                |
|--------------|------------------------|-----------------|------------------|----------------|
| OBD2-16M1-21 | OBD2 16(M)324平(短)(全錫)  |                 | BRIGHT TIN 100u" | NYLON 66+15%GF |
| OBD2-16M1-19 | OBD2 16(M)324平(短)(半金錫) | BRIGHT TIN 60u" | GOLD FLASH       | NYLON 66+15%GF |
| P/N          | DESCRIPTION            | SOLDER PLATED   | CONTACT PLATED   | HOUSING        |

|       |            |       |           |       |     |  |  |  |          |             |         |        |         |   |
|-------|------------|-------|-----------|-------|-----|--|--|--|----------|-------------|---------|--------|---------|---|
| DRAWN | Jen Xie    | APP'D | Fido Weng | UNIT  | mm  | TOLERANCE  |  | 广东科斯达电子科技有限公司<br>GUANG DONG KE SI DA ELECTRONIC TECHNOLOGY CO., LTD. | TITLE    | SEE TABLE A |         |        | SHEET   | 1 |
| CHK'D | Emily Suen |       |           | SCALE | 1:1 | .x ±0.10<br>.xx ±0.05<br>.xxx ±0.03<br>.xxxx ±0.01<br>ANGULA ±1° |  |  | PART NO. | SEE TABLE A | DWG NO. | QC4214 | VERSION | C |