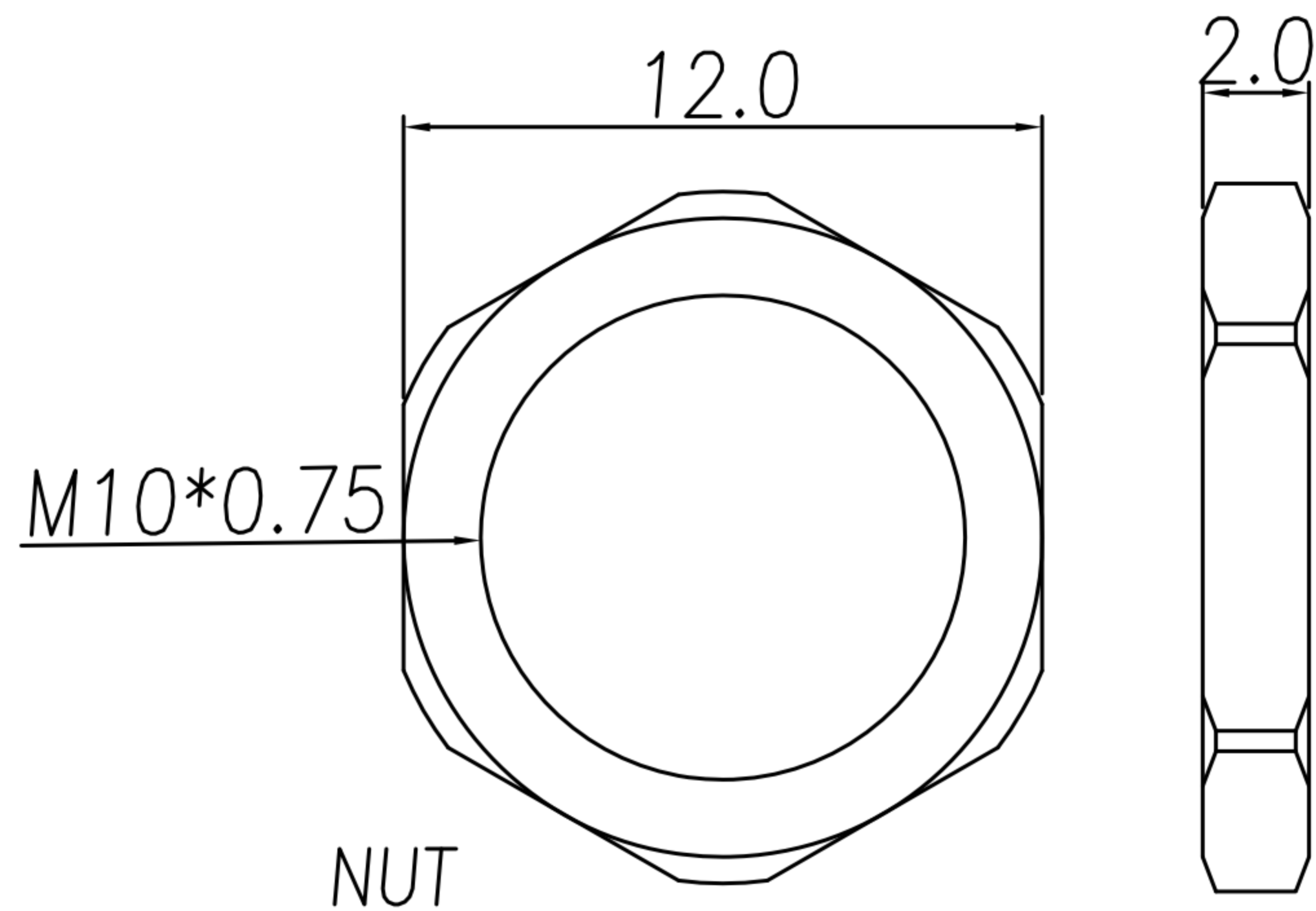
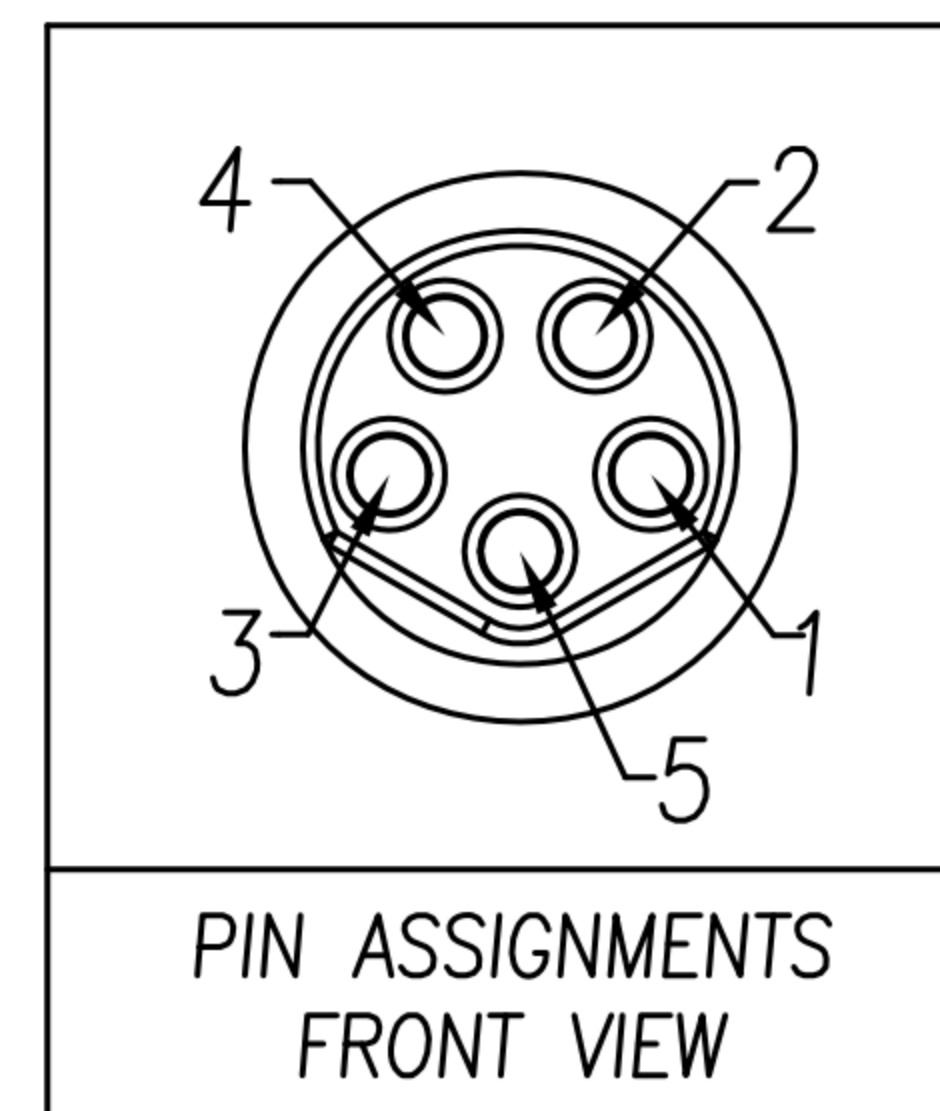
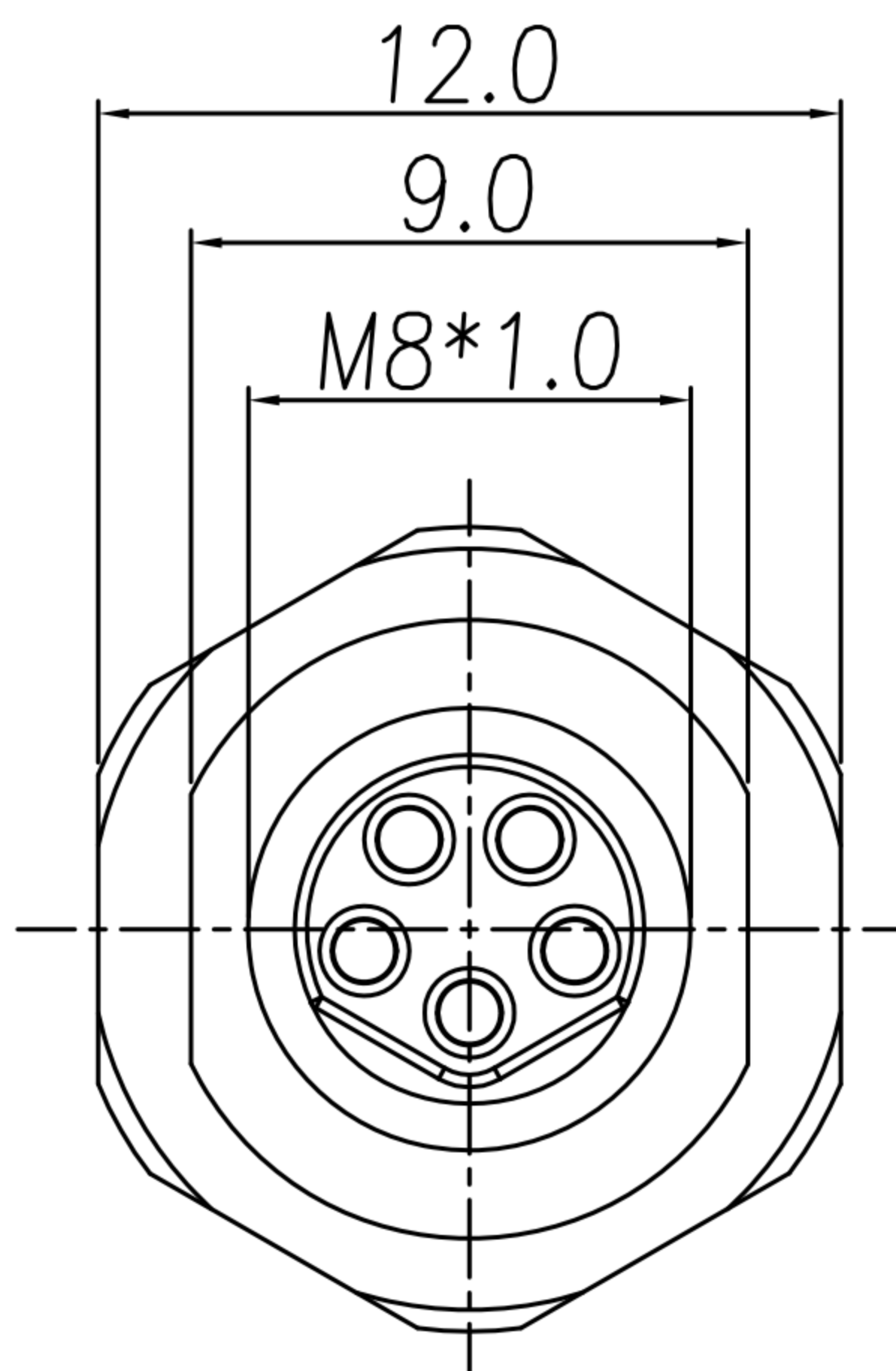
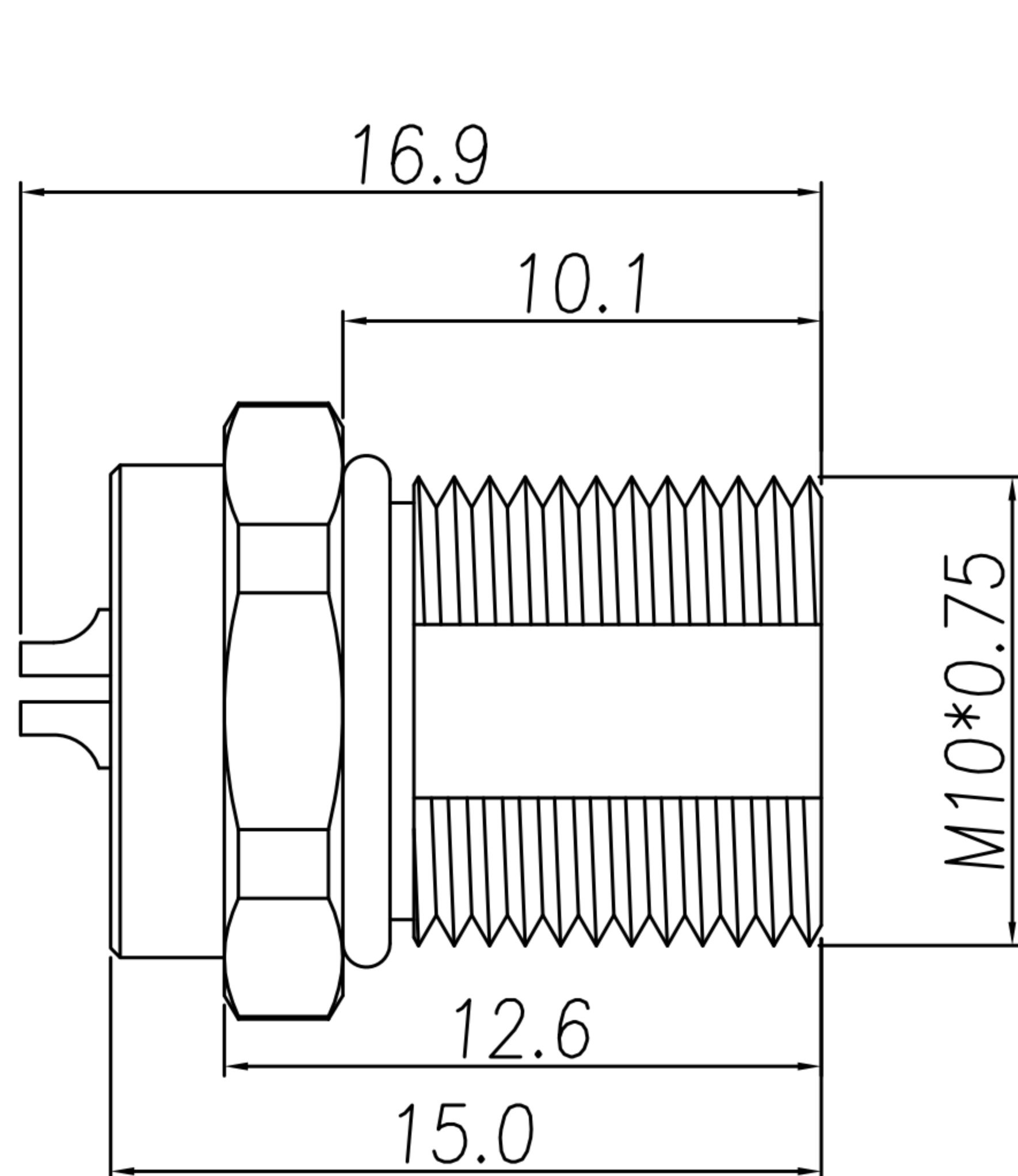


CUSTOMER DRAWING

REV.	DESCRIPTION	APPVL. BY	DATE	ECN NO.
A	RELEASE	Fido Weng	09/01/24'	
B				
C				



NOTE:

- MATERIAL :
  - 1-1. HOUSING : PA66 ; COLOR : BLACK
  - 1-2. CONTACT : BRASS.
  - 1-3. SHELL : BRASS.
  - 1-4. NUT : BRASS.
  - 1-5. O-RING : EPDM ; COLOR : BLACK
- FINISH :
  - 2-1. CONTACT : GOLD FLASH PLATED
  - 2-2. SHELL : NICKEL PLATED.
  - 2-3. NUT : NICKEL PLATED.
- ELECTRICAL SPECIFICATION :
  - 3-1. Rated current : 3A
  - 3-2. Rated Voltage : 30V
  - 3-3. Water proof : IP67
- Environmental :
  - 4-1. Operation Temperature : -40℃~105℃

DRAW	Mark Kao	APPVL	Emily Suen	UNIT	mm	TOLERANCE		广东科斯达电子科技有限公司 GUANG DONG KE SI DA ELECTRONIC TECHNOLOGY CO., LTD.	TITLE	M8 5PIN(F) B CODED前鎖M10*0.75焊線式			SHEET	1/1
CHECK	Ku Chou			SCALE	1:1				PART NO.	WP-05F2-251-11	DWG NO.	QC10924	VERSION	A