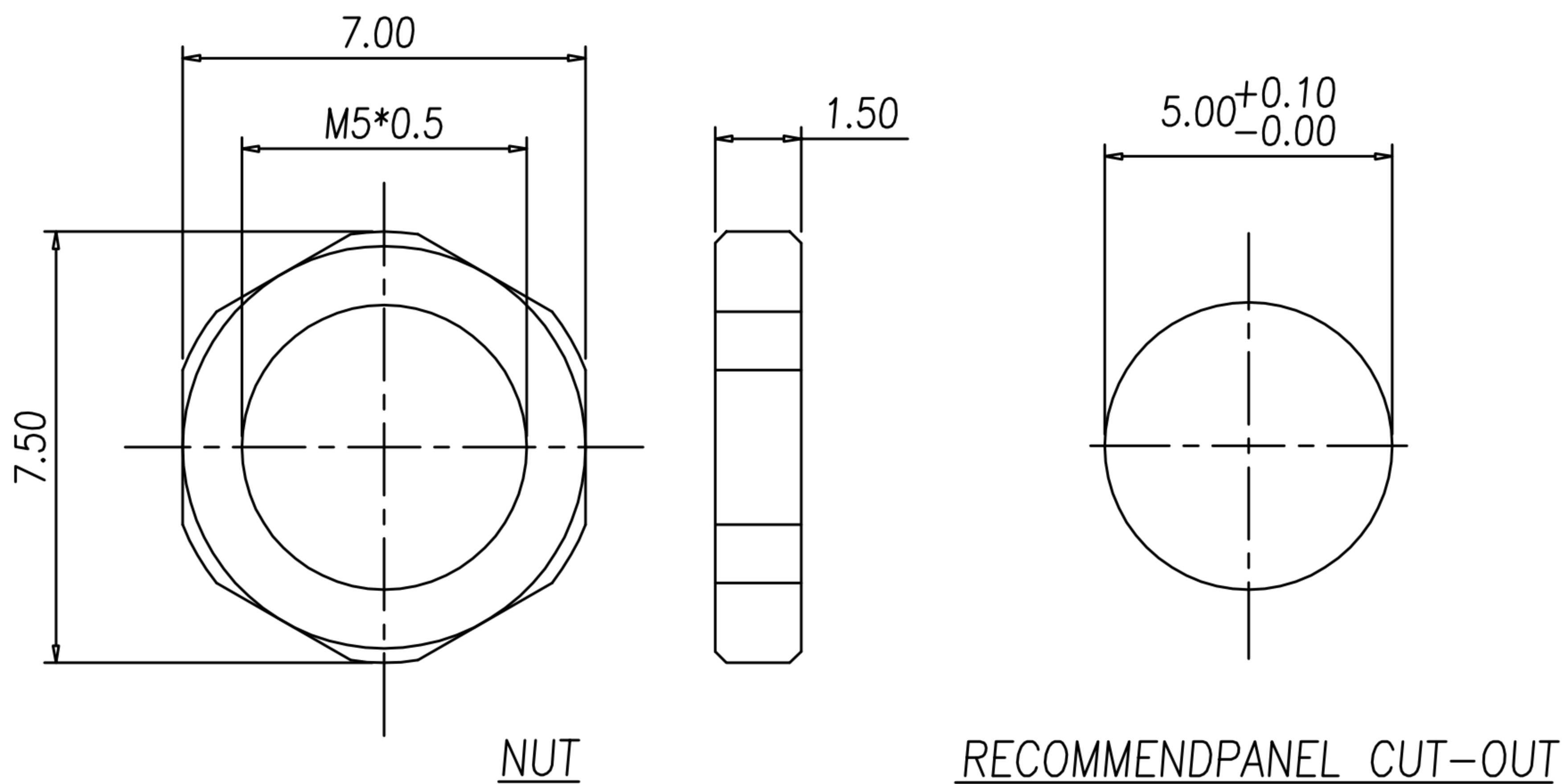
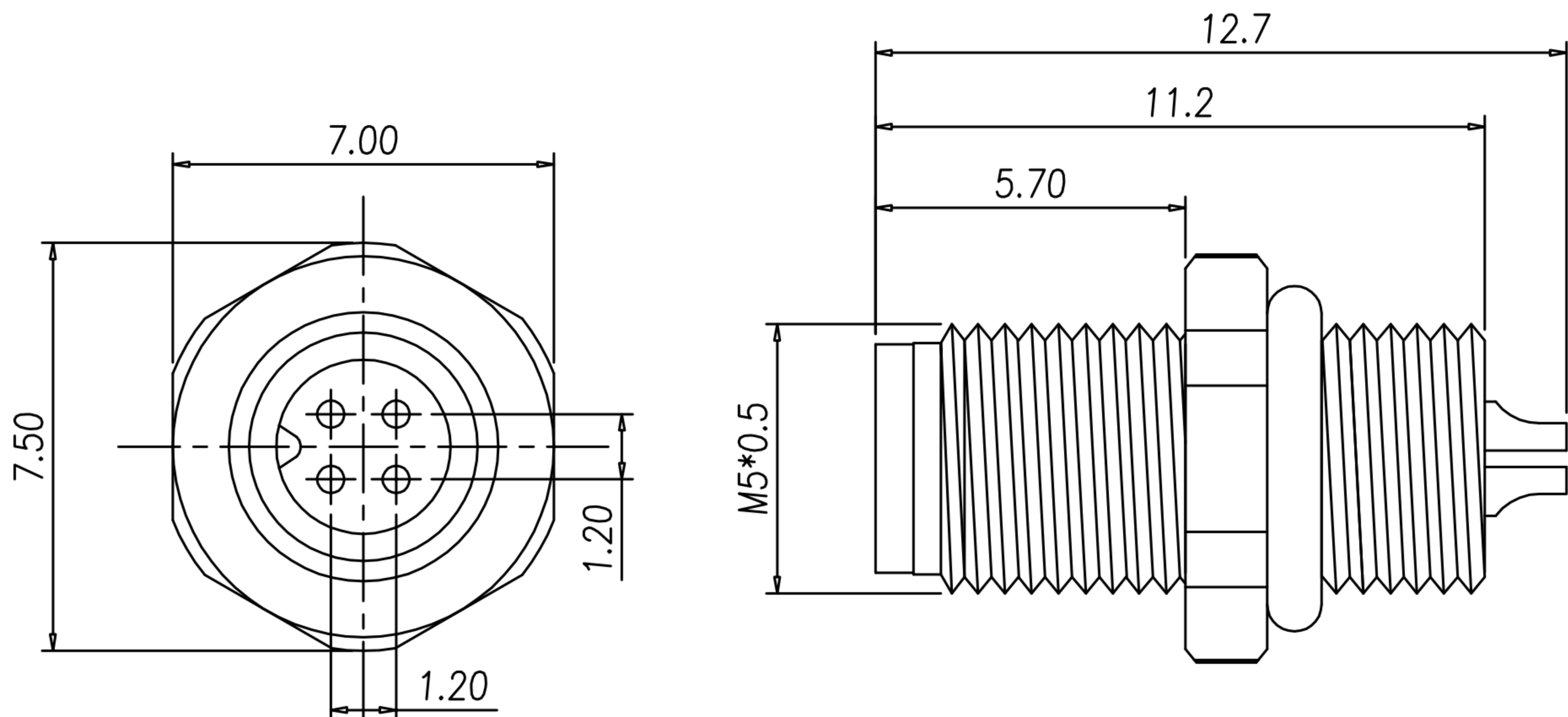


CUSTOMER DRAWING

| REV. | DESCRIPTION | APPROVED BY | DATE      | ECN NO. |
|------|-------------|-------------|-----------|---------|
| A    | RELEASE     | Fido Weng   | 22/03/10* |         |
| B    |             |             |           |         |
| C    |             |             |           |         |



- MATERIAL :
  - 1-1. HOUSING : PBT UL94V-0 ; COLOR : BLACK
  - 1-2. CONTACT : BRASS
  - 1-3. NUT : BRASS
  - 1-4. SHELL : BRASS
  - 1-5. O-RING : NBR ; COLOR : BLACK
- FINISH :
  - 2-1. CONTACT : GOLD FLASH MICRO INCHES MIN.
  - 2-2. NUT : NICKEL PLATED.
  - 2-3. SHELL : NICKEL PLATED.
- ELECTRICAL SPECIFICATION :
  - 3-1. Rated current : 1A
  - 3-2. Rated voltage : 60V
  - 3-3. Water proof : IP67
- Environmental :
  - 4-1. Operation Temperature : -20°C~85°C

TABLE A

|                |               |               |
|----------------|---------------|---------------|
|                |               |               |
| WP-04M2-151-11 | WP-03M2-83-11 | WP-02M2-48-11 |

|       |            |       |           |       |     |  |  |  |          |                   |         |        |         |   |
|-------|------------|-------|-----------|-------|-----|--|--|--|----------|-------------------|---------|--------|---------|---|
| DRAWN | Ku Chou    | APP'D | Fido Weng | UNIT  | mm  | TOLERANCE  |  | 广东科斯达电子科技有限公司<br>GUANG DONG KE SI DA ELECTRONIC TECHNOLOGY CO., LTD. | TITLE    | M5*0.5 (M) 後鎖板焊線式 |         |        | SHEET   | 1 |
| CHK'D | Emily Suen |       |           | SCALE | 1:1 | .x ±0.20<br>.xx ±0.10<br>.xxx ±0.05<br>.xxxx ±0.03<br>ANGULA ±1° |  |  | PART NO. | SEE TABLE A       | DWG NO. | QC8134 | VERSION | A |