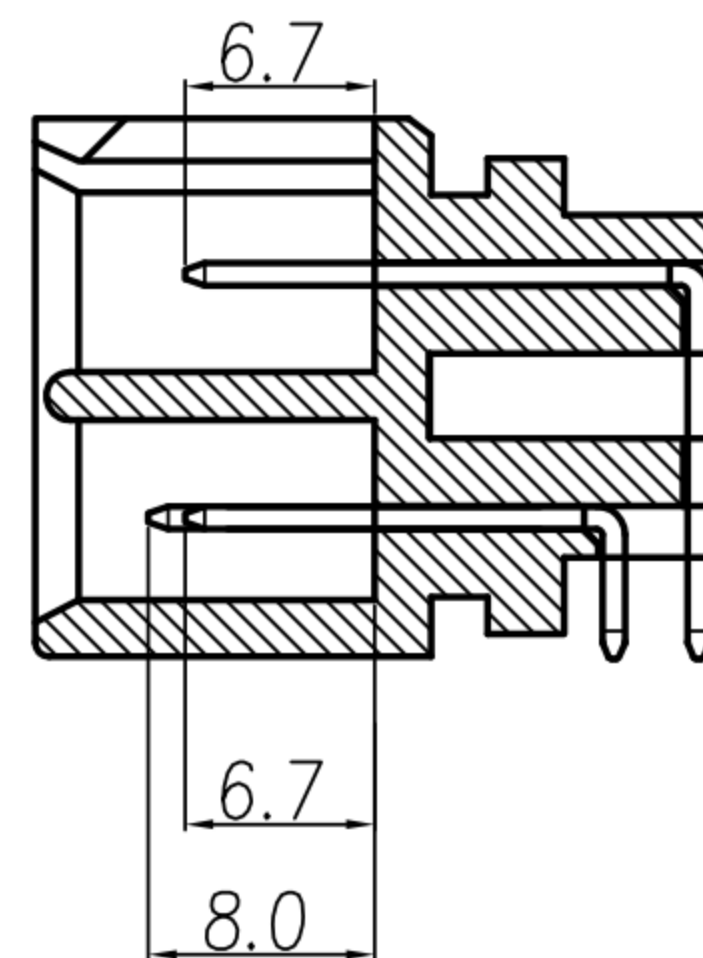
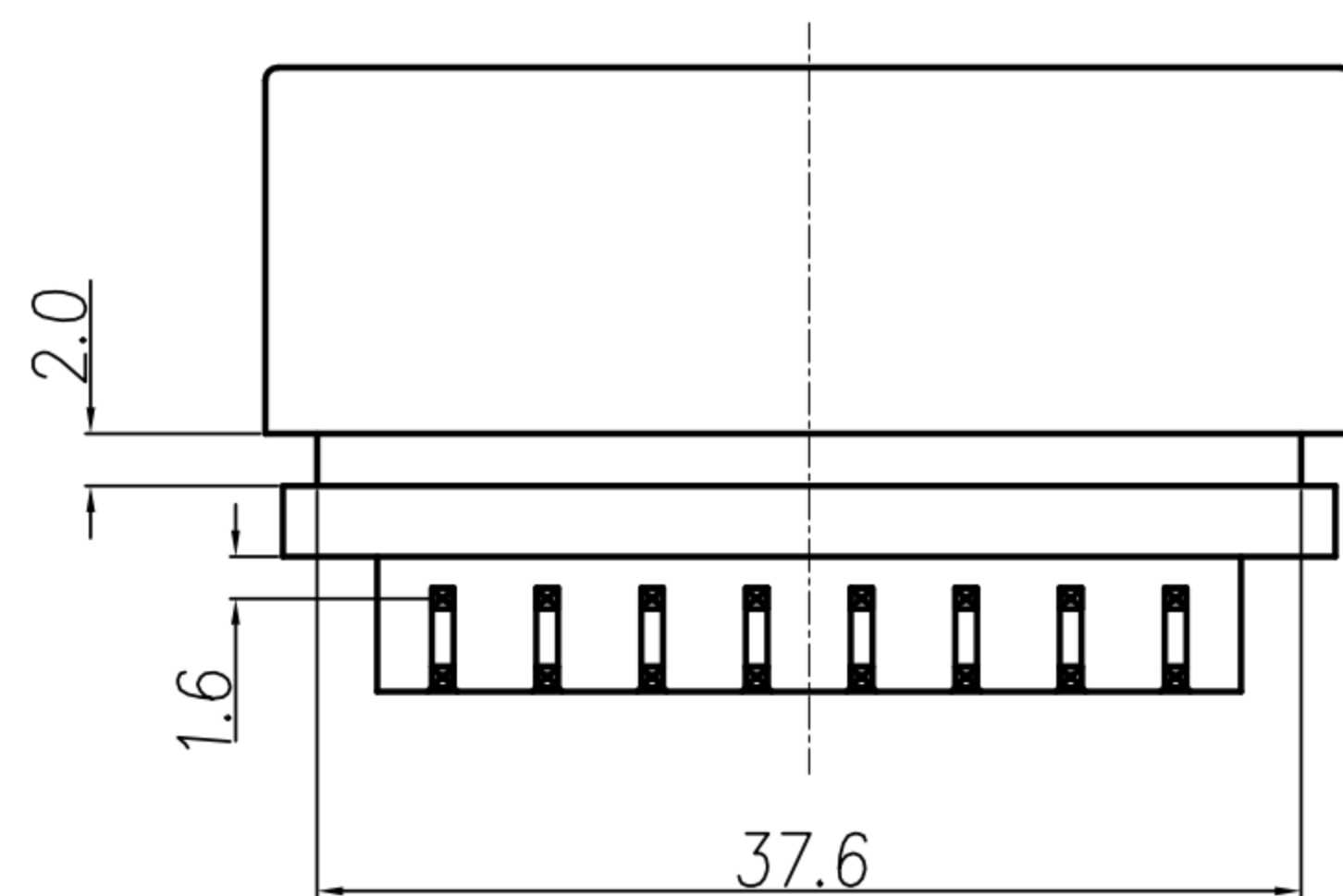
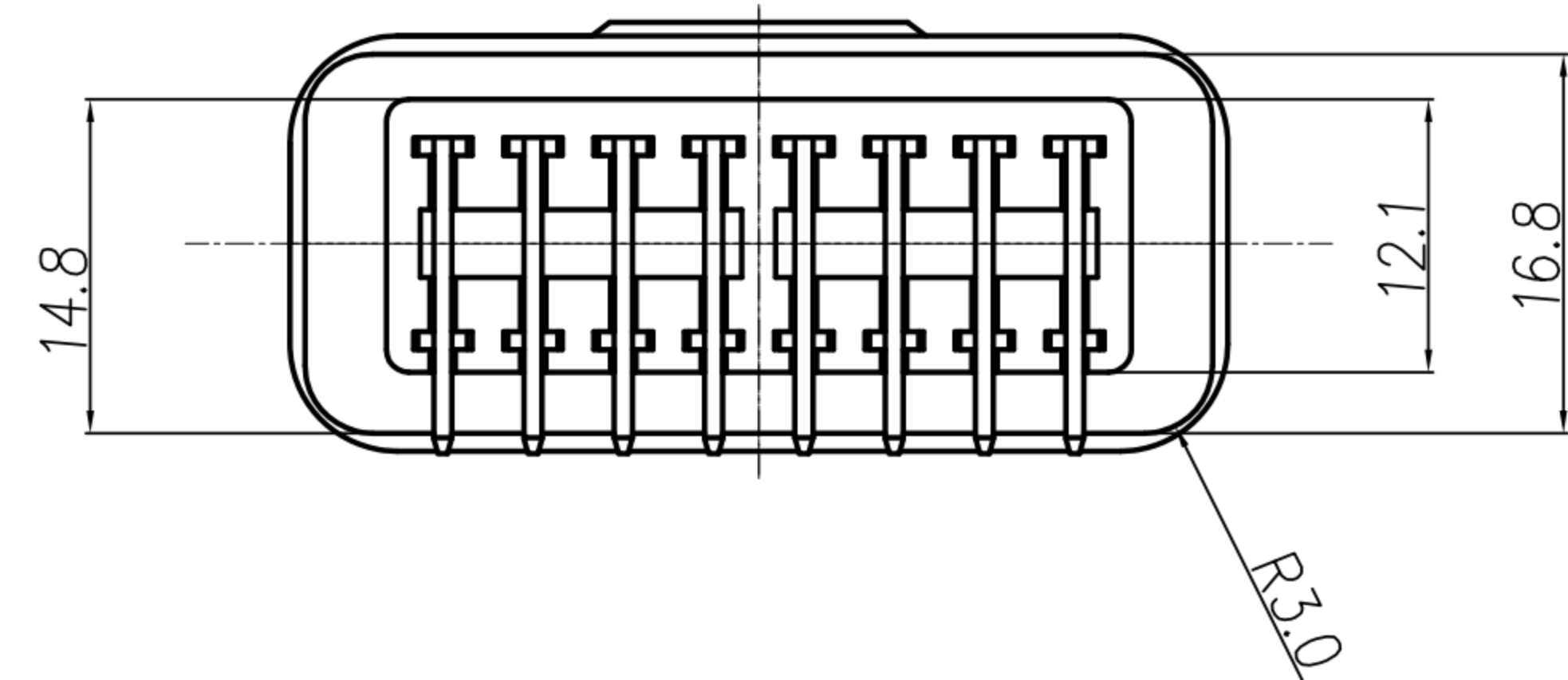
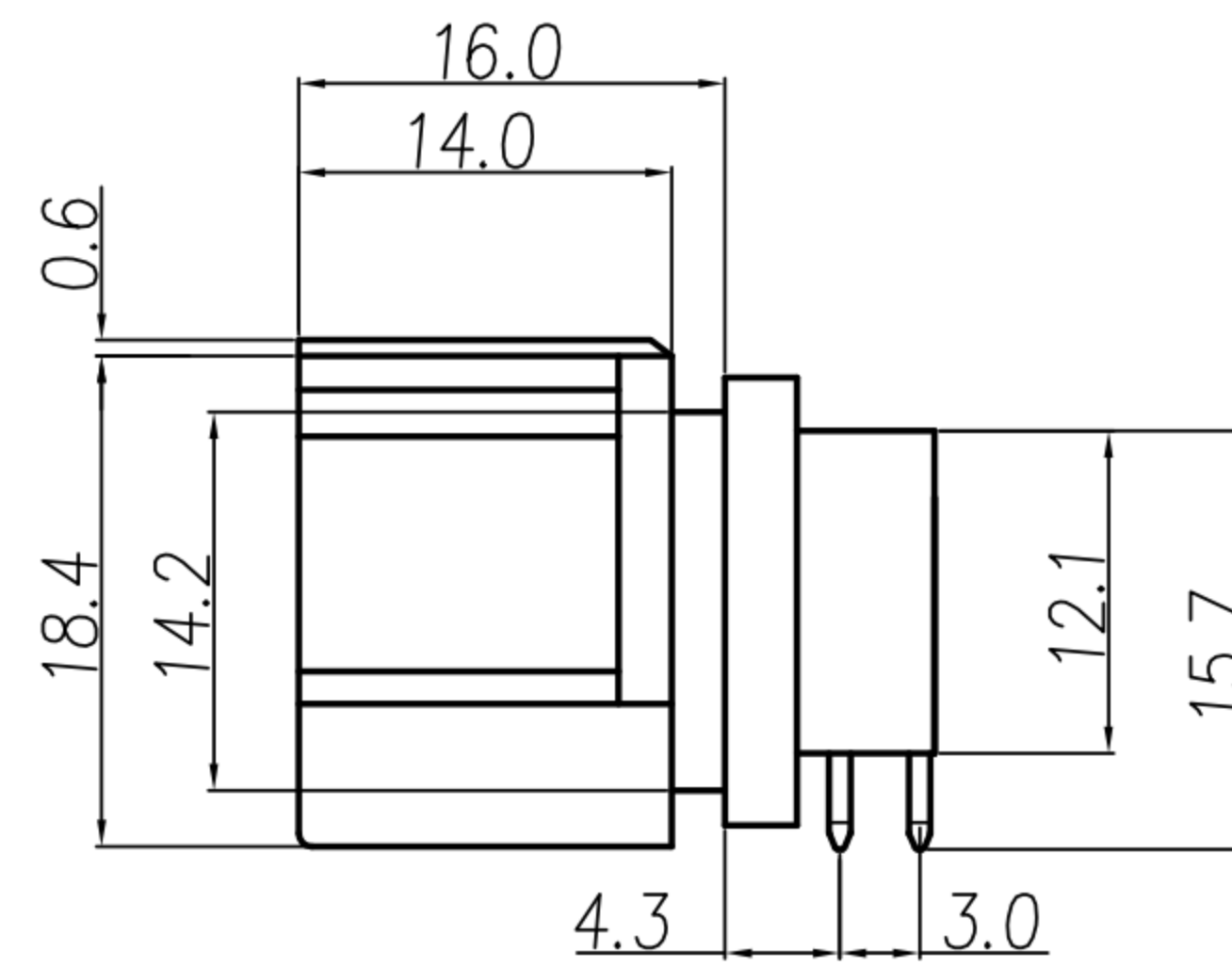
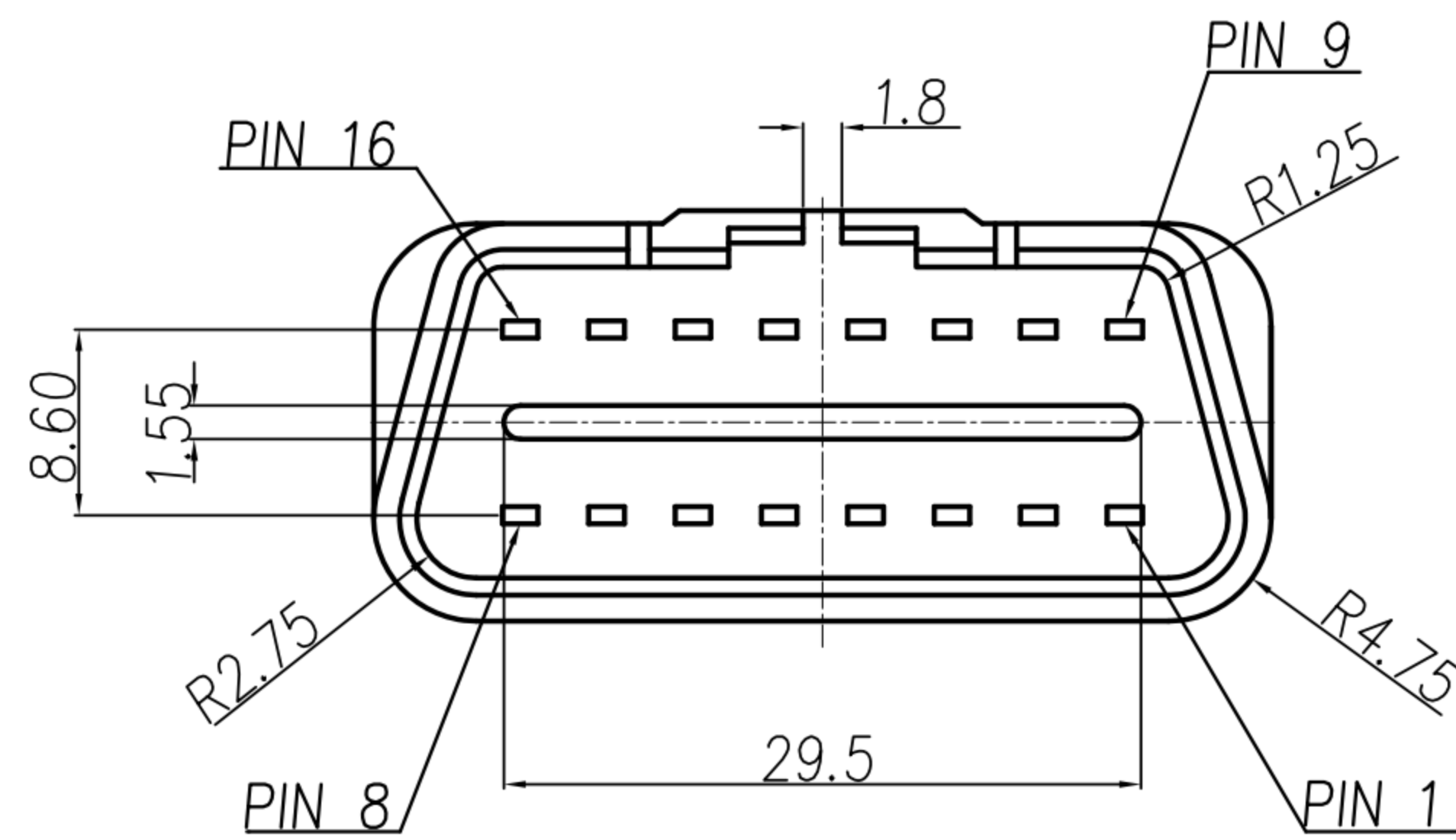
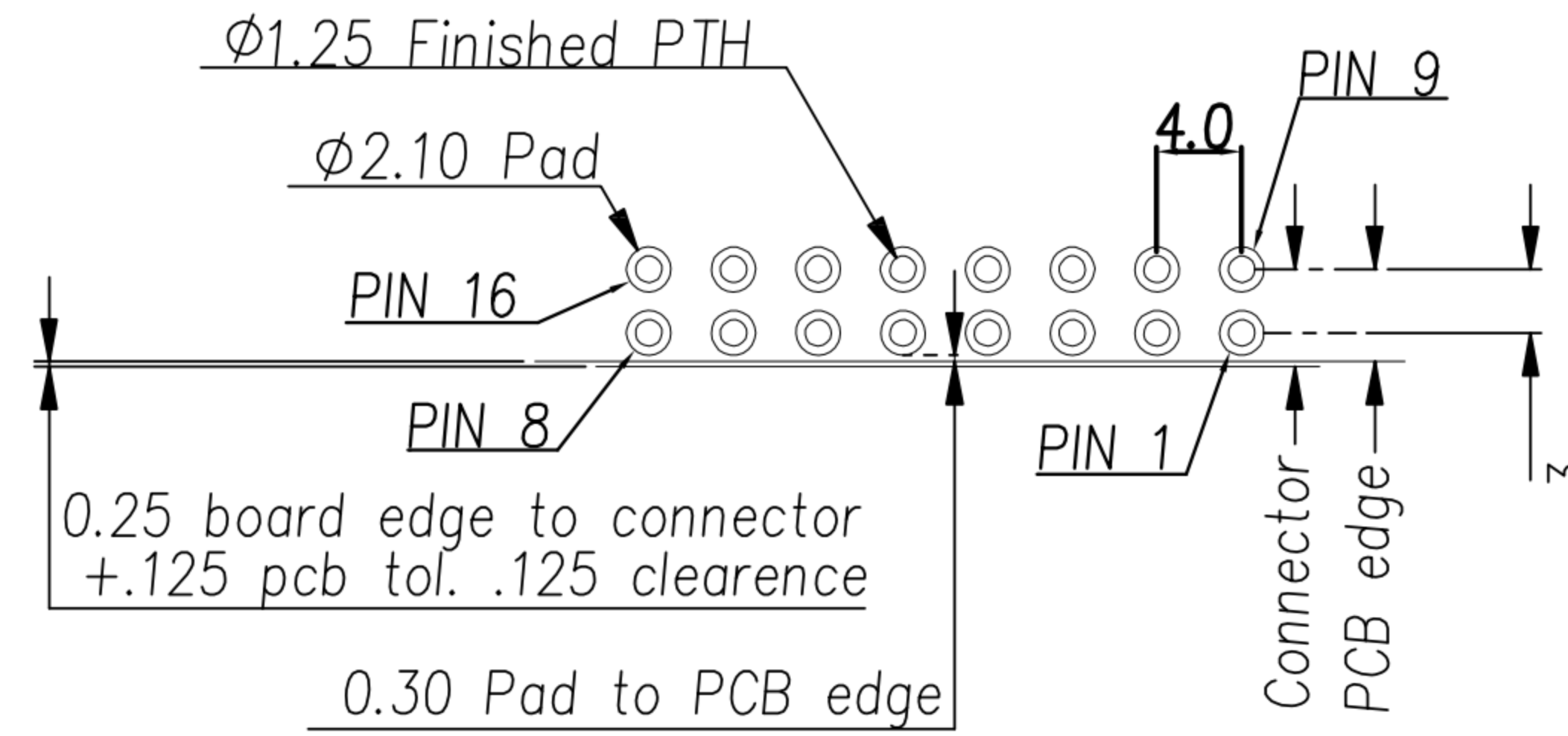
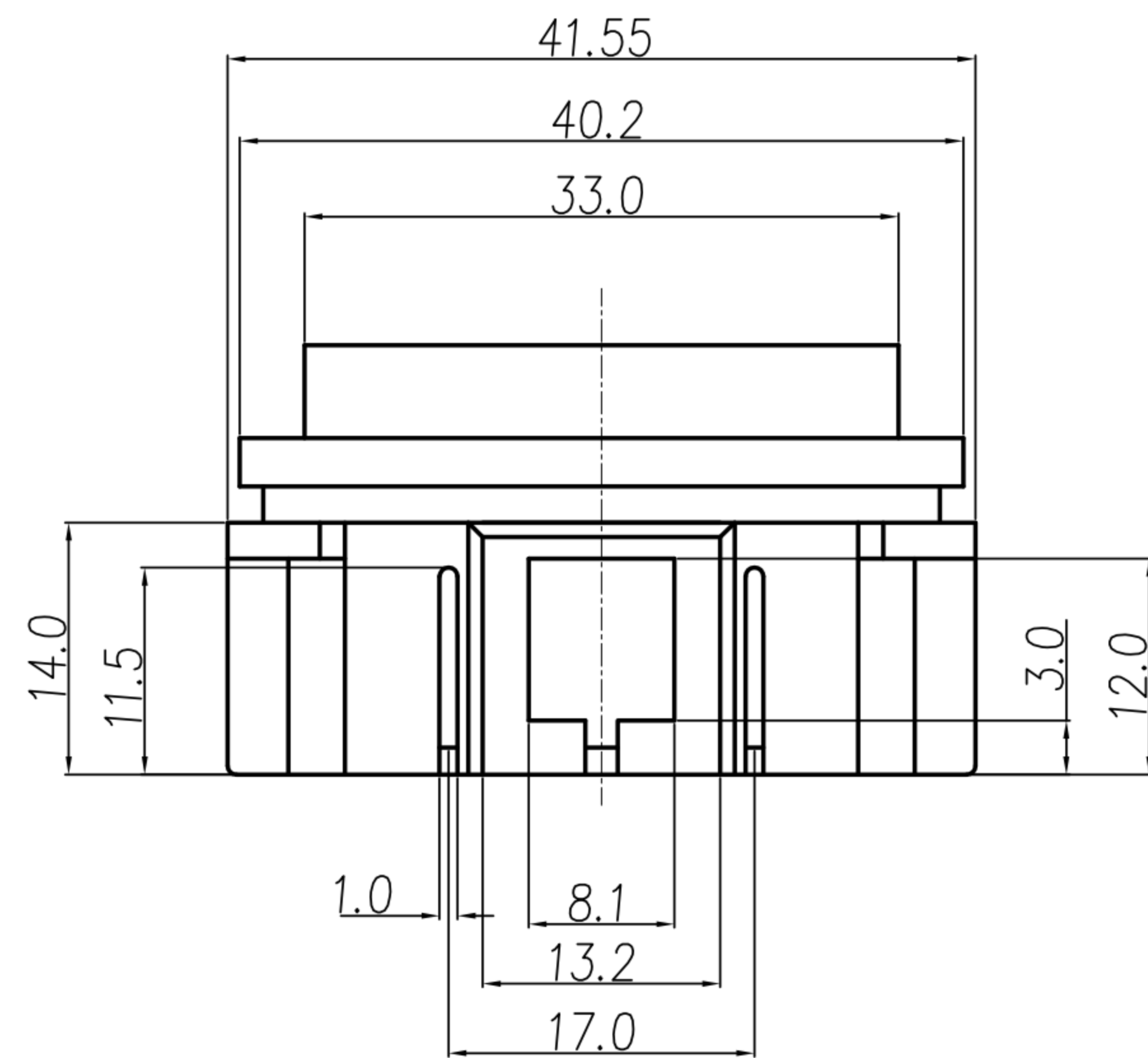


CUSTOMER DRAWING

REV.	DESCRIPTION	APPROVED BY	DATE	ECN NO.
A	RELEASE	Fido Weng	30/08/11'	
B				
C				



- MATERIAL :
 - HOUSING : NYLON 66 ; COLOR : BLACK
 - CONTACT : BRASS
- FINISH :
 - CONTACT : BRIGHT TIN UNDERPLATED NICKEL.
- Environmental :
 - Operation Temperature : -40~85℃

DRAWN	KU	APPEND	Emily Suen	UNIT	mm	TOLERANCE		广东科斯达电子科技有限公司 GUANG DONG KE SI DA ELECTRONIC TECHNOLOGY CO., LTD.	TITLE	OBD2 16(M)90度插件(防呆方孔)			SHEET	
CHKD	Emily Suen			SCALE	1:1	.x ±0.20 .xx ±0.10 .xxx ±0.05 .xxxx ±0.03 ANGULA ±1°			PART NO.	OBD2-16M3-03	DWG NO.	QC5496	VERSION	