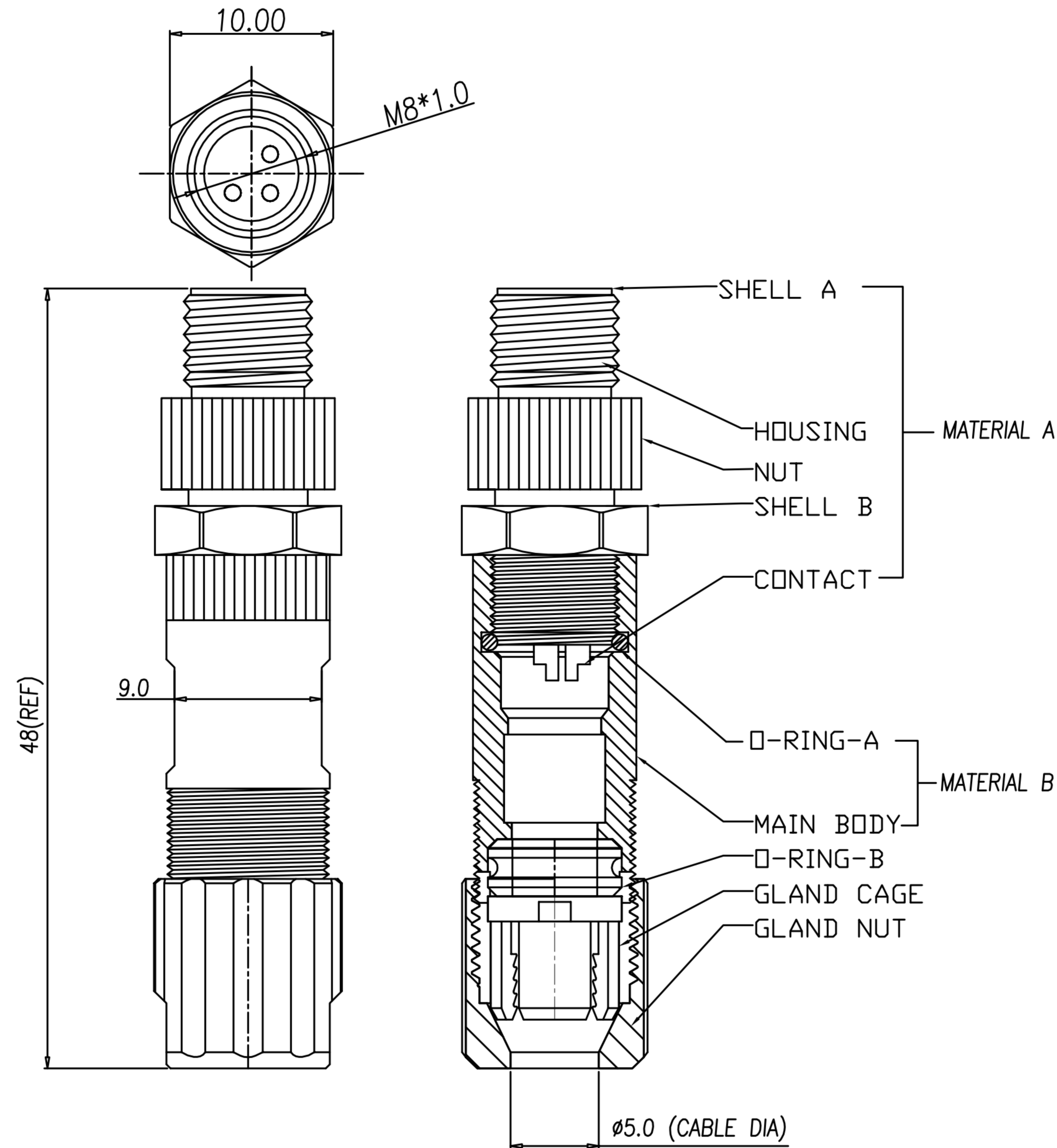


CUSTOMER DRAWING

REV.	DESCRIPTION	APPROVED BY	DATE	ECN NO.
A	RELEASE	Fido Weng	02/08/17*	
B				
C				

WP-04M2-150-11	WP-03M2-81-11



1. MATERIAL :
  - 1-1. MATERIAL A
    - a. HOUSING : PBT UL94V-0 ; COLOR : BLACK.
    - b. CONTACT : BRASS
    - c. NUT : ALUMINIUM ALLOY
    - d. SHELL A : BRASS
    - e. SHELL B : ALUMINIUM ALLOY
  - 1-2. MATERIAL B
    - a. MAIN BODY : ALUMINIUM ALLOY
    - b. O-RING A : EPDM ; COLOR : BLACK
  - 1-3. O-RING B : NBR COLOR : BLACK.
  - 1-4. GLAND CAGE : PA66 ; COLOR : WHITE.
  - 1-5. GLAND NUT : PPS ; COLOR : BROWN.
2. FINISH :
  - 2-1. MATERIAL A
    - a. CONTACT : GOLD FLASH MICRO INCHES MIN.  
UNDER PLATE : NICKEL.
    - b. NUT : NICKEL PLATED.
    - c. SHELL A : NICKEL PLATED.
    - d. SHELL B : NICKEL PLATED.
  - 2-2. MAIN BODY : NICKEL PLATED.
3. ELECTRICAL SPECIFICATION :
  - 3-1. Rated current : 4A
  - 3-2. Rated voltage : 60V
  - 3-3. Water proof : IPX7
4. Environmental :
  - 4-1. Operation Temperature : -20℃~85℃

DRAWN	Mark Kao	APP'D	Ku Chou	UNIT	mm	TOLERANCE		广东科斯达电子科技有限公司 GUANG DONG KE SI DA ELECTRONIC TECHNOLOGY CO., LTD.	TITLE	M8 (M) Assembly type			SHEET	
CHK'D	Emily Suen			SCALE	1:1	.x ±0.20 .xx ±0.10 .xxx ±0.05 .xxxx ±0.03 ANGULA ±1°			PART NO.	SEE TABLE A	DWG NO.	QC8034	VERSION	