

# CUSTOMER DRAWING

REV.	DESCRIPTION	APPVL. BY	DATE	ECN NO.
△A	RELEASE	Fido	19/03/12'	
△B				
△C				

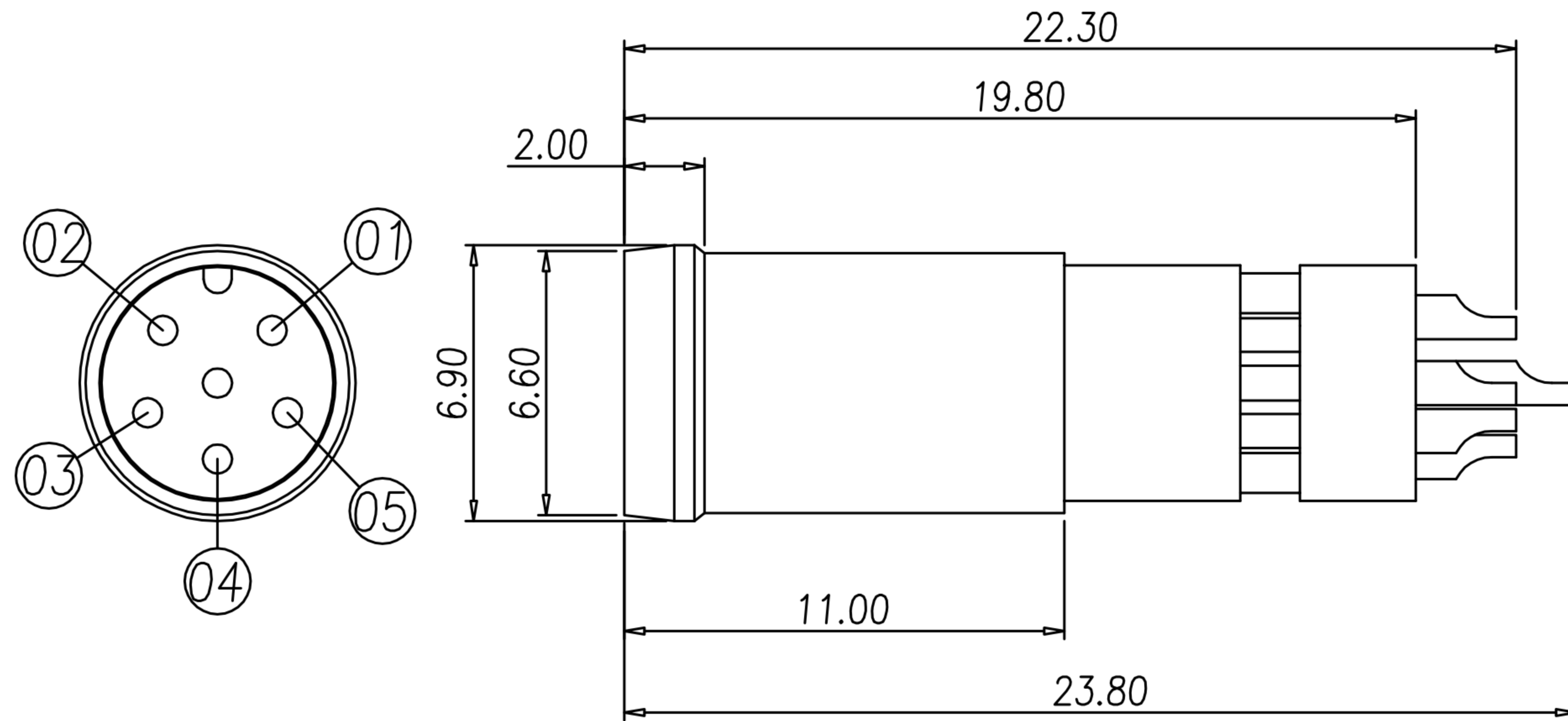
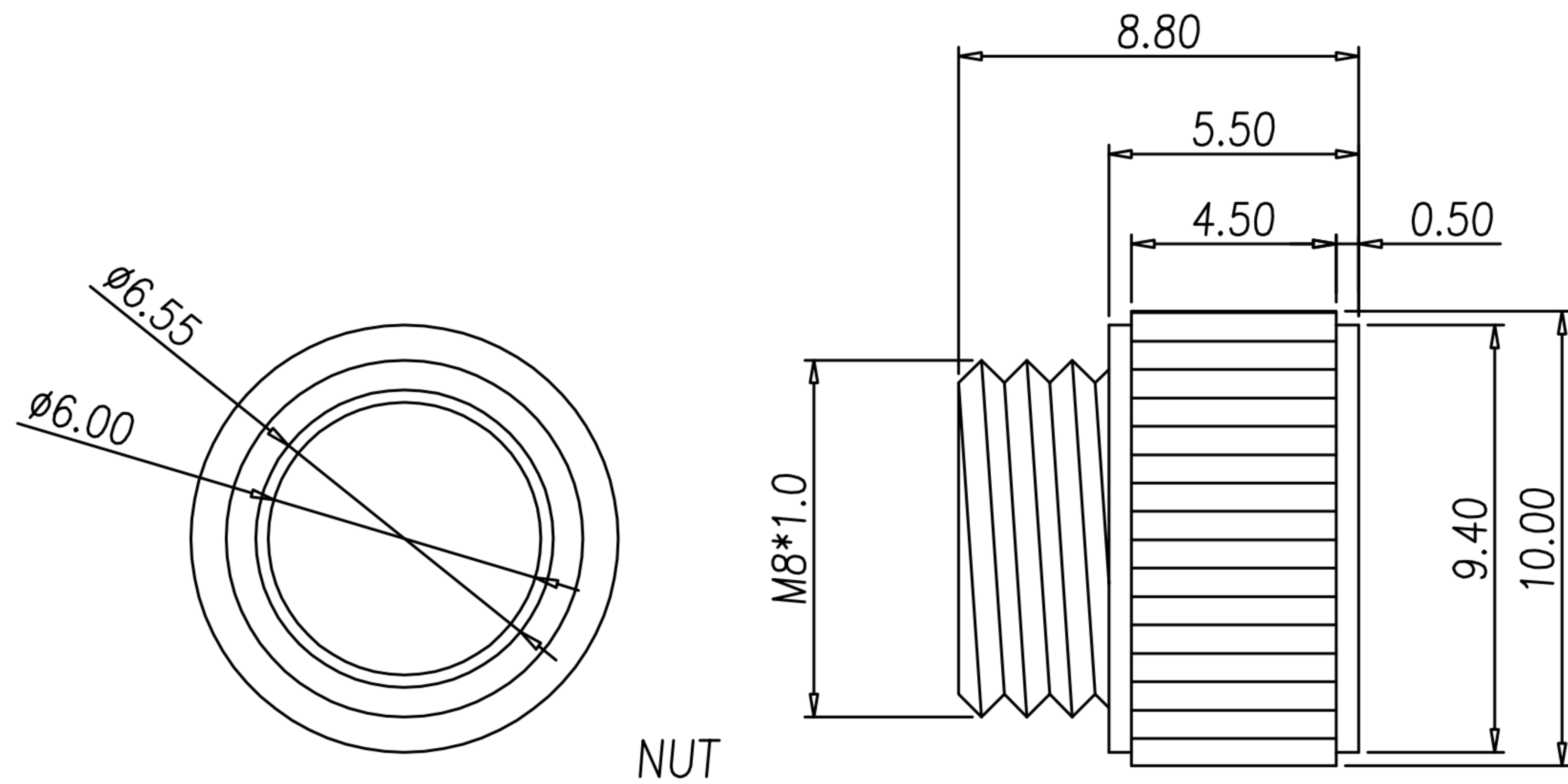


TABLE A

WP-06M2-46-11	WP-05M2-98-11



**NOTE**

1. MATERIAL :
  - 1-1. HOUSING : PA66 UL94V-0 ; COLOR : BLACK
  - 1-2. CONTACT : BRASS.
  - 1-3. NUT : BRASS
2. FINISH :
  - 2-1. CONTACT : GOLD FLASH.
  - 2-2. NUT : NICKEL PLATED.
3. ELECTRICAL SPECIFICATION :
  - 3-1. Rated current : 2A
  - 3-2. Rated Voltage : 30V
  - 3-3. Water proof : IP67
4. Environmental :
  - 4-1. Operation Temperature : -40℃~105℃

DRAWN	Mark Kao	APP'D	Ku Chou	UNIT	mm	<b>TOLERANCE</b> .x ±0.20 .xx ±0.10 .xxx ±0.05 .xxxx ±0.03 ANGULA ±1°		广东科斯达电子科技有限公司 GUANG DONG KE SI DA ELECTRONIC TECHNOLOGY CO., LTD.	TITLE	M8 (M) 線端焊線式(梅花型92°)			SHEET	1
CHK'D	Emily Suen			SCALE	1:1				PART NO.	SEE TABLE A	DWG NO.	QC7385	VERSION	A