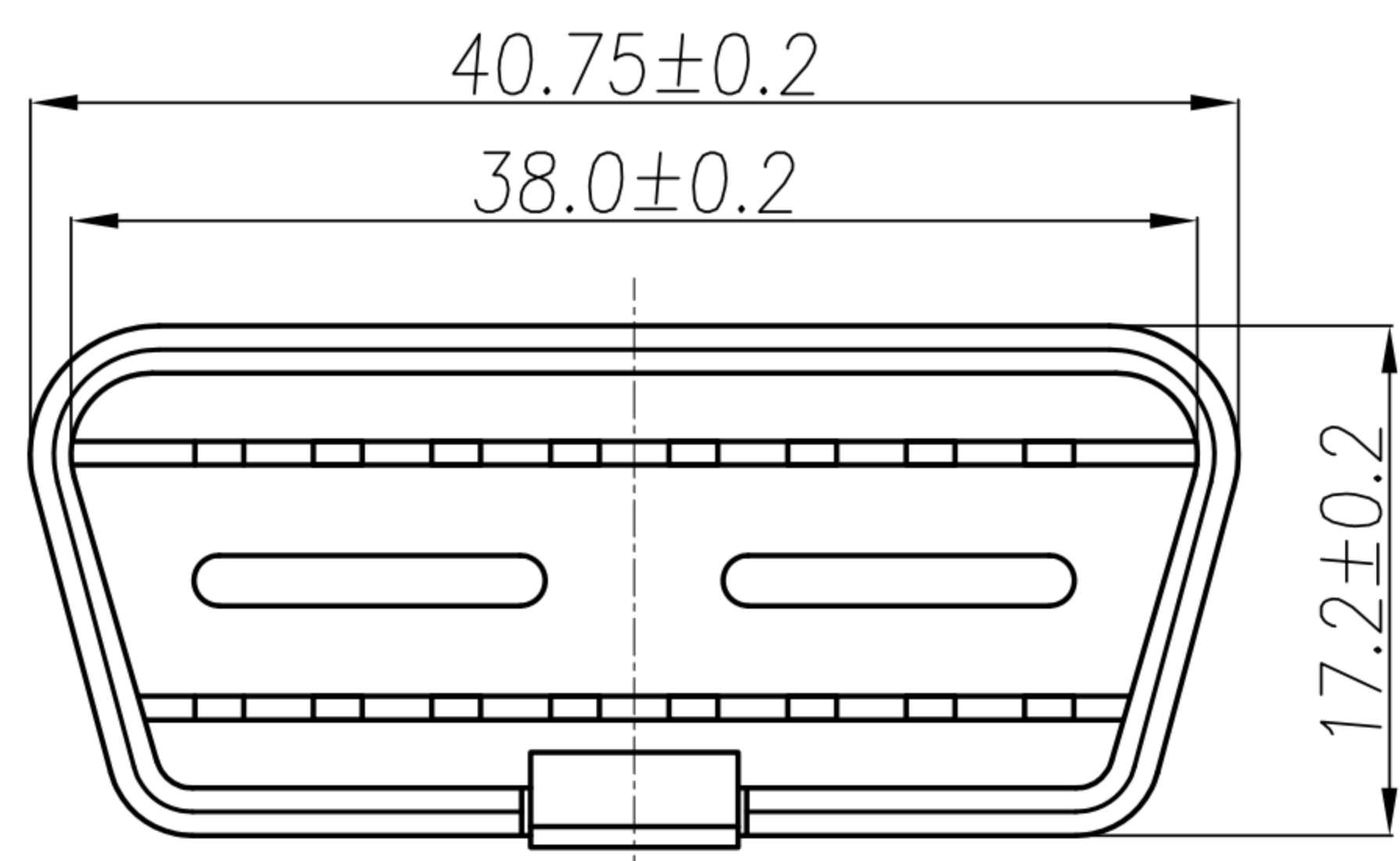
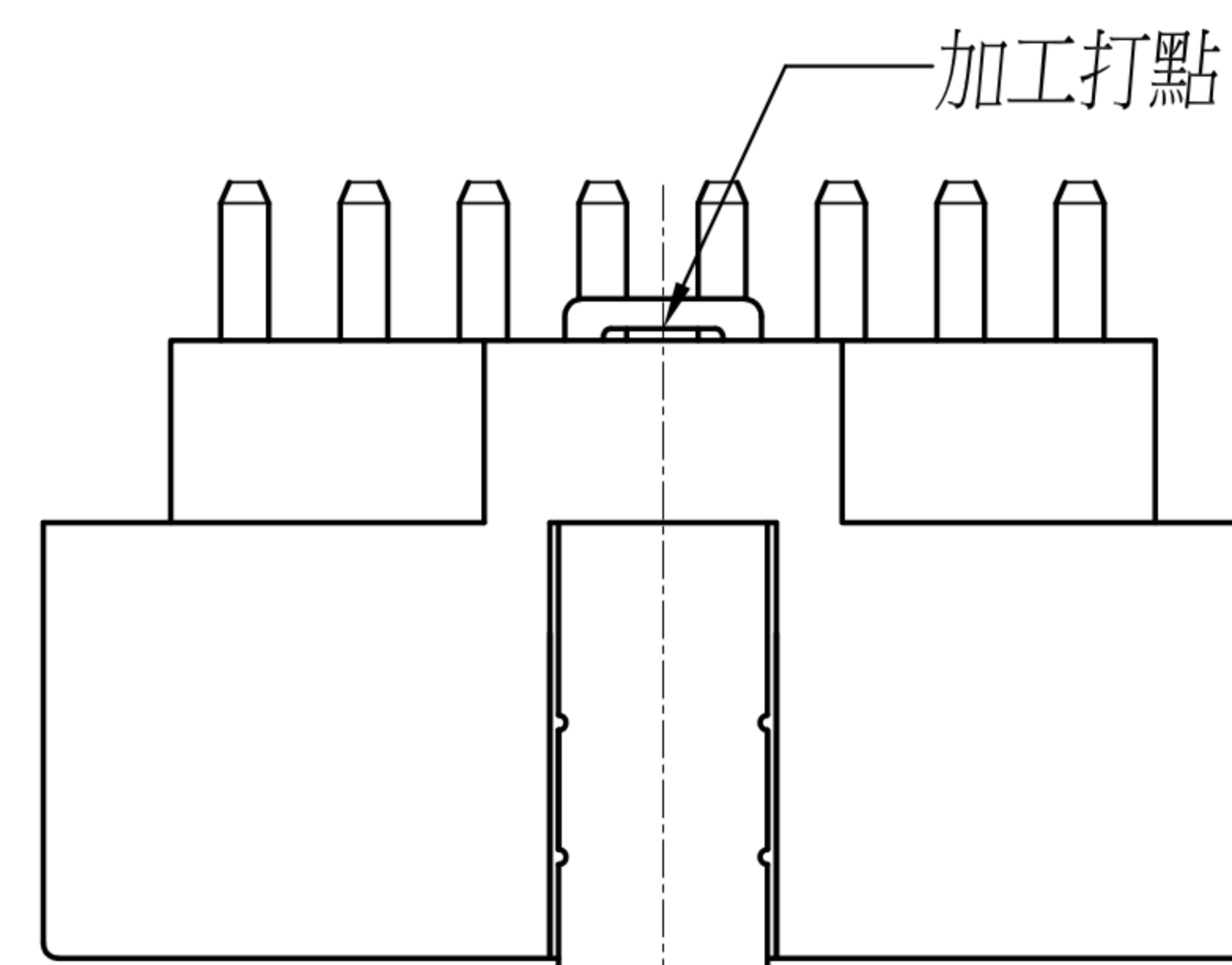
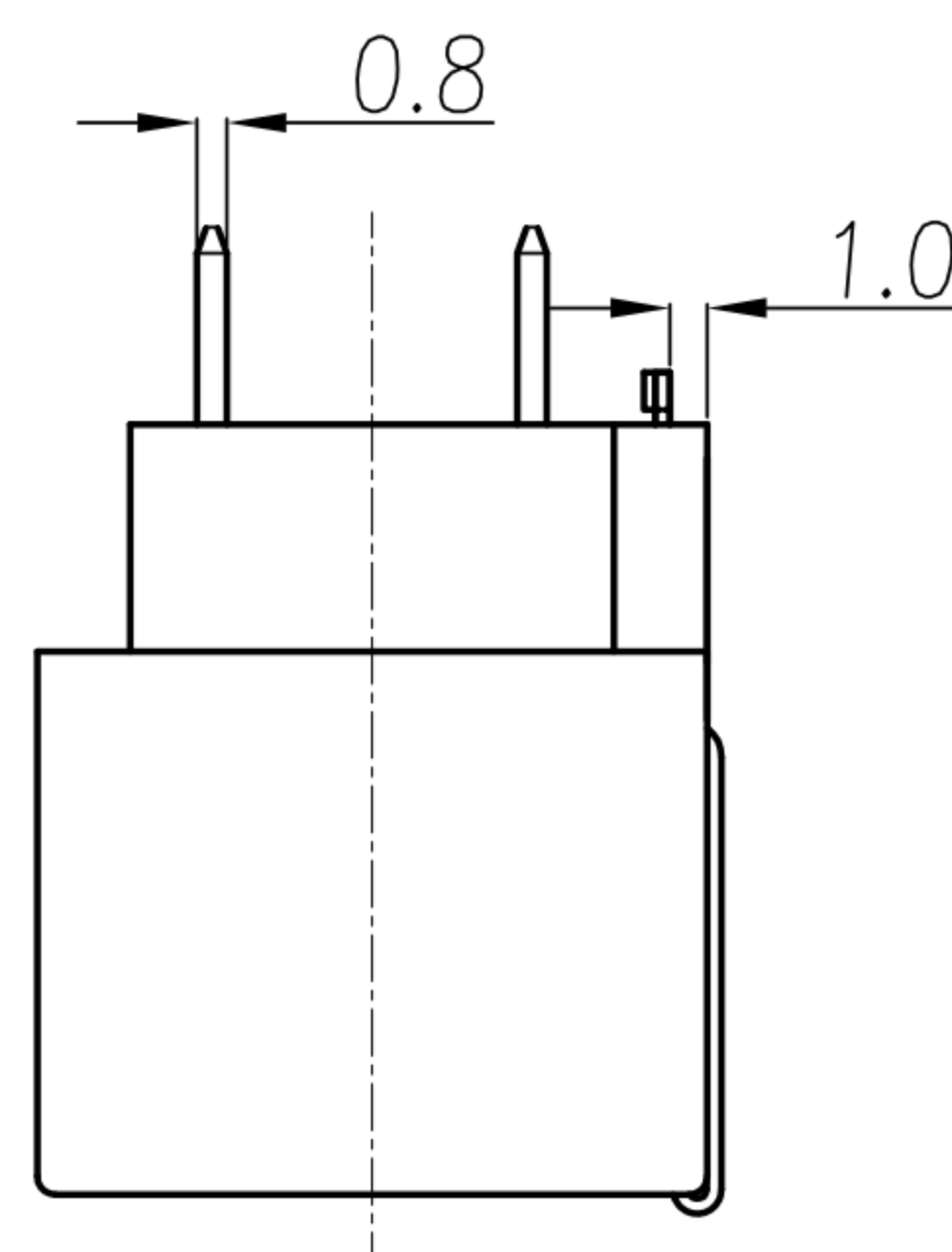
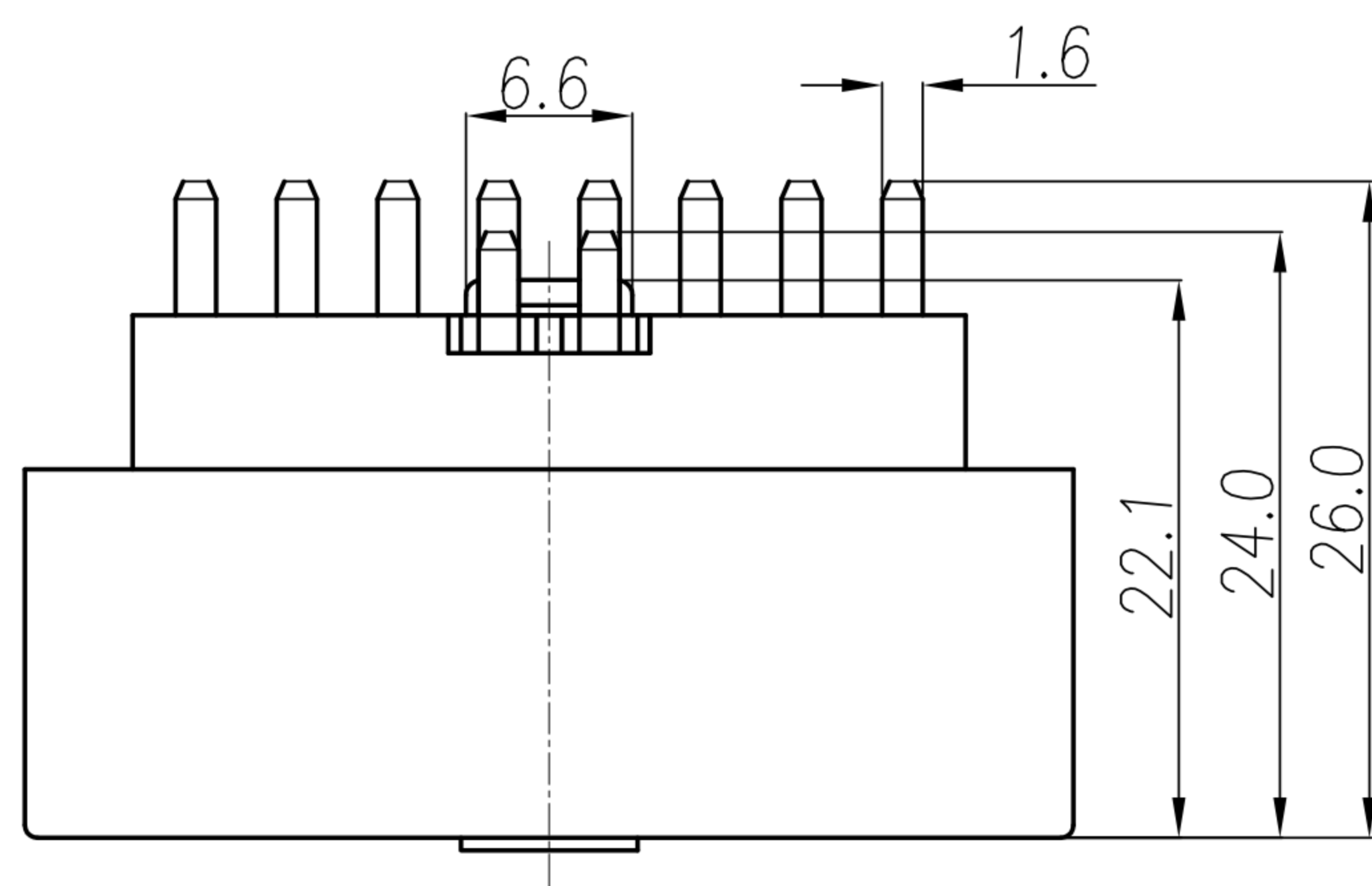
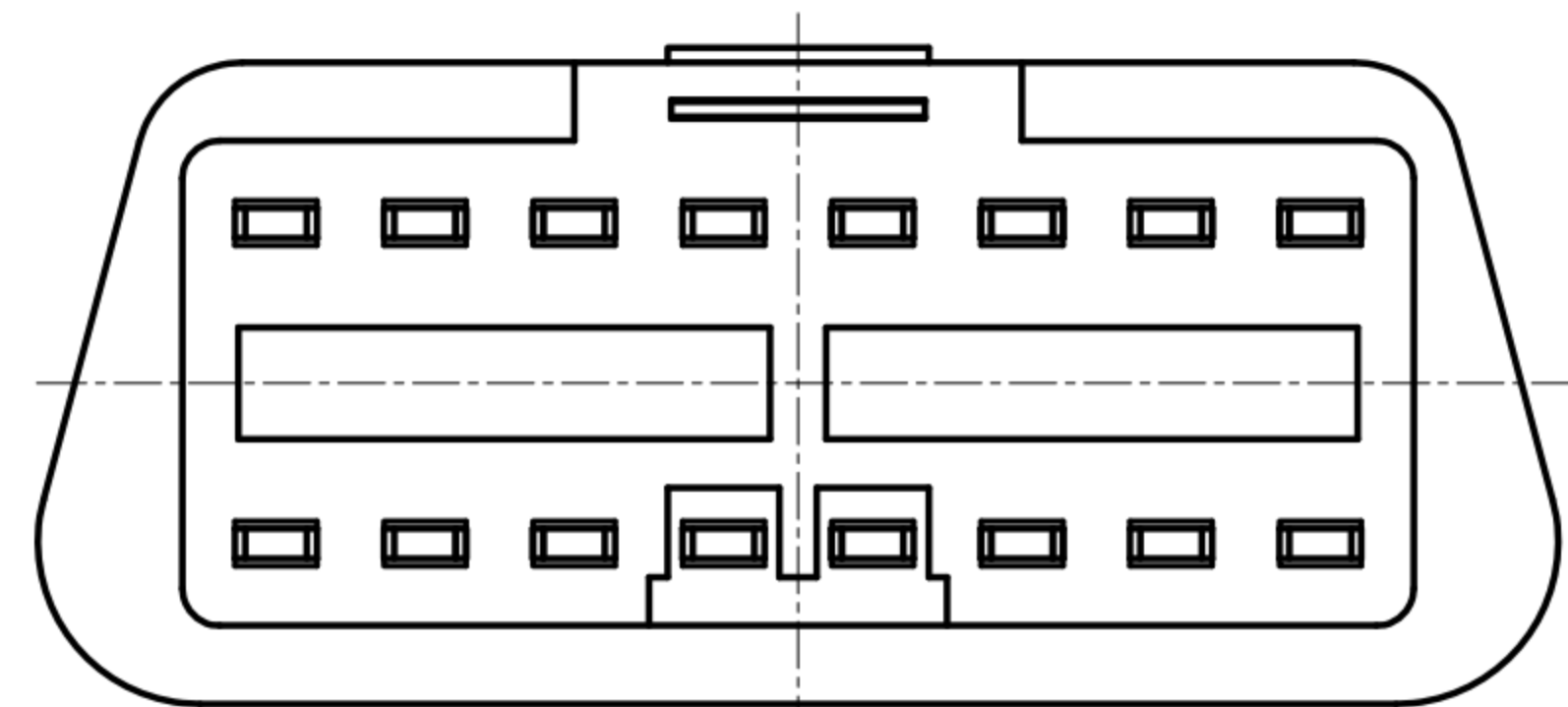


CUSTOMER DRAWING

| REV. | DESCRIPTION | APPVL. BY | DATE | ECN NO. |
|------|-------------|-----------|-----------|---------|
| A | RELEASE | Fido Weng | 31/12/08* | |
| B | | | | |
| C | | | | |



1. MATERIAL :
 - 1-1. HOUSING : NYLON66 ; COLOR : BLACK
 - 1-2. CONTACT : BRASS
 - 1-3. SPRING : STAINLESS STEEL
2. FINISH :
 - 2-1. CONTACT : CONTACT AREA : BRIGHT TIN. SOLDER AREA : TIN 60u"

| | | | | | | | | | | | | | | |
|-------|------------|-------|-----------|-------|-----|---|--|--|----------|-----------------------|---------|--------|---------|---|
| DRAW | Ya Chou | APPVL | Fido Weng | UNIT | mm | TOLERANCE .x ±0.20 .xx ±0.10 .xxx ±0.05 .xxxx ±0.03 ANGULA ±1° | | 广东科斯达电子科技有限公司 GUANG DONG KE SI DA ELECTRONIC TECHNOLOGY CO., LTD. | TITLE | OBD2 16(M)彈片式(雙隔板)(黑) | | | SHEET | 1 |
| CHECK | Emily Suen | | | SCALE | 1:1 | | | | PART NO. | OBD2-16M1-60-11 | DWG NO. | QC7065 | VERSION | A |