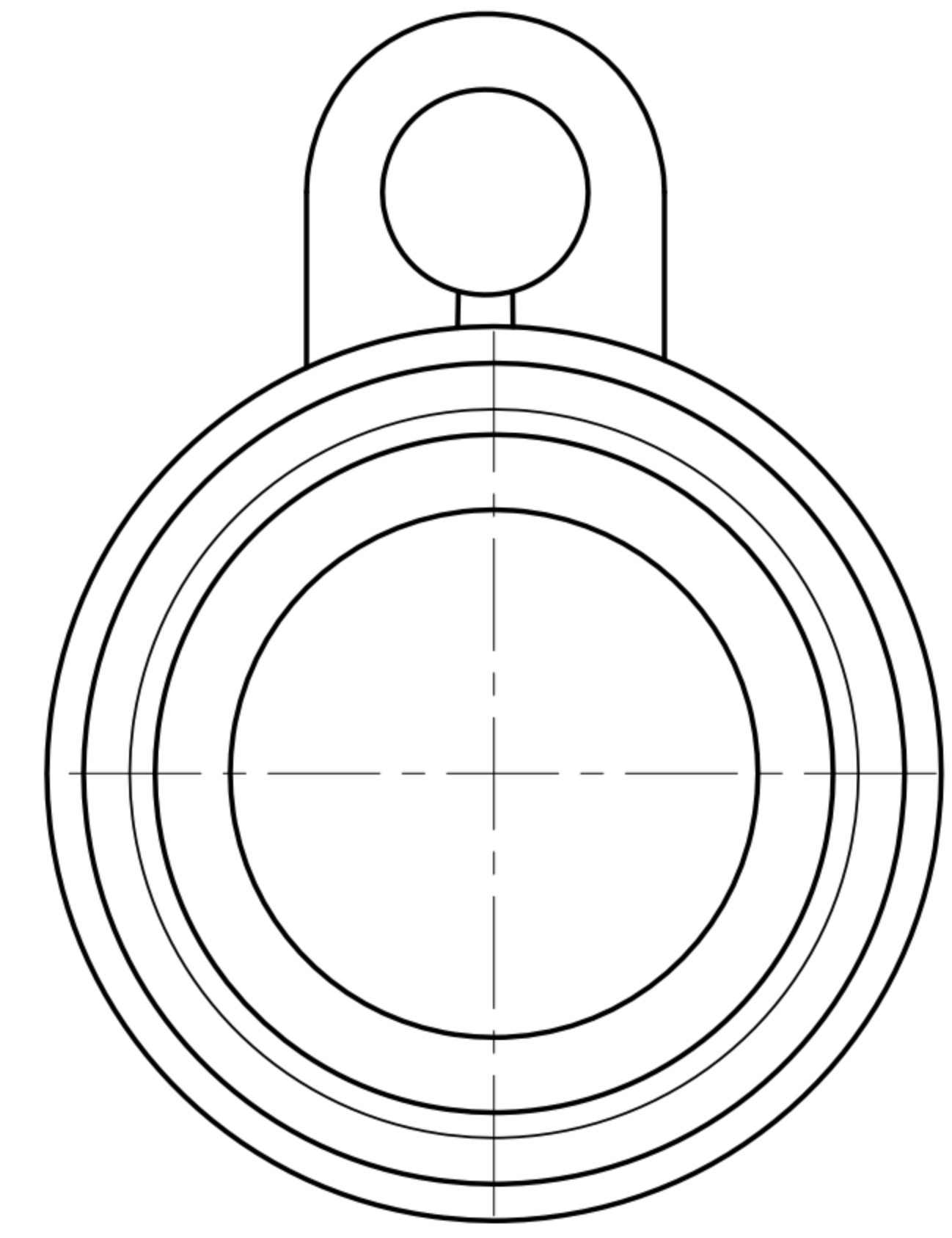
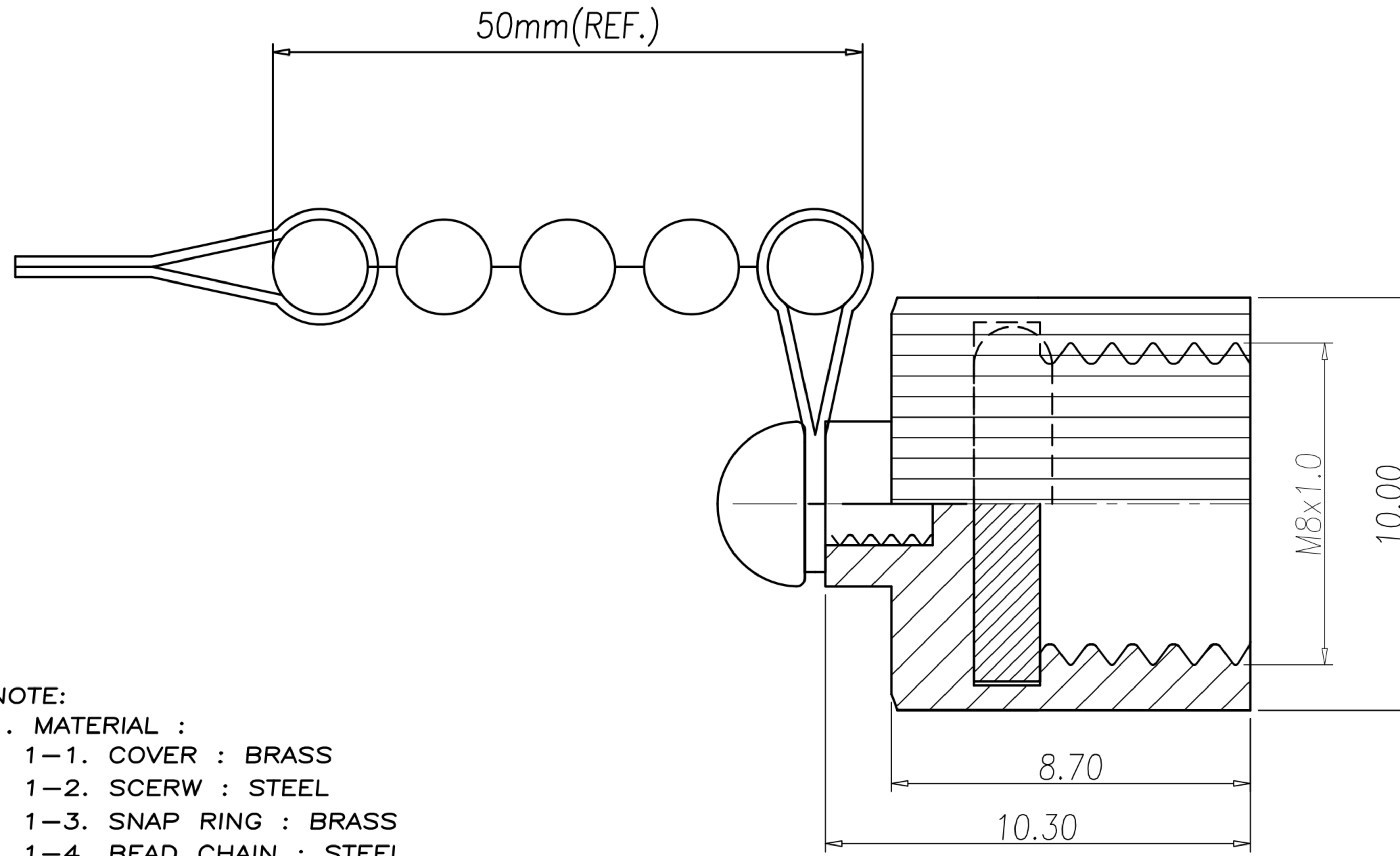


CUSTOMER DRAWING

REV.	DESCRIPTION	APPROVED BY	DATE	ECN NO.
A	RELEASE	Fido Weng	22/05/09'	
B				
C				



NOTE:

1. MATERIAL :
 - 1-1. COVER : BRASS
 - 1-2. SCREW : STEEL
 - 1-3. SNAP RING : BRASS
 - 1-4. BEAD CHAIN : STEEL
 - 1-5. O-RING : SILICONE ; COLOR : BLACK
2. FINISH :
 - 2-1. COVER : NICKEL PLATED OVER ALL
 - 2-2. SCREW : NICKEL PLATED OVER ALL
 - 2-3. SNAP RING : NICKEL PLATED OVER ALL

DRAWN	Ku Chou	APP'D	Emily Suen	UNIT	mm	TOLERANCE		广东科斯达电子科技有限公司 GUANG DONG KE SI DA ELECTRONIC TECHNOLOGY CO., LTD.	TITLE	M8防塵蓋組件			SHEET	1 VERSION A
CHK'D	Emily Suen			SCALE	1:1	.x ±0.20 .xx ±0.10 .xxx ±0.05 .xxxx ±0.03 ANGULA ±1°			PART NO.	NY-WP132	DWG NO.	QC3725		