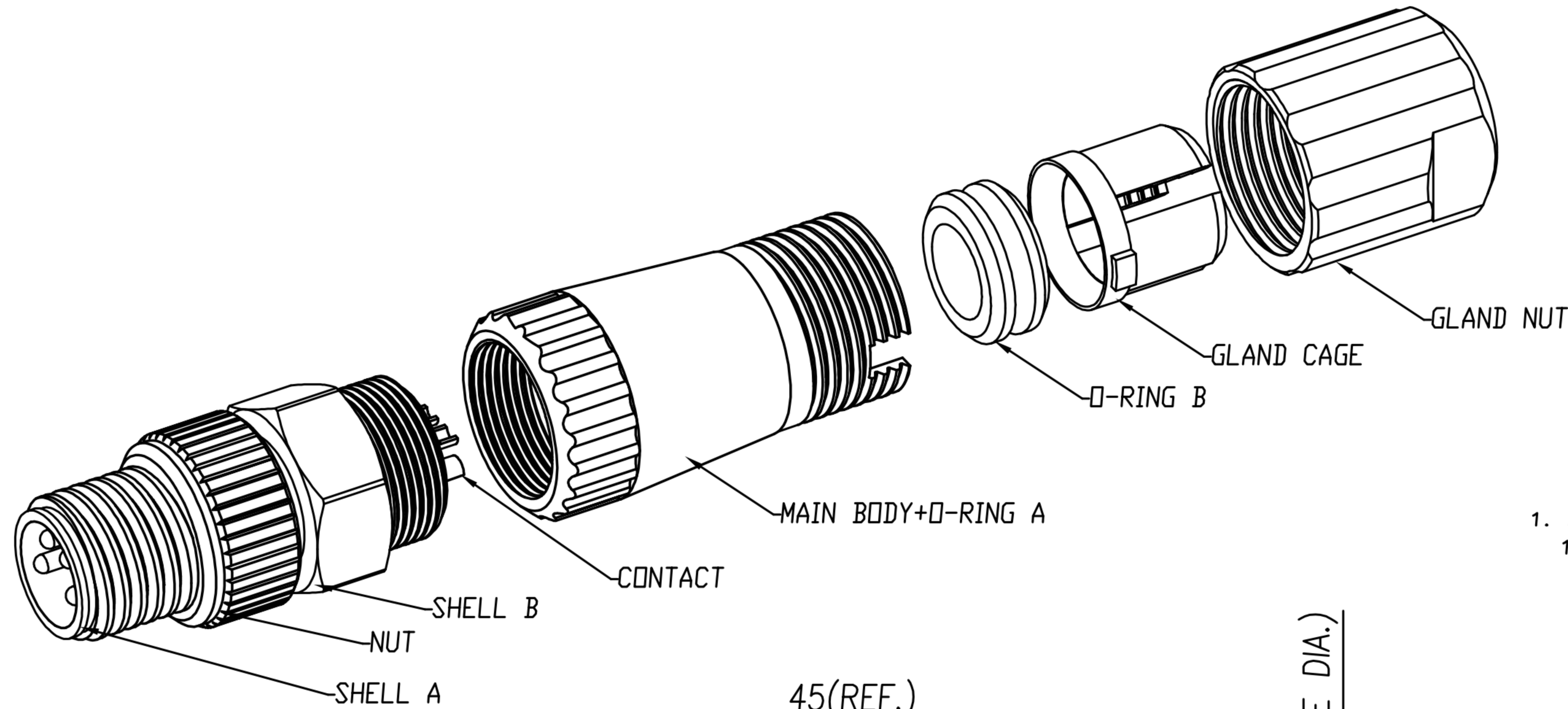


CUSTOMER DRAWING

REV.	DESCRIPTION	APPROVED BY	DATE	ECN NO.
△A	RELEASE	Ku Chou	12/12/18'	
△B				
△C				



WP-04M2-167-11	WP-03M2-103-11

1. MATERIAL :

1-1. MATERIAL A

- a. HOUSING : PBT UL94V-0 ; COLOR : BLACK.
- b. CONTACT : BRASS
- c. NUT : ALUMINIUM ALLOY
- d. SHELL A : BRASS
- e. SHELL B : BRASS

1-2. MATERIAL B

- a. MAIN BODY : PA66 ; COLOR : BLACK
- b. O-RING A : EPDM ; COLOR : BLACK

1-3. O-RING B : NBR COLOR : BLACK.

1-4. GLAND CAGE : PA66 ; COLOR : WHITE.

1-5. GLAND NUT : PA66 ; COLOR : BLACK

2. FINISH :

2-1. MATERIAL A

- a. CONTACT : GOLD FLASH PLATED.
UNDER PLATE : NICKEL.
- b. NUT : NICKEL PLATED.
- c. SHELL A : NICKEL PLATED.
- d. SHELL B : NICKEL PLATED.

3. ELECTRICAL SPECIFICATION :

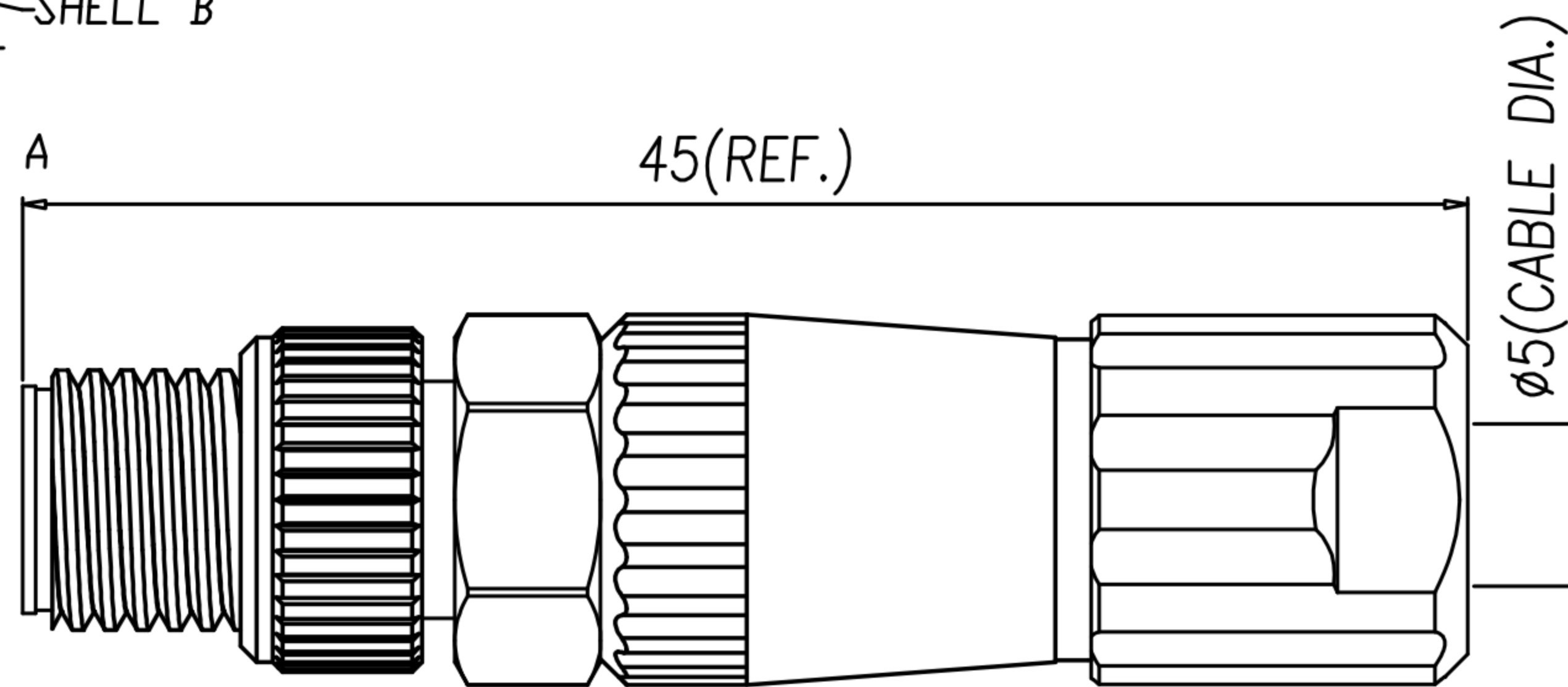
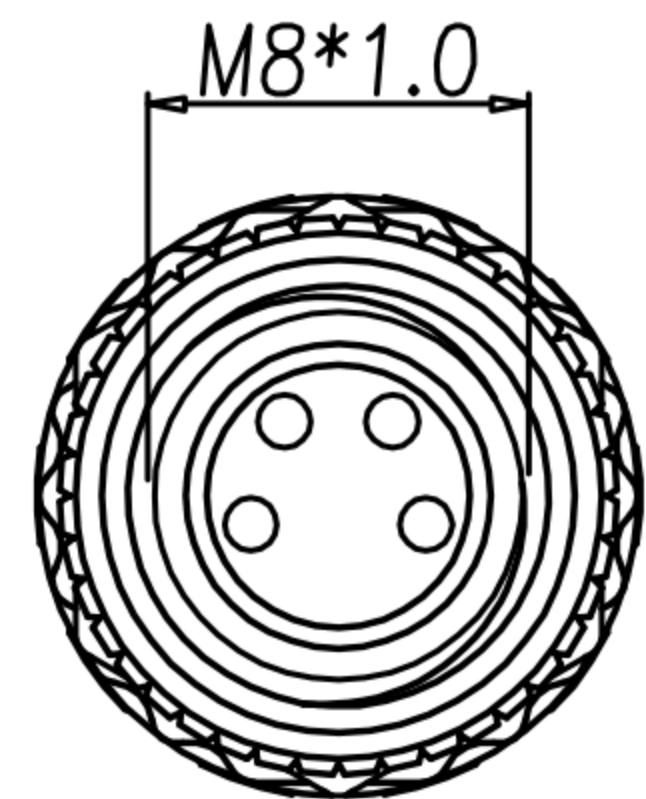
3-1. Rated current : 4A

3-2. Rated voltage : 60V

3-3. Water proof : IPX7

4. Environmental :

4-1. Operation Temperature : -20℃~85℃



DRAWN	Emily Suen	APP'D	Ku Chou	UNIT	mm	TOLERANCE			TITLE	M8 (M) Assembly type			SHEET
CHK'D	Ku Chou			SCALE	1:1	.x ±0.20 .xx ±0.10 .xxx ±0.05 .xxxx ±0.03 ANGULA ±1°			PART NO.	SEE TABLE A	DWG NO.	QC8886	VERSION

1

A