

CUSTOMER DRAWING

| REV. | DESCRIPTION | APPROVED BY | DATE | ECN NO. |
|------|-------------|-------------|-----------|---------|
| A | RELEASE | Emily Suen | 02/10/15' | |
| B | | | | |
| C | | | | |

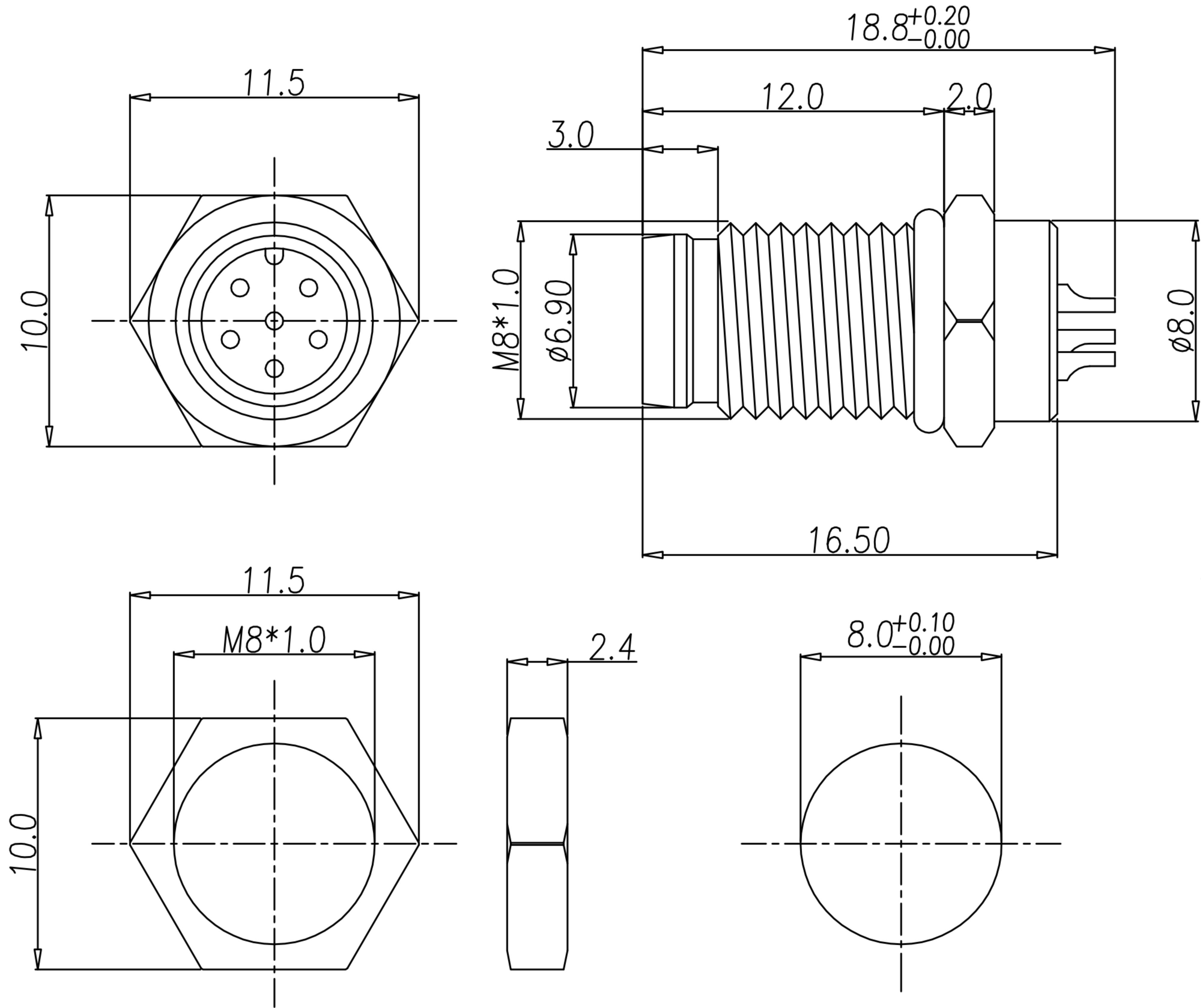


TABLE A

| | |
|---------------|----------------|
| | |
| WP-06M2-59-11 | WP-05M2-124-11 |

1. MATERIAL :
 - 1-1. HOUSING : PA ; COLOR : BLACK
 - 1-2. CONTACT : BRASS.
 - 1-3. SHELL : BRASS
 - 1-4. O-RING : NBR ; COLOR : BLACK
 - 1-5. NUT : BRASS.
2. FINISH :
 - 2-1. CONTACT : GOLD 10 MICRO INCHES MIN.
 - 2-2. SHELL : NICKEL PLATED.
 - 2-3. NUT : NICKEL PLATED.
3. ELECTRICAL SPECIFICATION :
 - 3-1. Rated current : 2A
 - 3-2. Rated voltage : 30V
 - 3-3. Water proof : IP67
4. Environmental :
 - 4-1. Operation Temperature : -40℃~105℃

NUT

RECOMMEND PANEL CUT-OUT

| | | | | | | | | | | | | | | | |
|-------|------------|--------|------------|-------|-----|--|--|--|--|----------|--------------------------|---------|--------|---------|---|
| DRAWN | Ku Chou | APPEND | Emily Suen | UNIT | mm | TOLERANCE | | | 广东科斯达电子科技有限公司 GUANG DONG KE SI DA ELECTRONIC TECHNOLOGY CO., LTD. | TITLE | 防水頭 M8 (M) 前鎖板M8*1.0 焊線式 | | | SHEET | 1 |
| CHKD | Emily Suen | | | SCALE | 1:1 | .x ±0.20 .xx ±0.10 .xxx ±0.05 .xxxx ±0.03 ANGULA ±1° | | | | PART NO. | SEE TABLE A | DWG NO. | QC8236 | VERSION | A |