

CUSTOMER DRAWING

REV.	DESCRIPTION	APPVL. BY	DATE	ECN NO.
A	RELEASE	Fido Weng	10/01/13'	
B				
C				

NOTE:

- MATERIAL :
 - 1-1. HOUSING : PBT UL94V-0 ; COLOR : BLACK
 - 1-2. CONTACT : BRASS.
 - 1-3. SHELL : BRASS.
 - 1-4. NUT : BRASS.
 - 1-5. O-RING : EPDM ; COLOR : BLACK
- FINISH :
 - 2-1. CONTACT : SEE TABLE A
 - 2-2. SHELL : NICKEL PLATED.
 - 2-3. NUT : NICKEL PLATED.
- ELECTRICAL SPECIFICATION :
 - 3-1. Rated current : 4A
 - 3-2. Rated voltage : 60V
 - 3-3. Water proof : IP67
- Environmental :
 - 4-1. Operation Temperature : -20°C~85°C

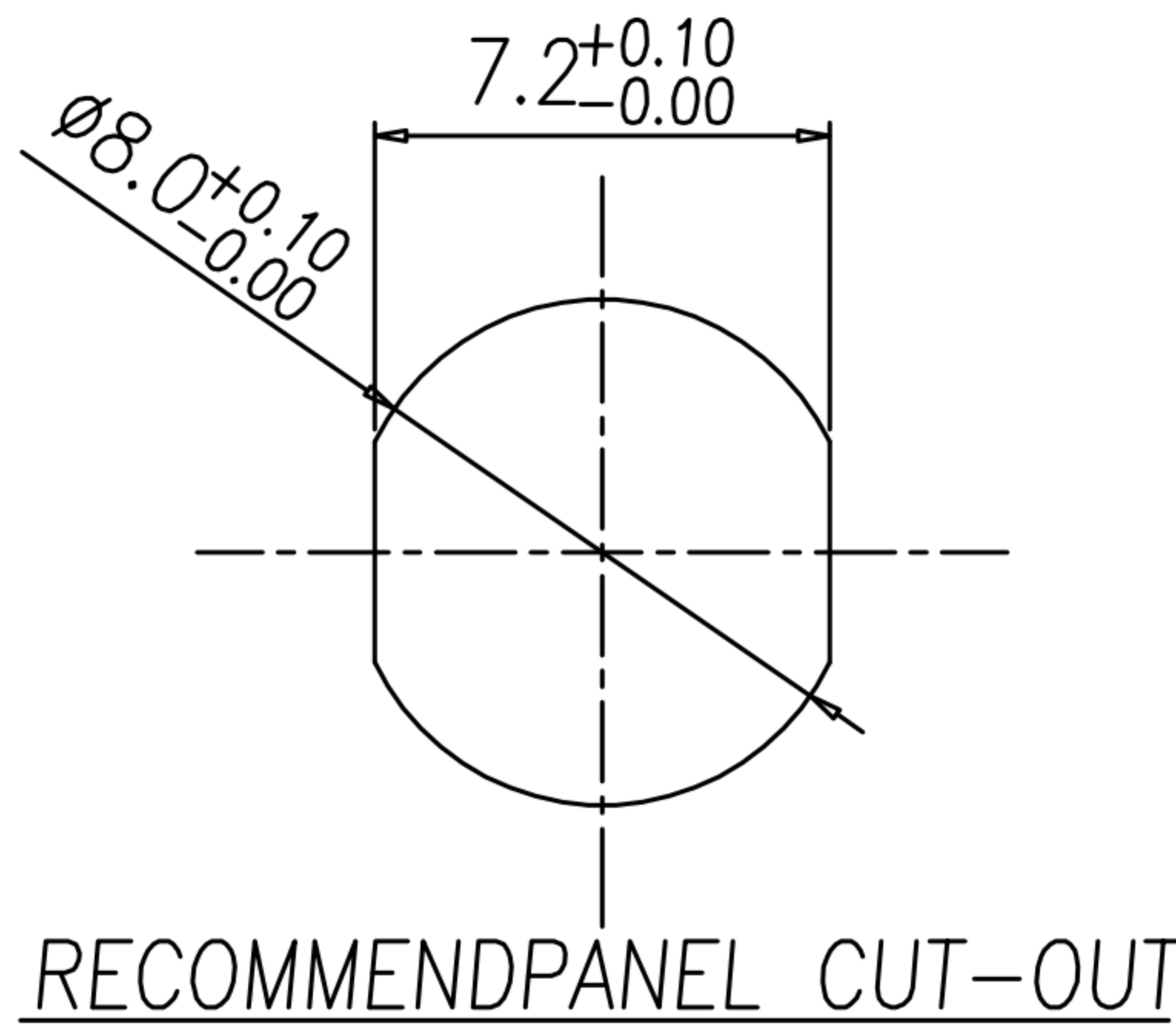
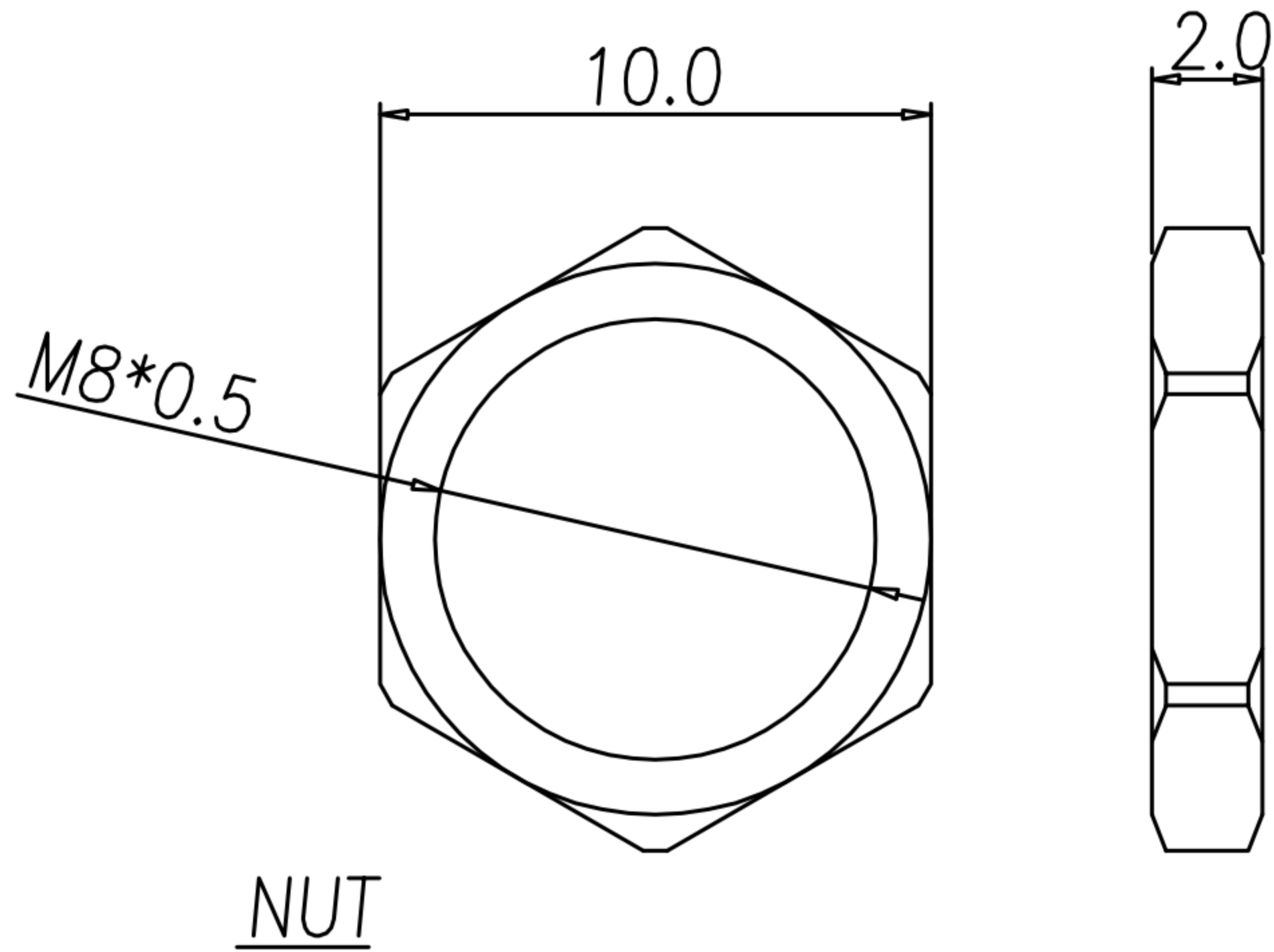
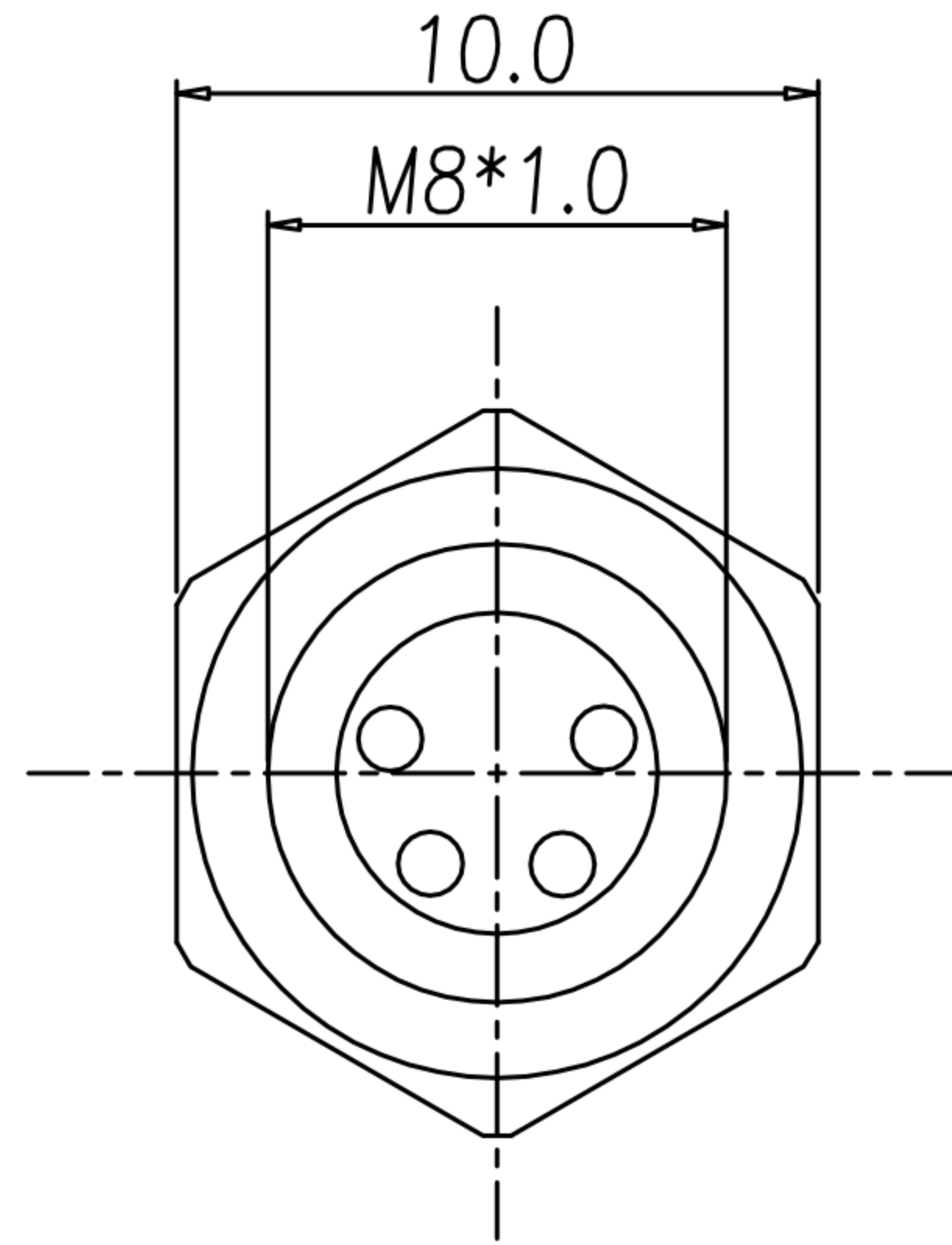
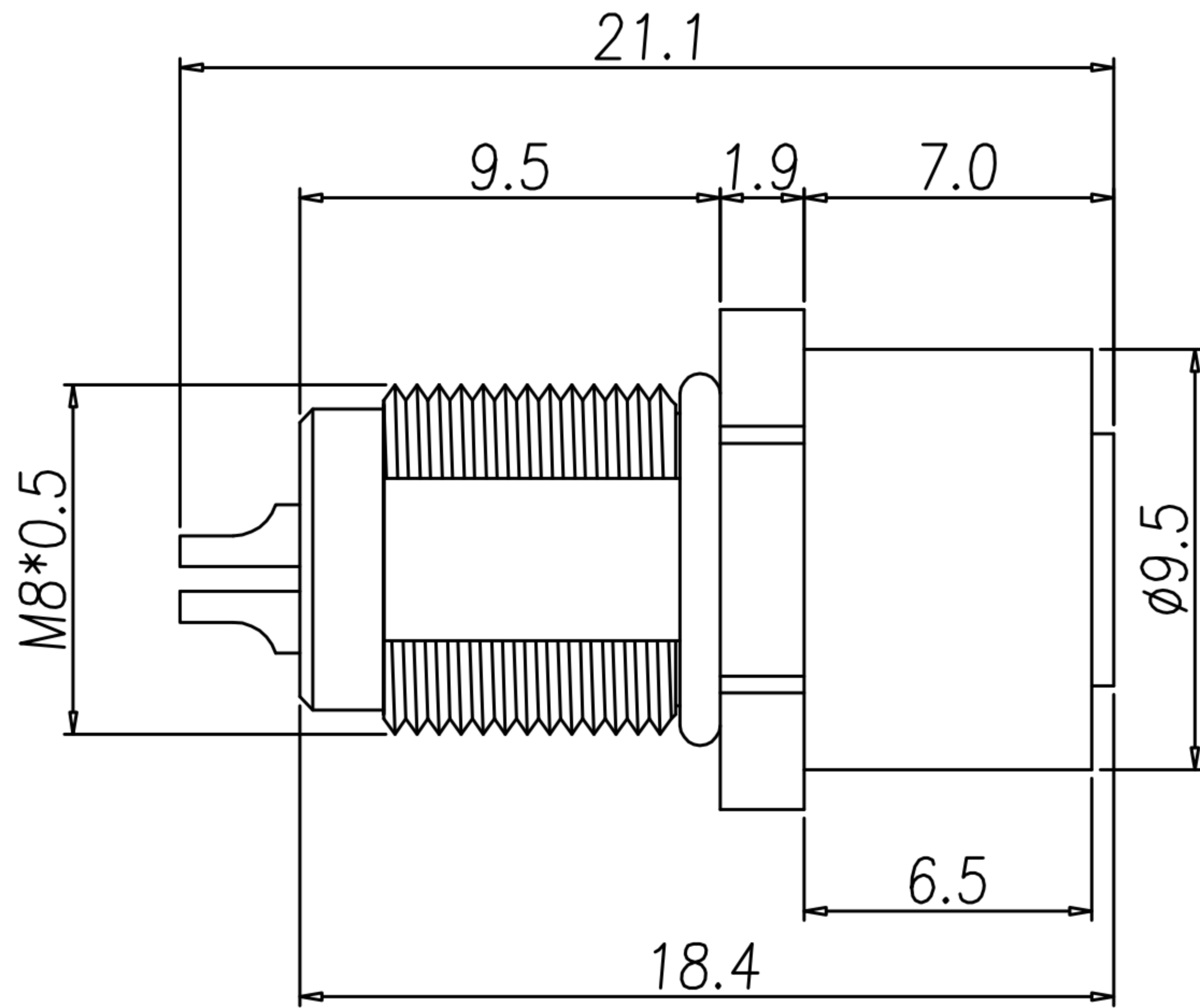


TABLE A

4PIN	3PIN	2PIN	
WP-04F2-135-11 WP-04F2-102	WP-03F2-63-11 WP-03F2-35	WP-02F2-39-11 WP-02F2-22	
WP-04F2-135-11	GOLD 10u"		
WP-04F2-102	GOLD FLASH		
WP-03F2-63-11	GOLD 10u"		
WP-03F2-35	GOLD FLASH		
WP-02F2-39-11	GOLD 10u"		
WP-02F2-22	GOLD FLASH		
P/N	FINISH		

DRAW	Mark Kao	APPVL	Ku Chou	UNIT	mm	TOLERANCE			广东科斯达电子科技有限公司 GUANG DONG KE SI DA ELECTRONIC TECHNOLOGY CO., LTD.	TITLE	防水頭 M8 (F) 後鎖焊線式			SHEET	1
CHECK	Emily Suen			SCALE	1:1	.x ±0.20 .xx ±0.10 .xxx ±0.05 .xxxx ±0.03 ANGULA ±1°				PART NO.	SEE TABLE A	DWG NO.	QC6054	VERSION	A