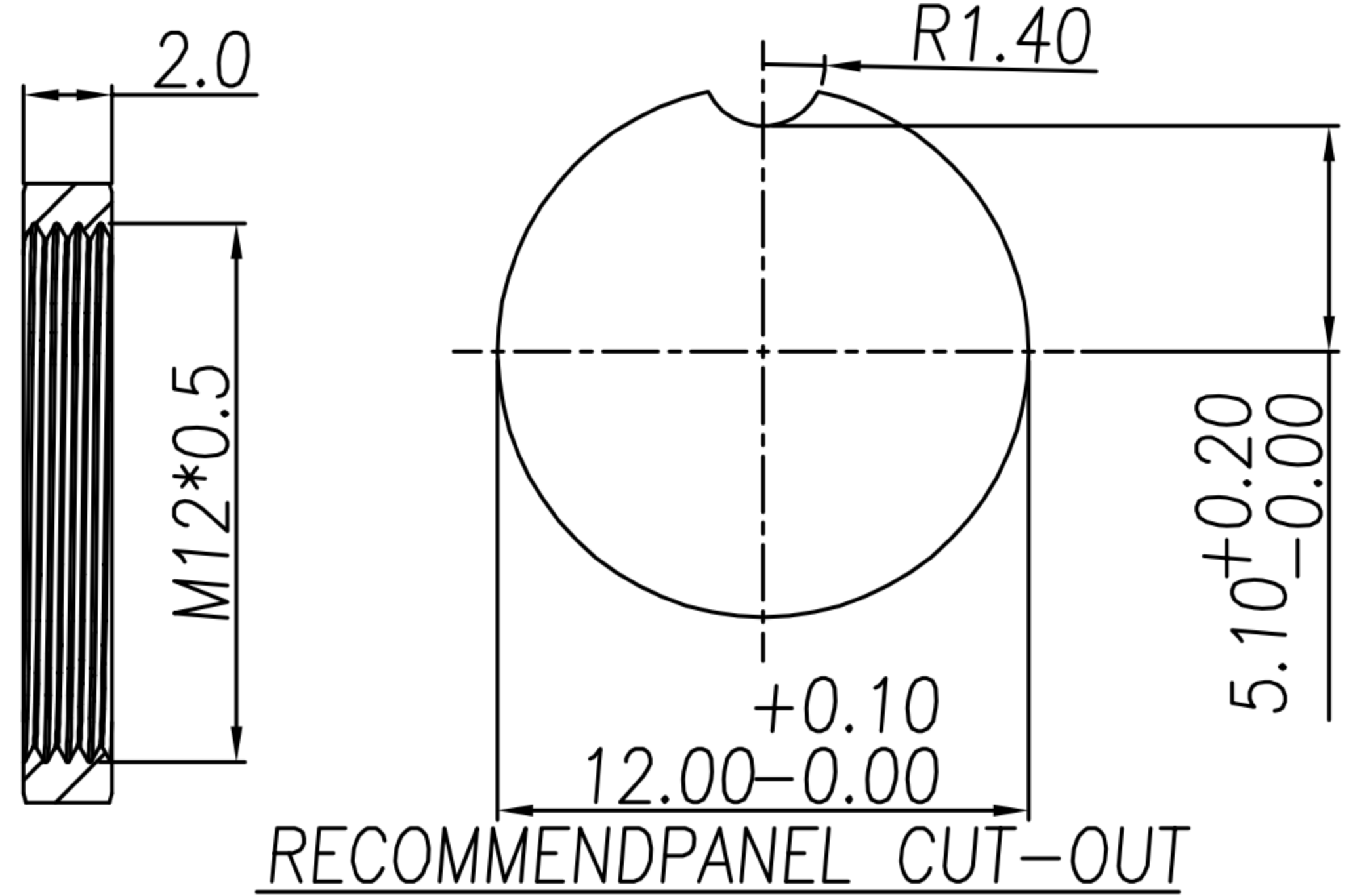
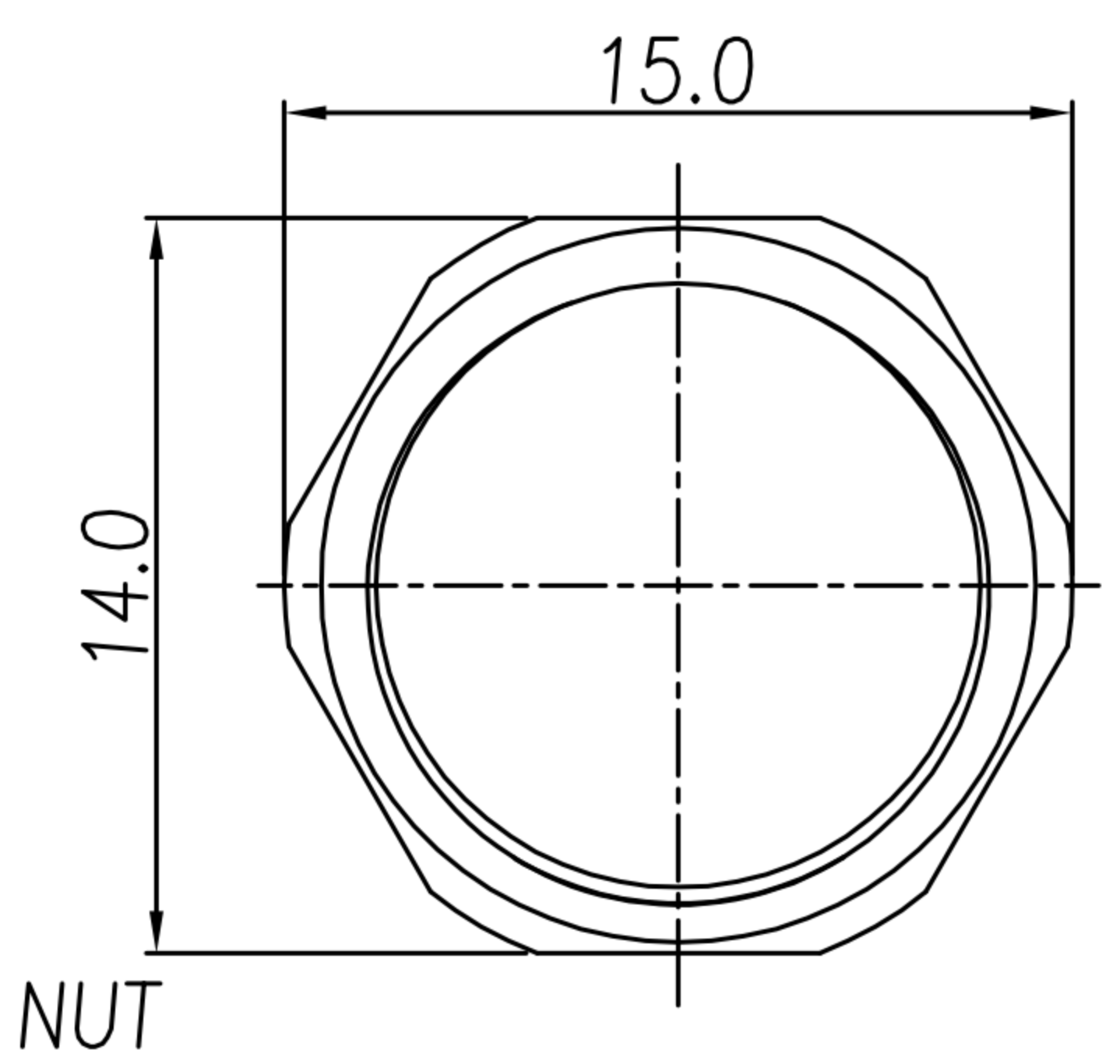
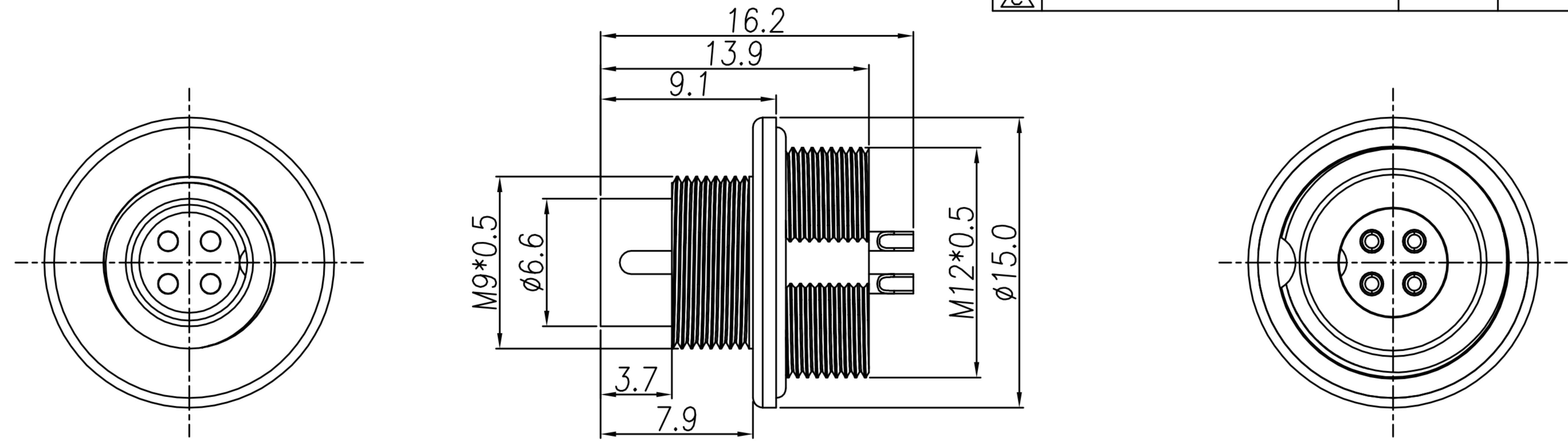


REV.	DESCRIPTION	APPVL. BY	DATE	ECN NO.
△A	RELEASE	LED	18/07/22'	
△B				
△C				

CUSTOMER DRAWING



- MATERIAL :
 - 1-1. HOUSING : PA UL94V-0 ; COLOR : BLACK
 - 1-2. CONTACT : BRASS.
 - 1-3. SHELL : BRASS.
 - 1-4. O-RING : EPDM ; COLOR : BLACK.
 - 1-5. NUT : BRASS
- FINISH :
 - 2-1. CONTACT : GOLD FLASH
 - 2-2. SHELL : NICKEL PLTAED.
 - 2-3. NUT : NICKEL PLTAED.
- ELECTRICAL SPECIFICATION :
 - 3-1. Rated current(40℃) : 2~3P 4A; 4~5P 3A; 7~8P 1A
 - 3-2. Rated Voltage : 125V
 - 3-3. Water proof : IP67
- Environmental :
 - 4-1. Operation Temperature : -40℃~85℃

WP-02M2-88-11	WP-03M2-142-11	WP-04M2-239-11	WP-05M2-206-11	WP-07M2-27-11	WP-08M2-129-11

DRAWN	LED	APP'D	Ku Chou	UNIT	mm	TOLERANCE	广东科斯达电子科技有限公司 GUANG DONG KE SI DA ELECTRONIC TECHNOLOGY CO., LTD.	TITLE	WP M9 (M) M12 後鎖母式			SHEET
CHK'D	Ku Chou			SCALE	1:1	.x ±0.20 .xx ±0.10 .xxx ±0.05 .xxxx ±0.03 ANGULA ±1°		PART NO.	SEE TABLE A	DWG NO.	QC10467	VERSION