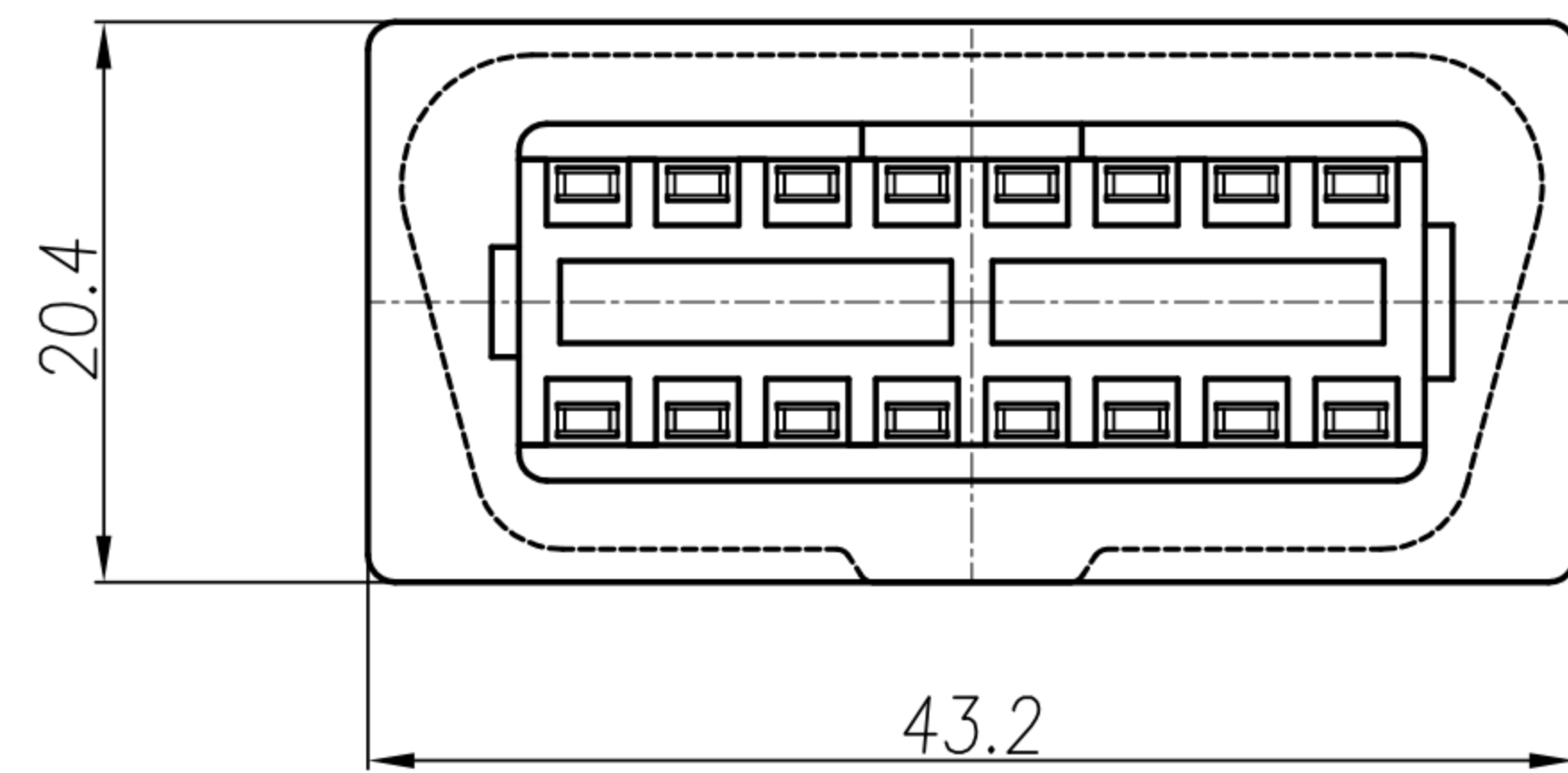
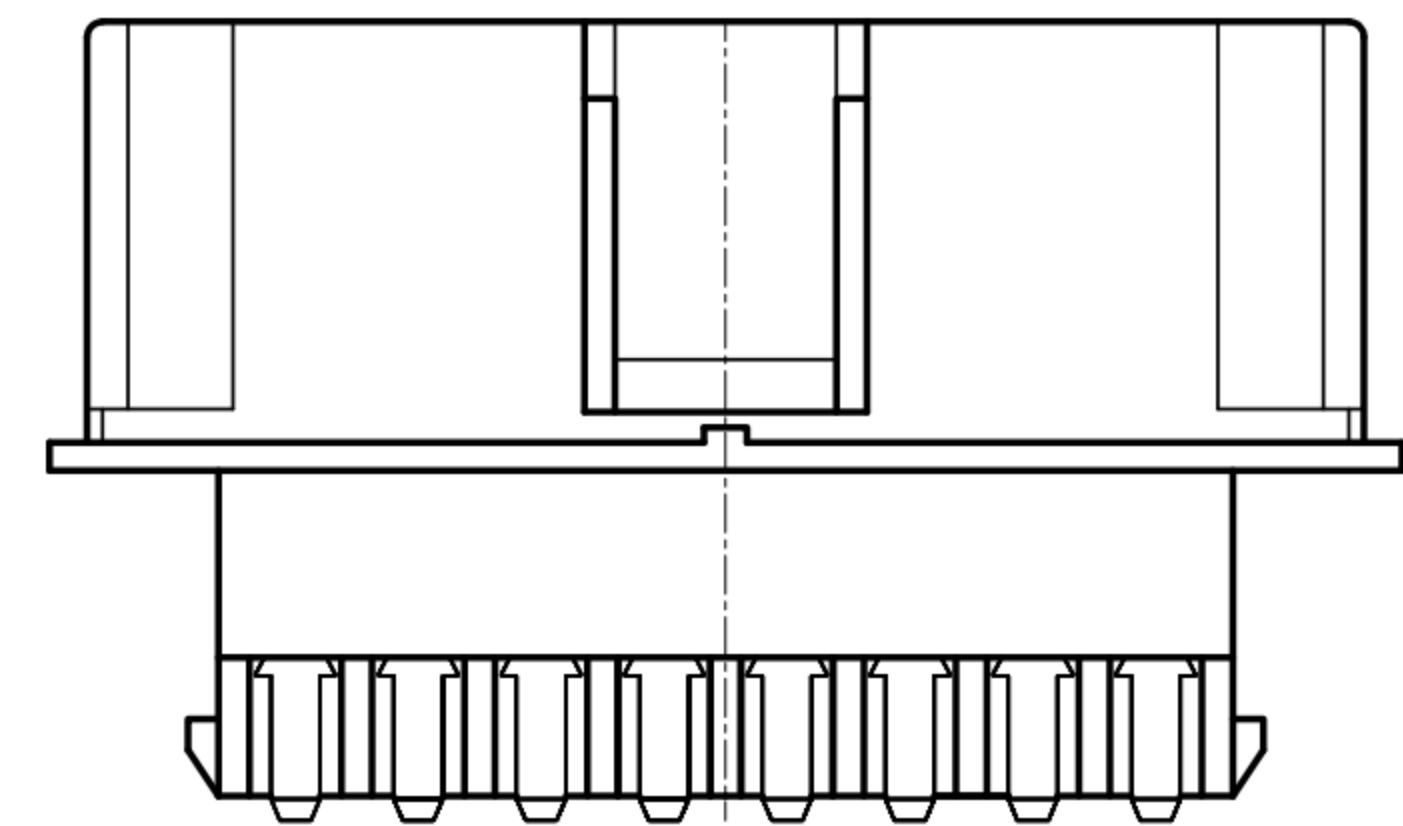
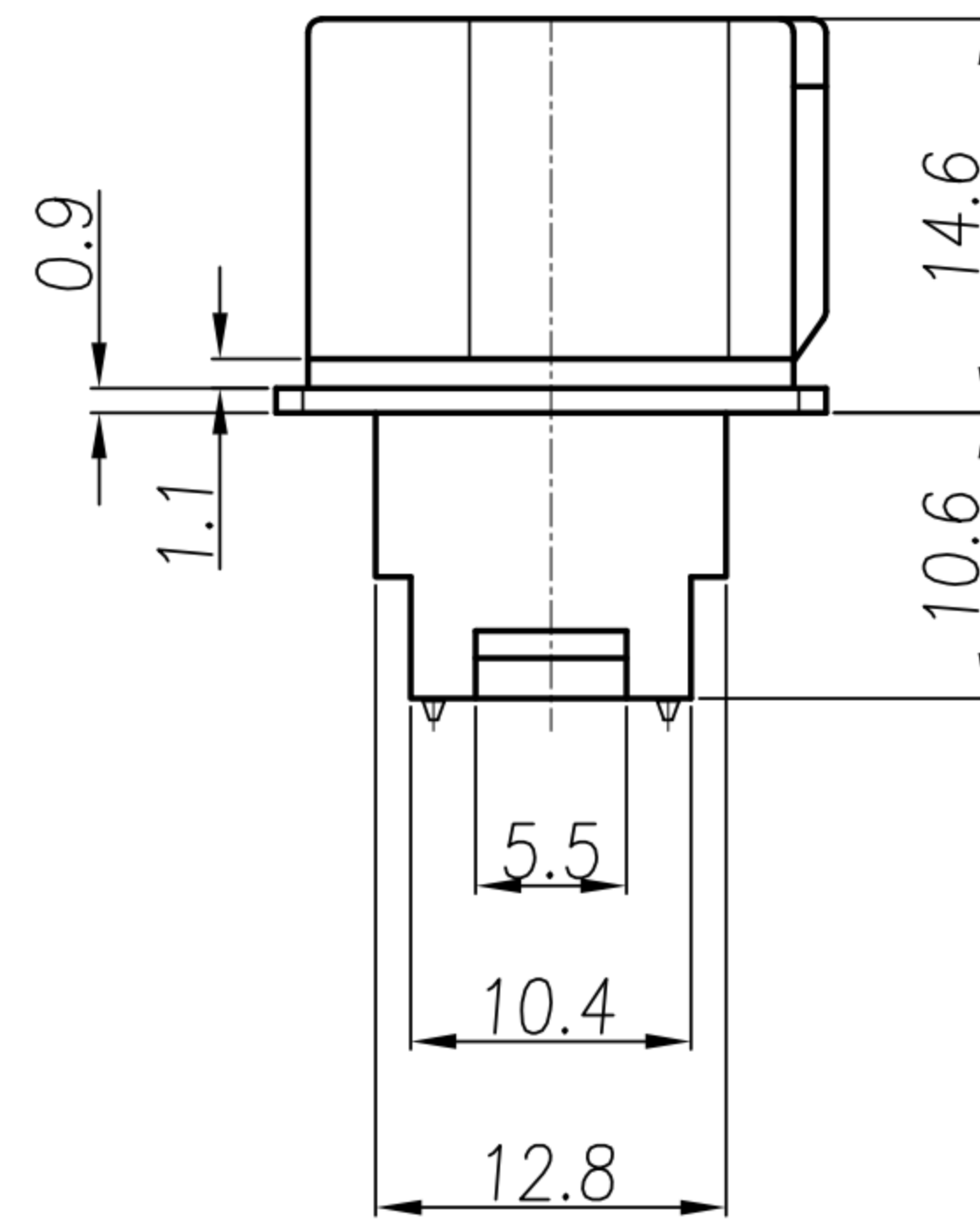
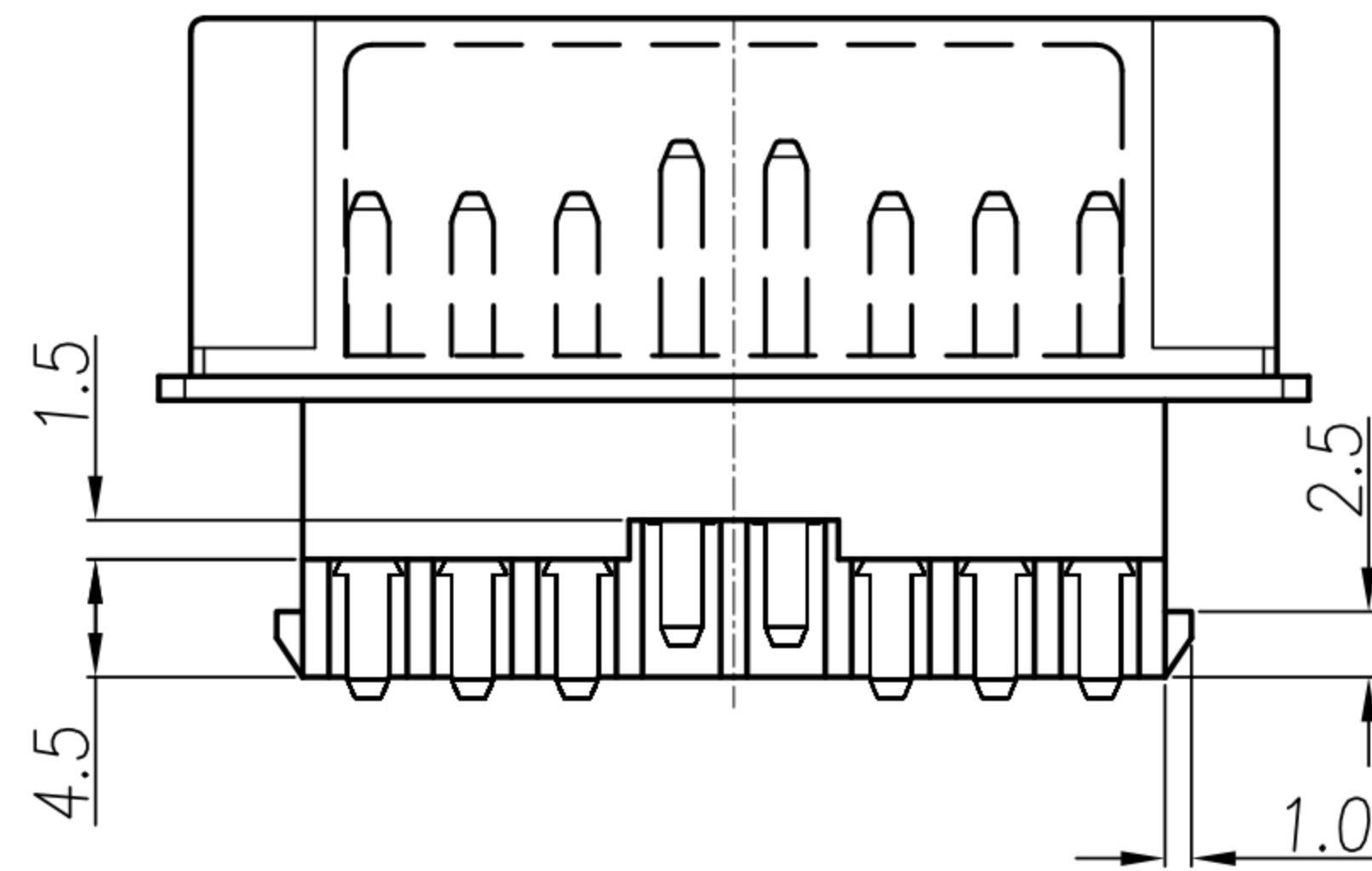
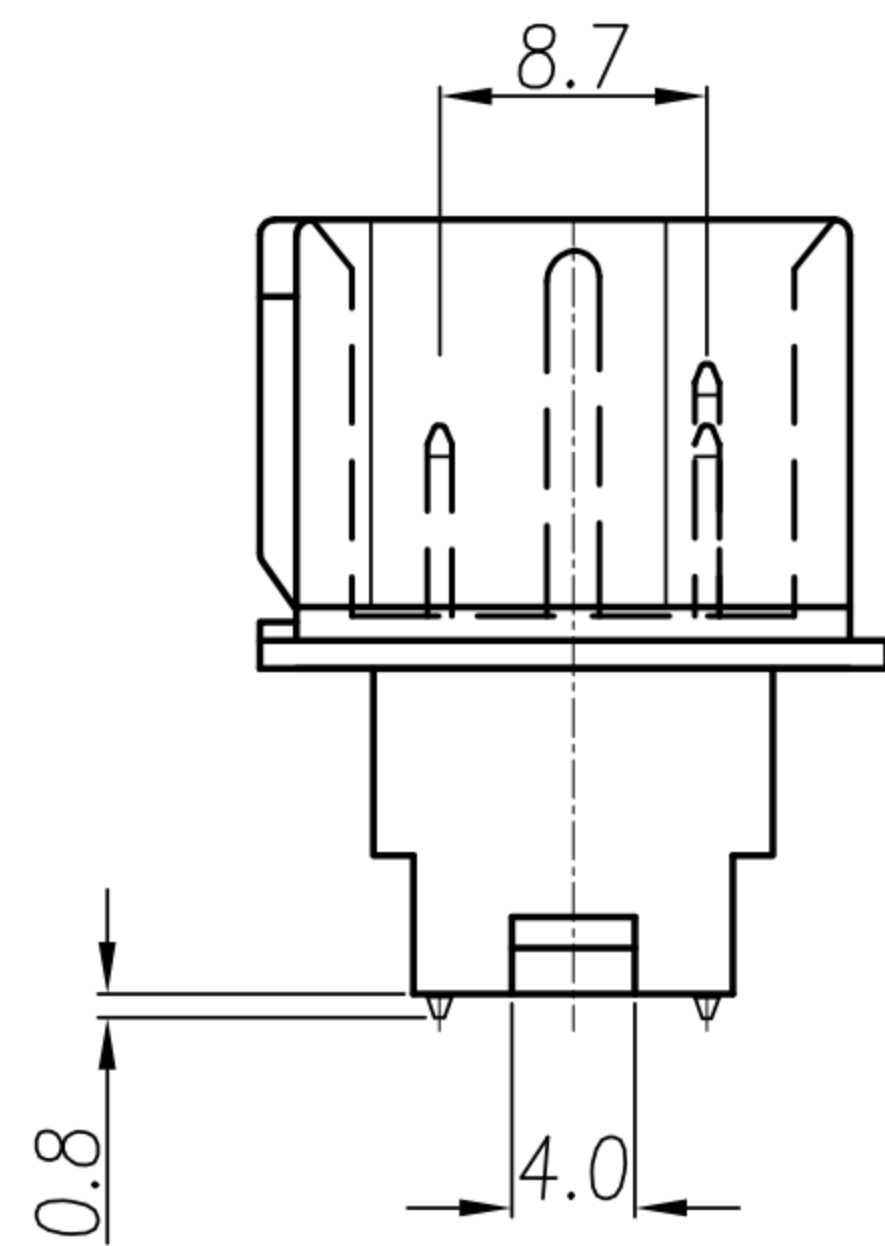
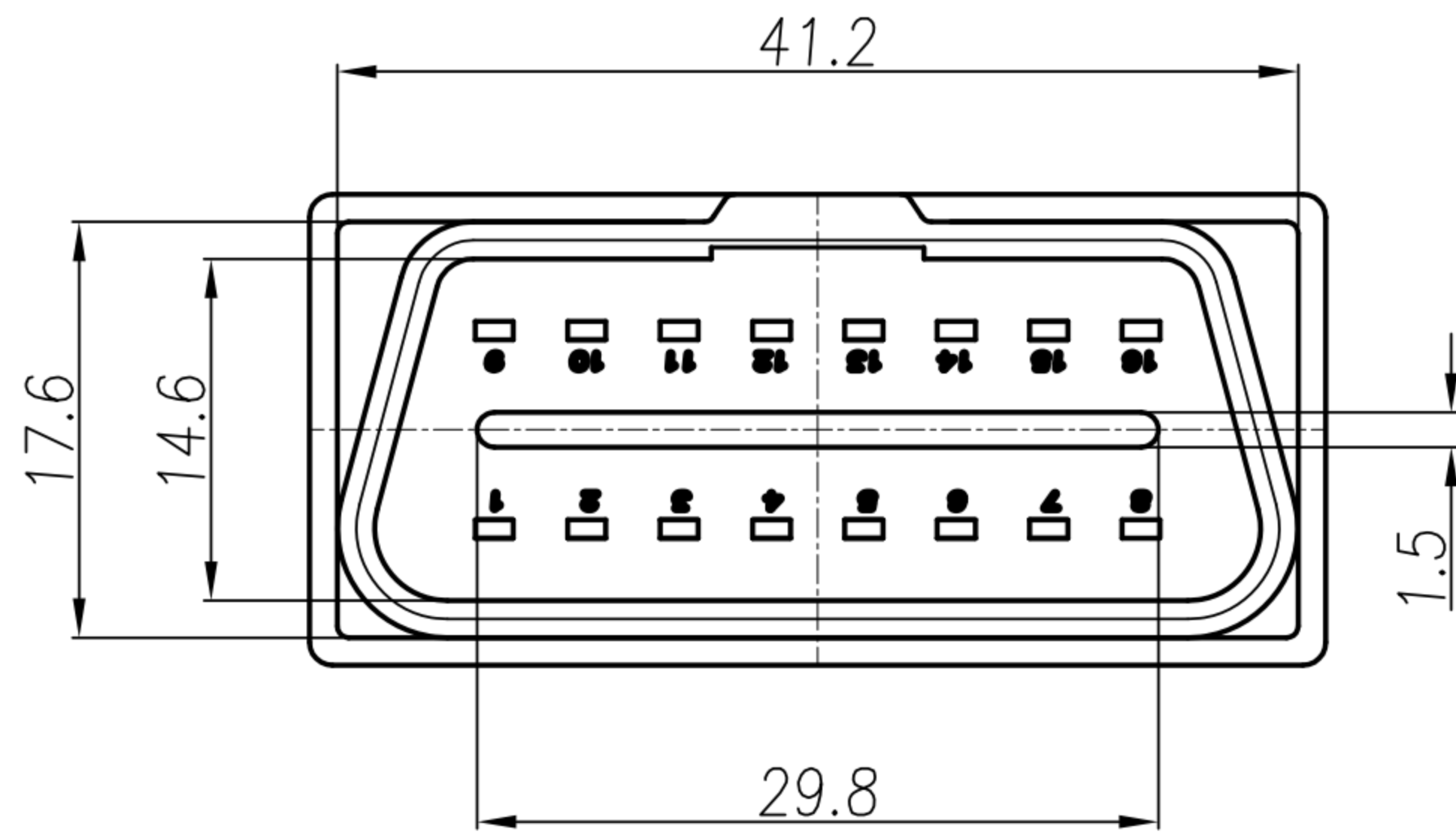


CUSTOMER DRAWING

REV.	DESCRIPTION	APPVL. BY	DATE	ECN NO.
B	RELEASE	Fido Weng	06/17/10*	
C				
D				



- MATERIAL :
 - 1-1. HOUSING : NYLON 66 UL94V-0 ; COLOR : BLACK
 - 1-2. CONTACT : BRASS
- FINISH :
 - 2-1. CONTACT : TIN 100u"

DRAW	Ren Liao	APPVL	Fido Weng	UNIT	mm	TOLERANCE		广东科斯达电子科技有限公司 GUANG DONG KE SI DA ELECTRONIC TECHNOLOGY CO., LTD.	TITLE	OBD2 16PIN (M) 夹板式			SHEET	1
CHECK	Emily Suen			SCALE	1:1	.x ±0.20 .xx ±0.10 .xxx ±0.05 .xxxx ±0.03 ANGULA ±1°			PART NO.	OBD2-16M1-03	DWG NO.	QC1712	VERSION	A