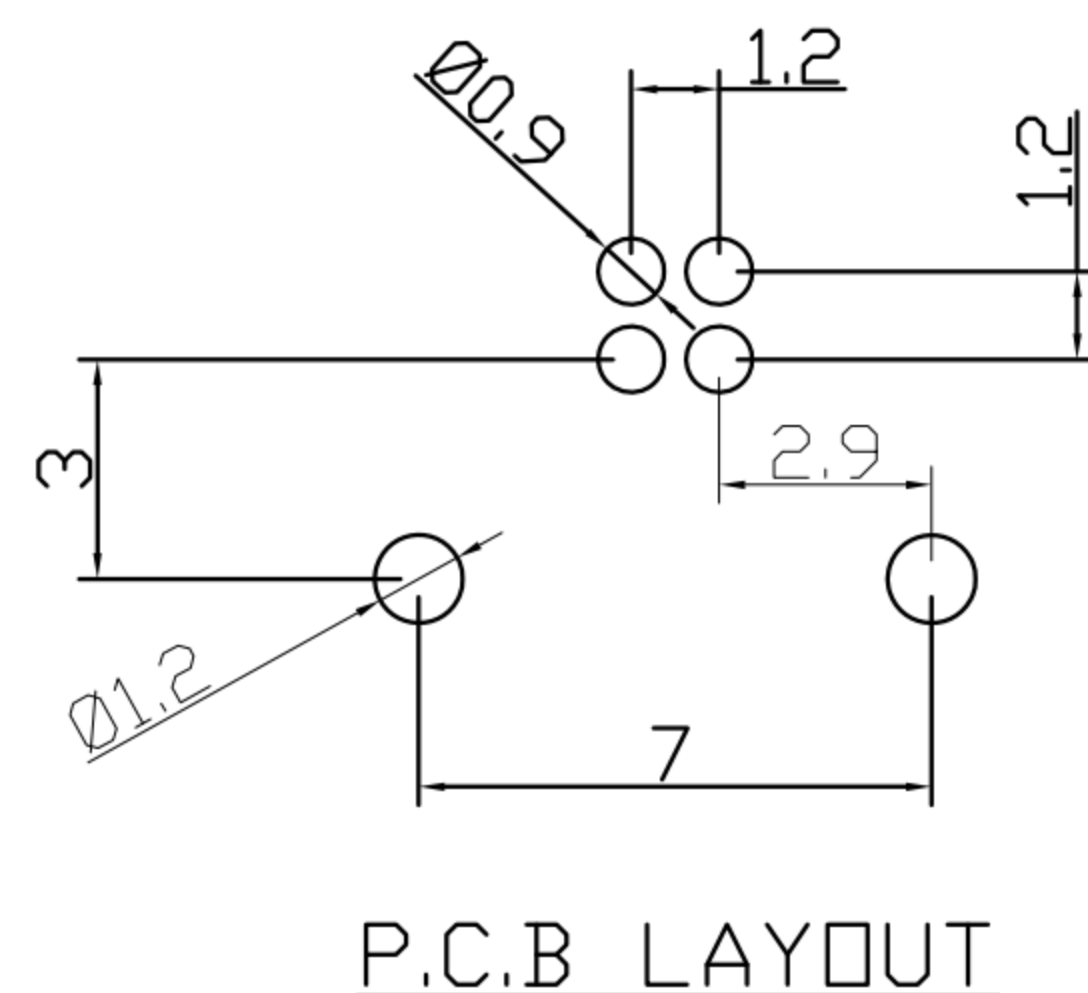
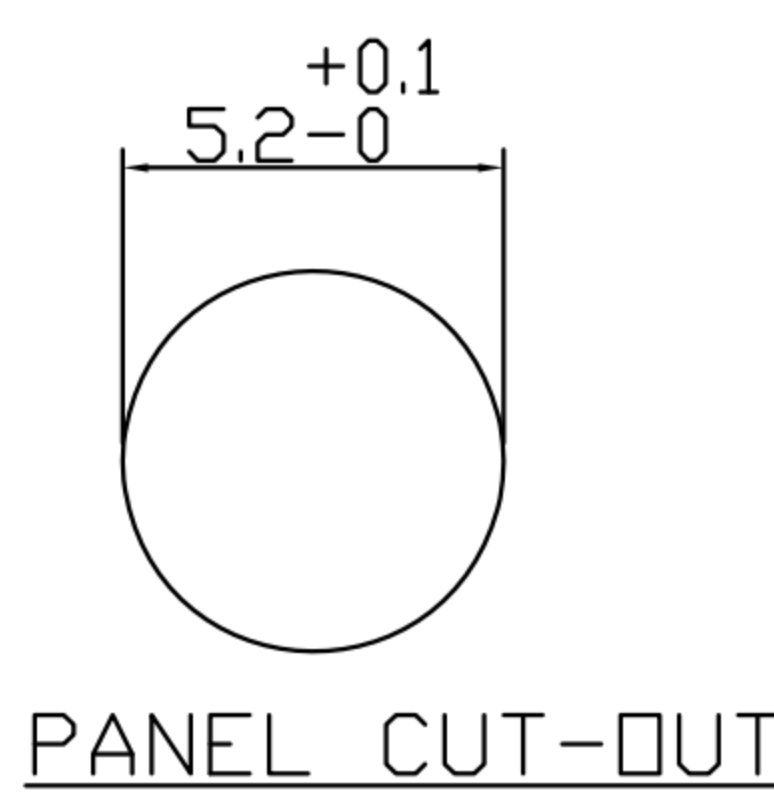
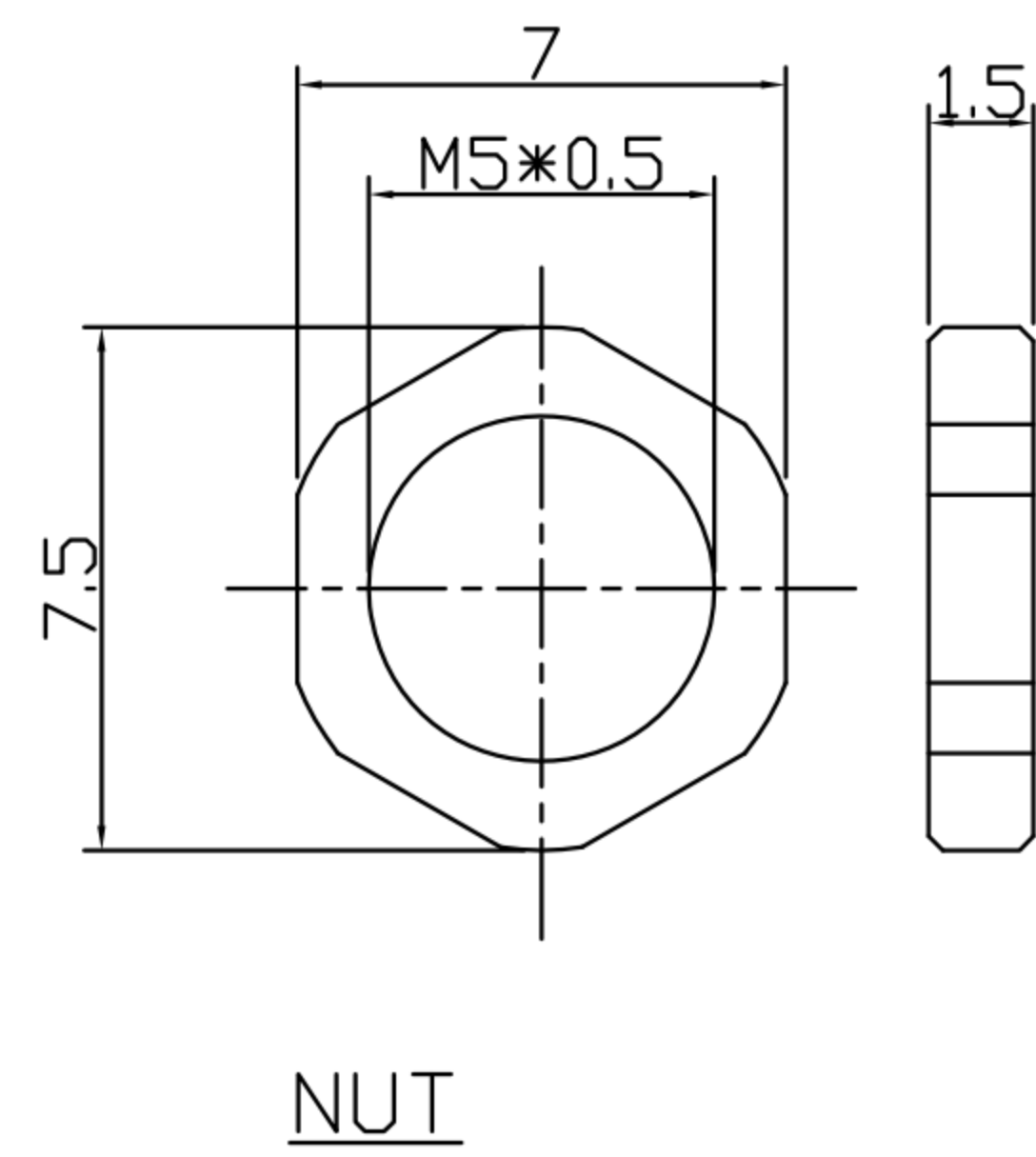
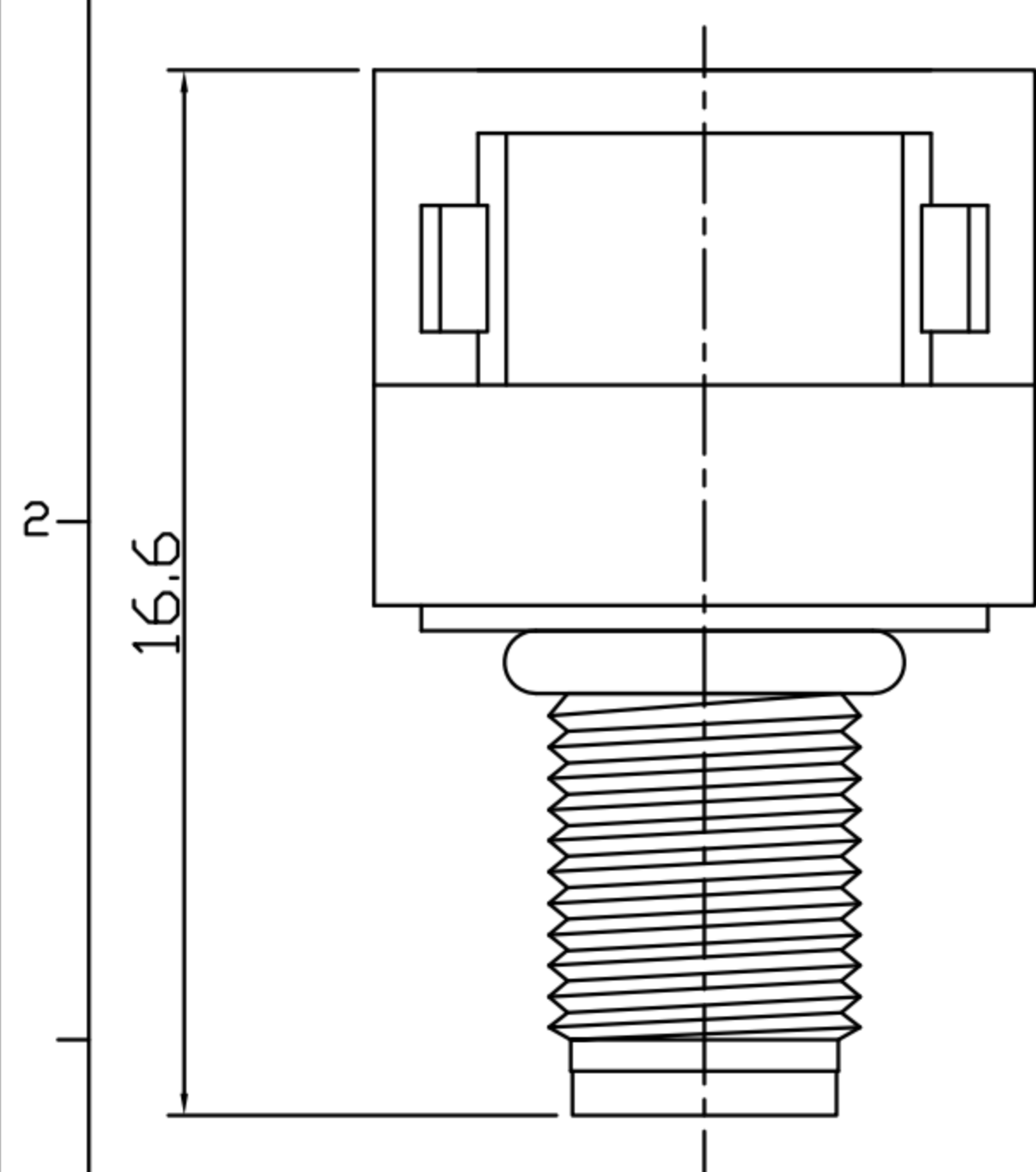


CUSTOMER DRAWING

REV.	DESCRIPTION	APPROVED BY	DATE	ECN NO.
△A	RELEASE	Fido Weng	22/12/08'	
△B	增加料號		14/01/15'	
△C				



- NOTE:
- MATERIAL :
 - 1-1. HOUSING : PBT UL94V-0 ; COLOR : BLACK
 - 1-2. CONTACT : BRASS
 - 1-3. NUT : BRASS
 - 1-4. SHELL : BRASS
 - 1-5. O-RING : NBR ; COLOR : BLACK
 - 1-6. BACK HOUSING : PBT UL94V-0 ; COLOR : BLACK
 - 1-7. DOWN HOUSING : PBT UL94V-0 ; COLOR : BLACK
 - FINISH :
 - 2-1. CONTACT : SEE TABLE A
 - 2-2. NUT : SEE TABLE A
 - 2-3. SHELL : SATIN NICKEL PLATED
 - ELECTRICAL SPECIFICATION :
 - 3-1. Rated current : 1A
 - 3-2. Rated voltage : 60V
 - 3-3. Water proof: IP67
 - Environmental :
 - 4-1. Operation Temperature : -20℃~85℃

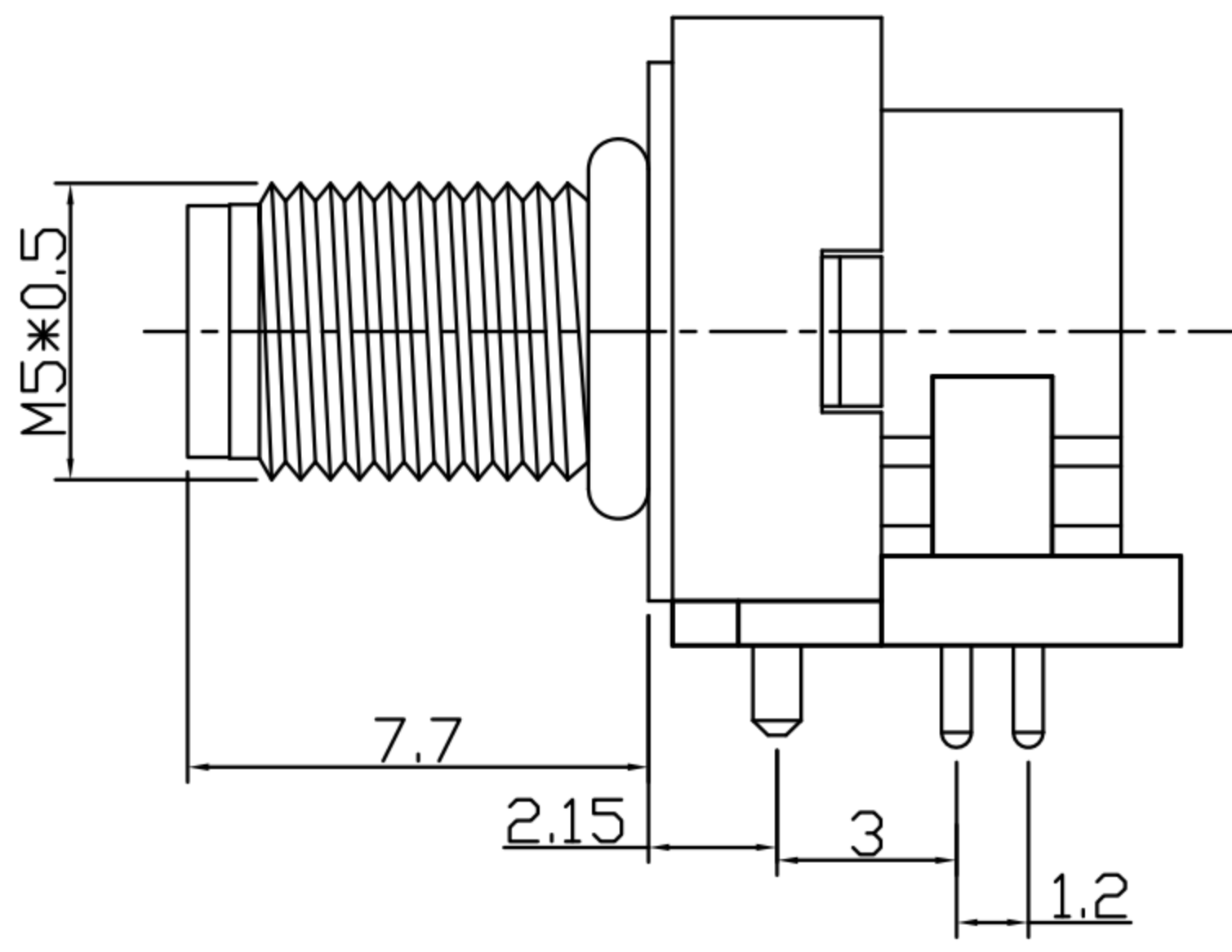
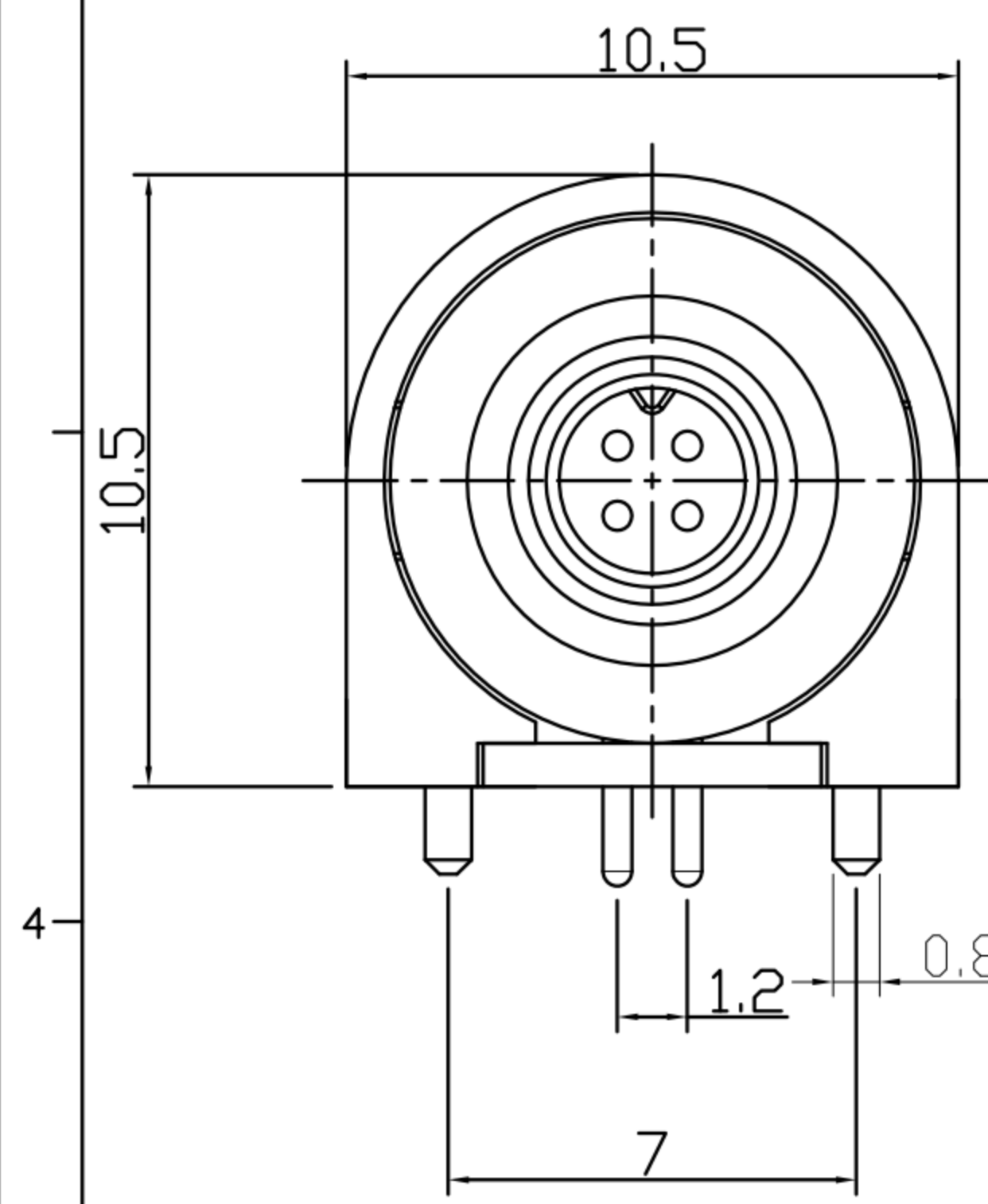


TABLE A

Diagram	CONTACT	NUT
	WP-04M2-144-11	GOLD FLASH
	WP-04M2-118-11	GOLD 10u"
	WP-03M2-61-11	GOLD 10u"
	WP-02M2-42-11	GOLD 10u"
	WP-04M2-54	GOLD FLASH
	WP-03M2-46-11	GOLD FLASH
	WP-02M2-34-11	GOLD FLASH
	PART NO	