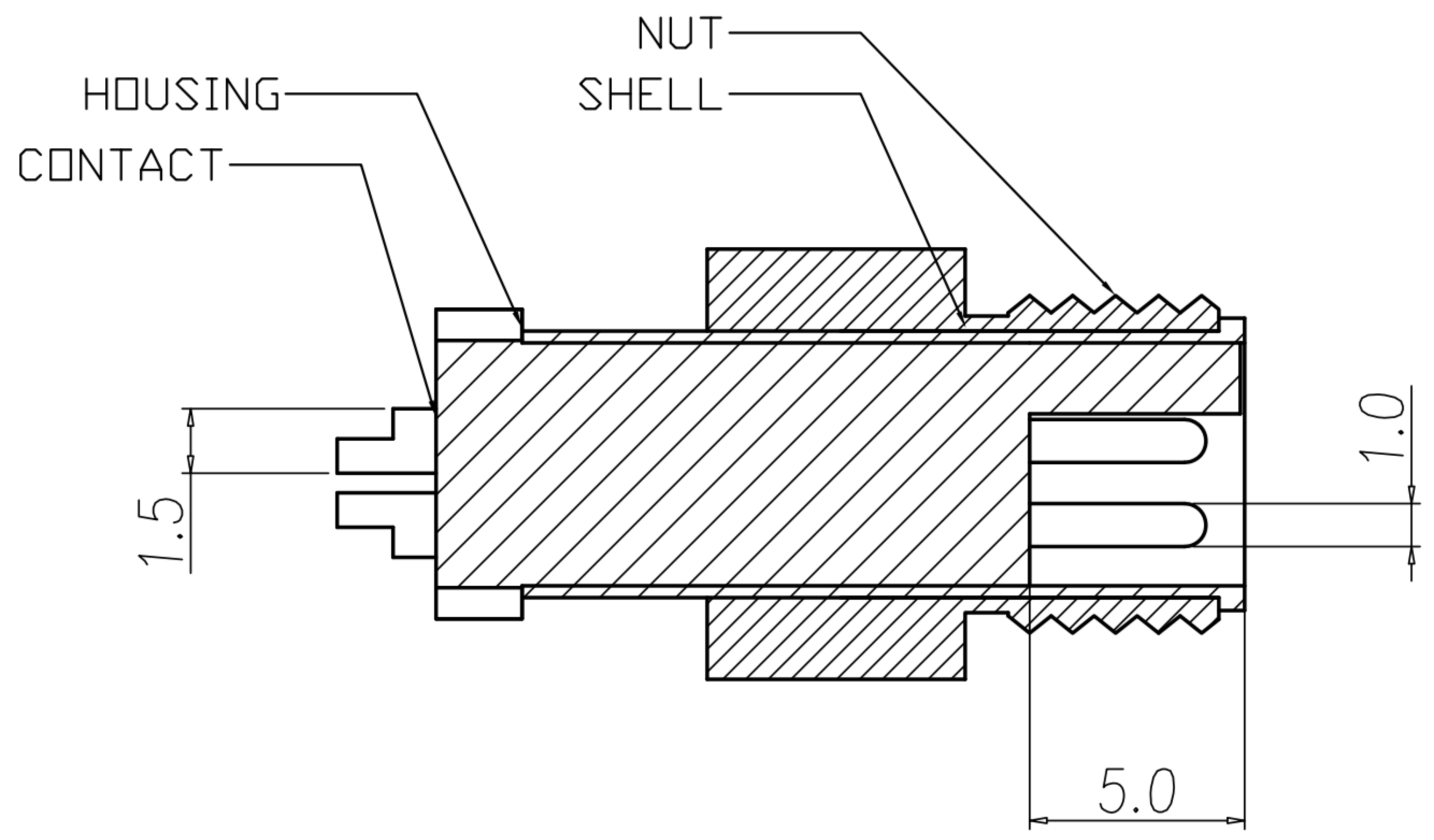
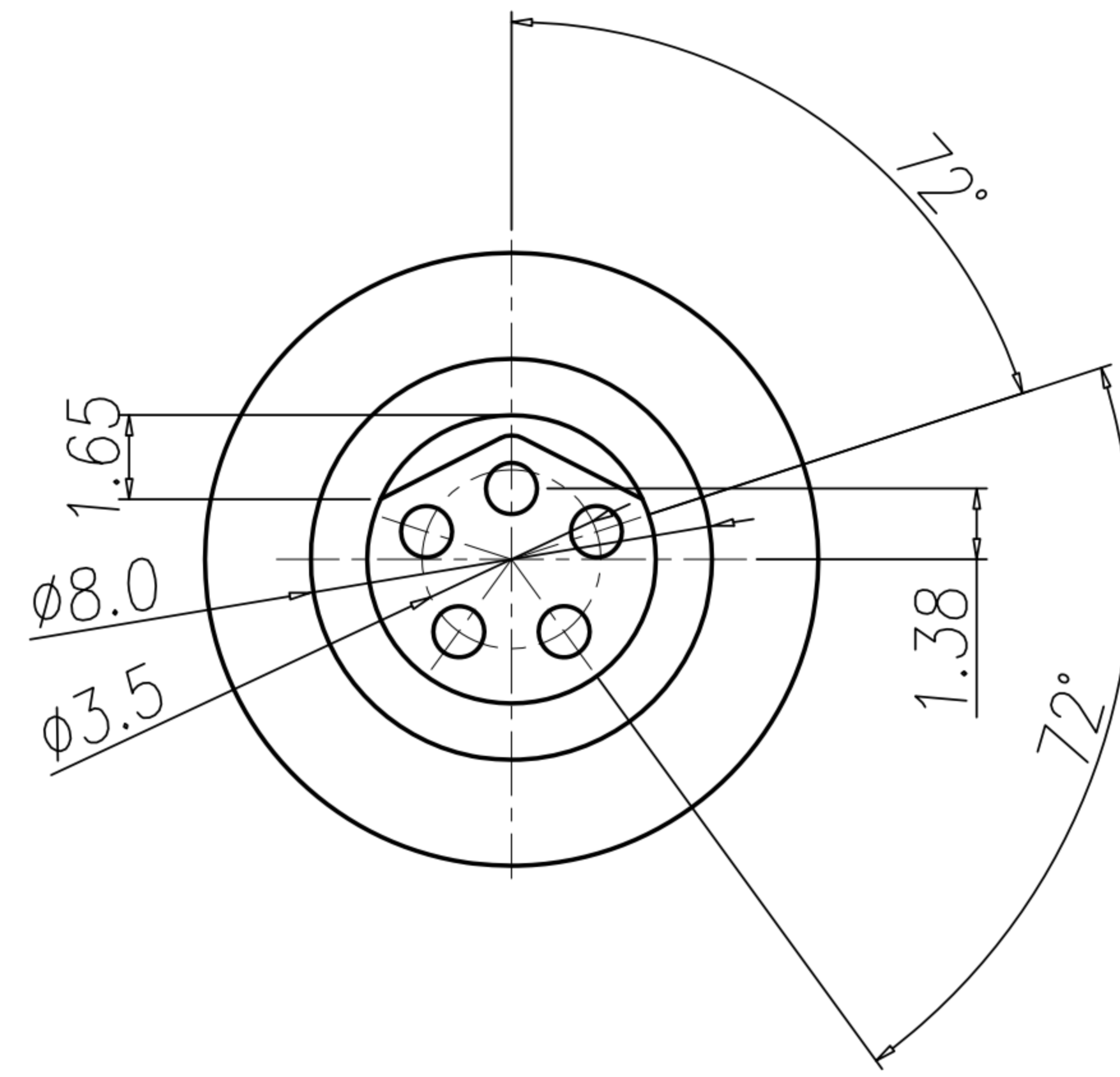
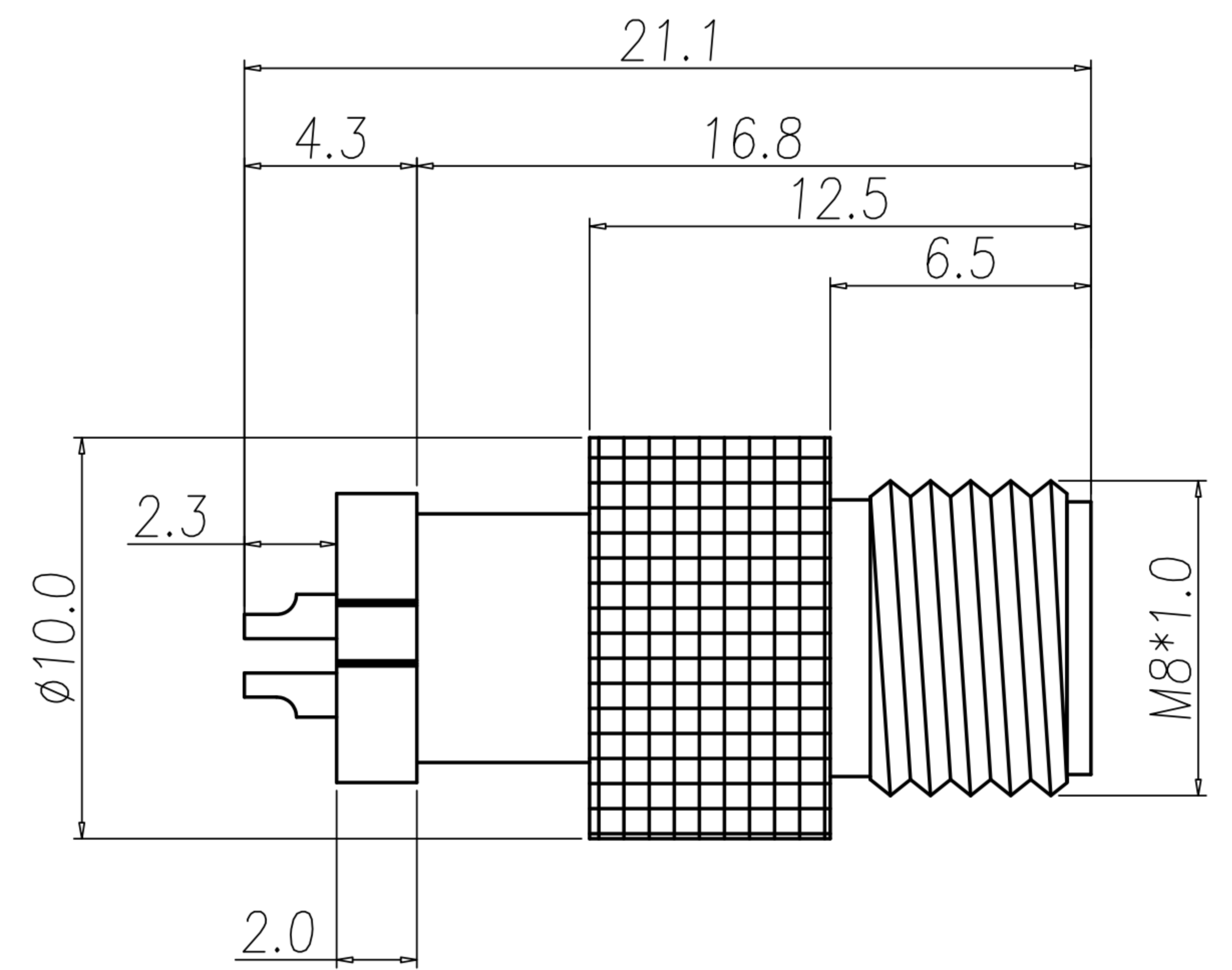


CUSTOMER DRAWING

REV.	DESCRIPTION	APPVL. BY	DATE	ECN NO.
A	RELEASE	Fido Weng	14/06/10'	
B				
C				



NOTE:

1. MATERIAL :
 - 1-1. HOUSING : PBT UL94V-0 ; COLOR : BLACK
 - 1-2. CONTACT : BRASS.
 - 1-3. SHELL : BRASS.
 - 1-4. NUT : BRASS.
2. FINISH :
 - 2-1. CONTACT : 10 MICRO INCHES MIN. GOLD PLATING OVER NICKEL
 - 2-2. SHELL : NICKEL PLATED.
 - 2-3. NUT : NICKEL PLATED.
3. ELECTRICAL SPECIFICATION :
 - 3-1. Rated current : 3A
 - 3-2. Rated Voltage : 30V
 - 3-3. Water proof : IP67
4. Environmental :
 - 4-1. Operation Temperature : -20 °C~85°C

DRAWN	Mark Kao	APP'D	Ku Chou	UNIT	mm	TOLERANCE		广东科斯达电子科技有限公司 GUANG DONG KE SI DA ELECTRONIC TECHNOLOGY CO., LTD.	TITLE	防水頭 M8-5PIN (M) 焊線式+接地(螺母外徑10.0mm)			SHEET	
CHK'D	Emily Suen			SCALE	1:1	.x ±0.20 .xx ±0.10 .xxx ±0.05 .xxxx ±0.03 ANGULA ±1°			PART NO.	WP-05M2-87-11	DWG NO.	QC6990	VERSION	