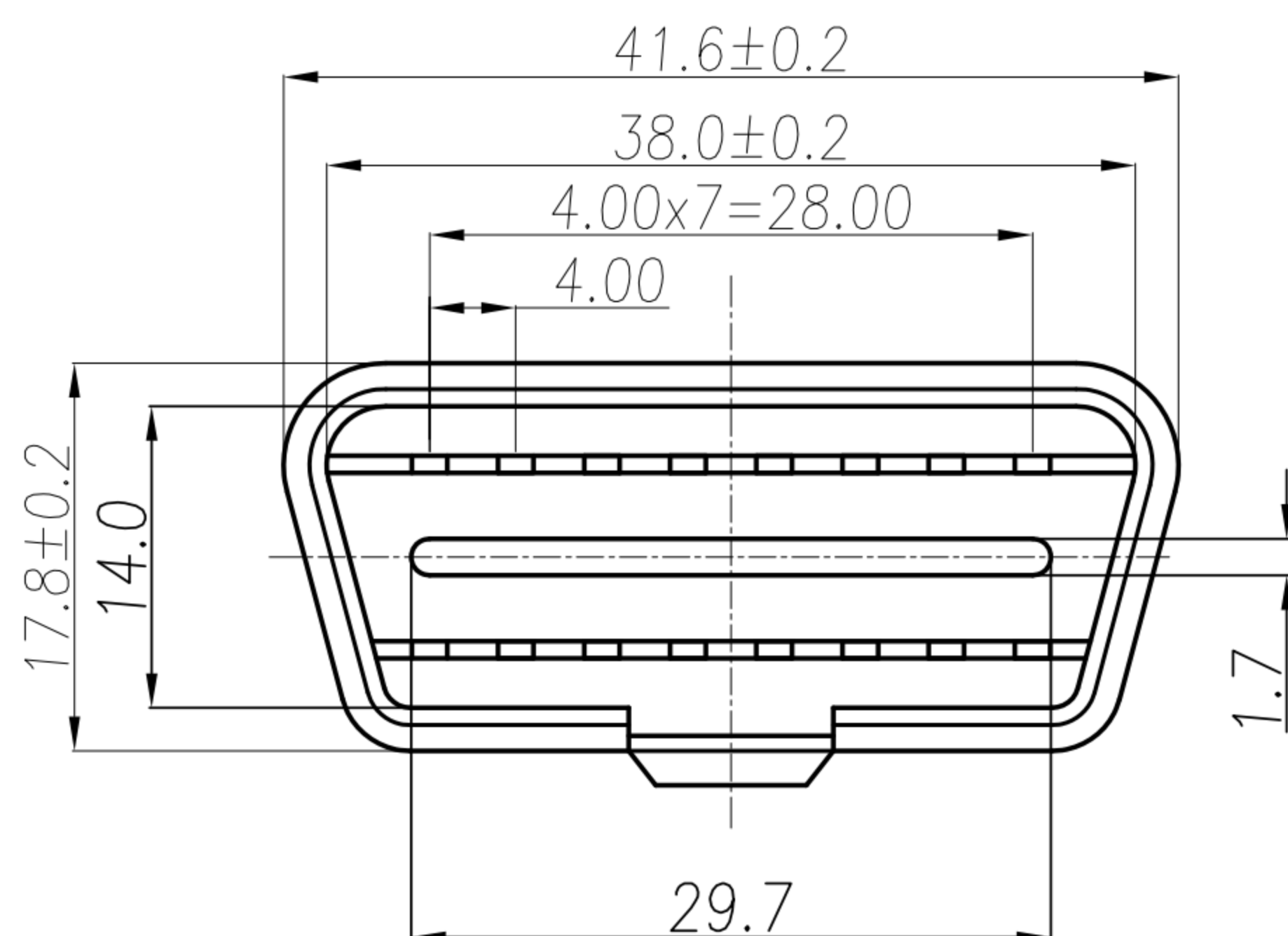
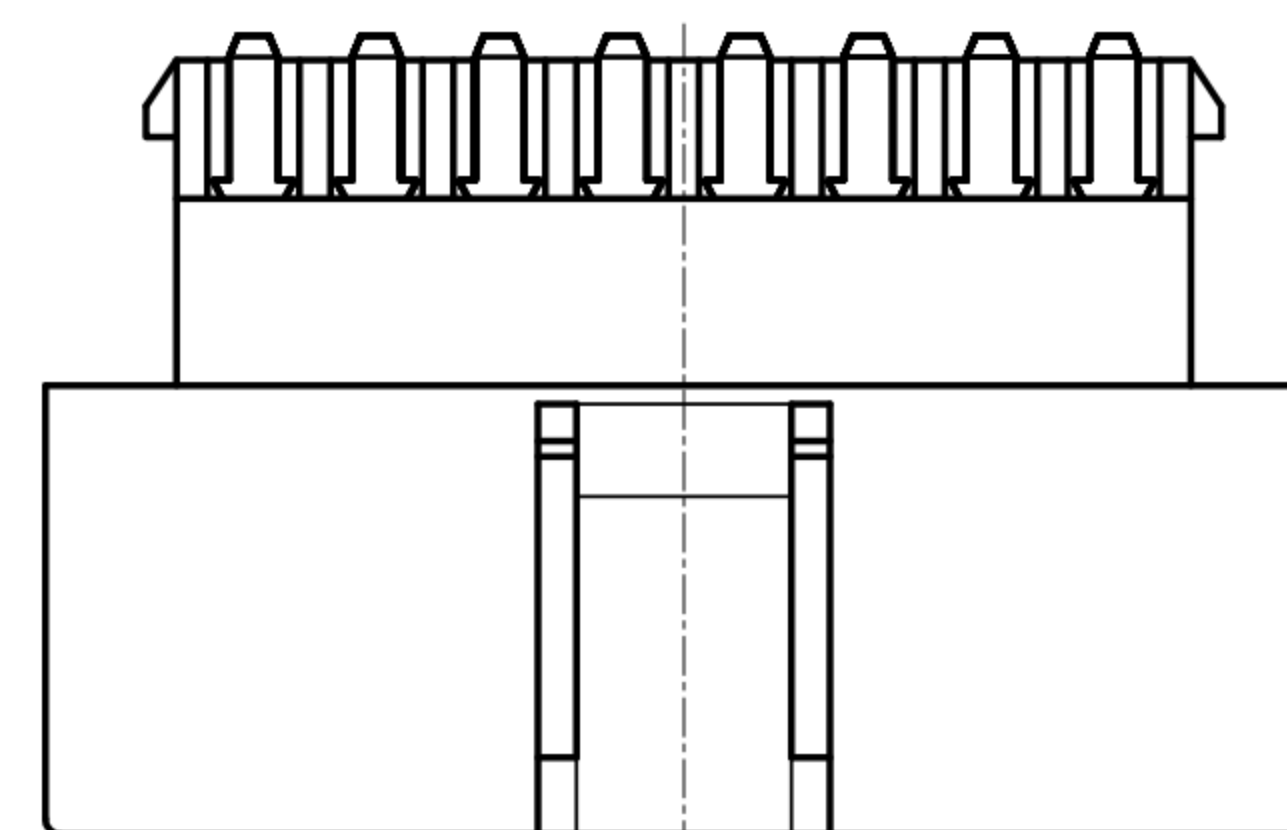
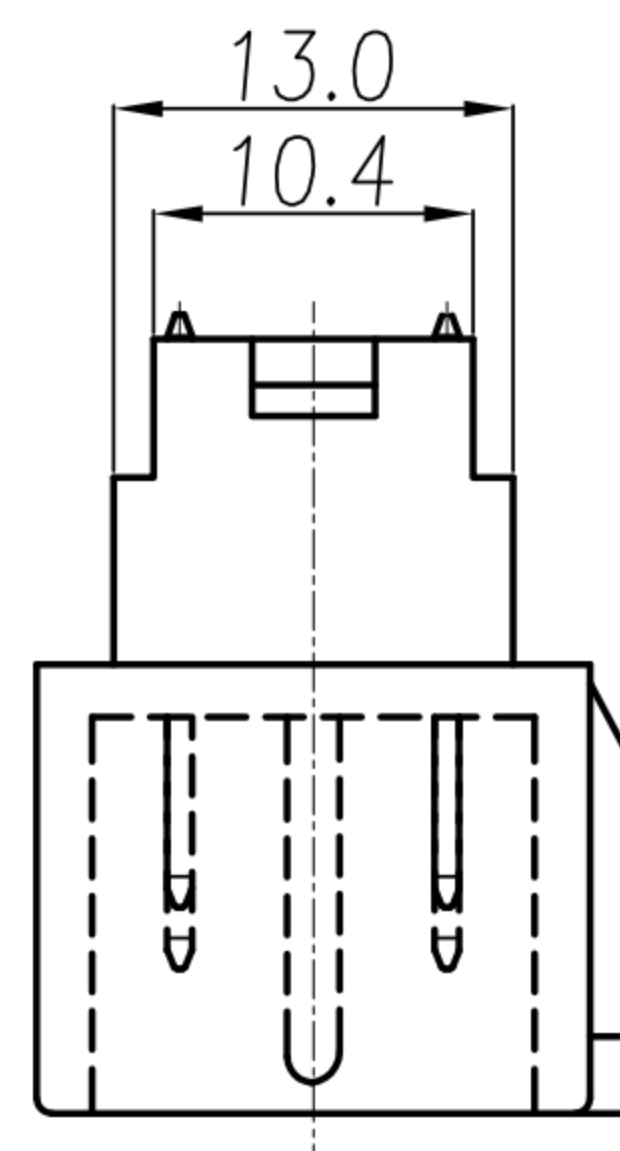
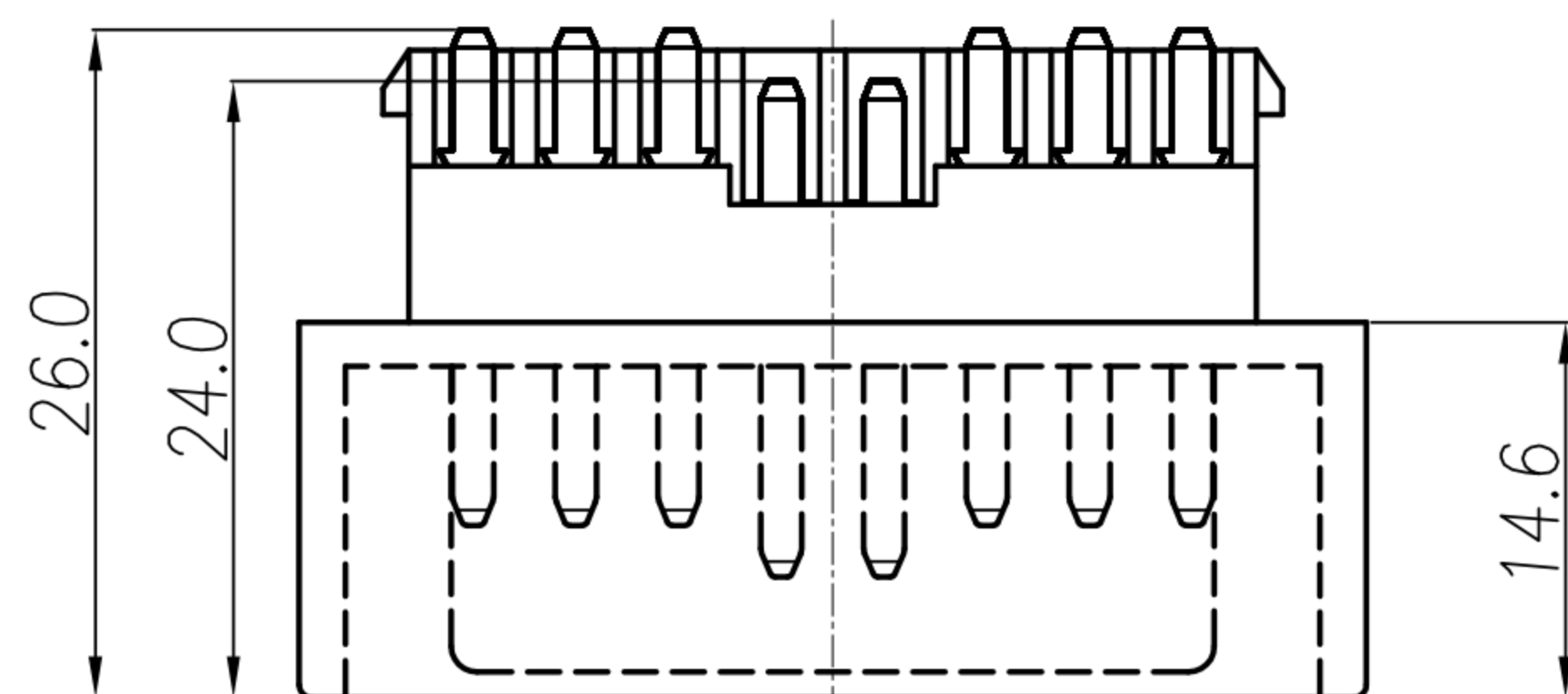
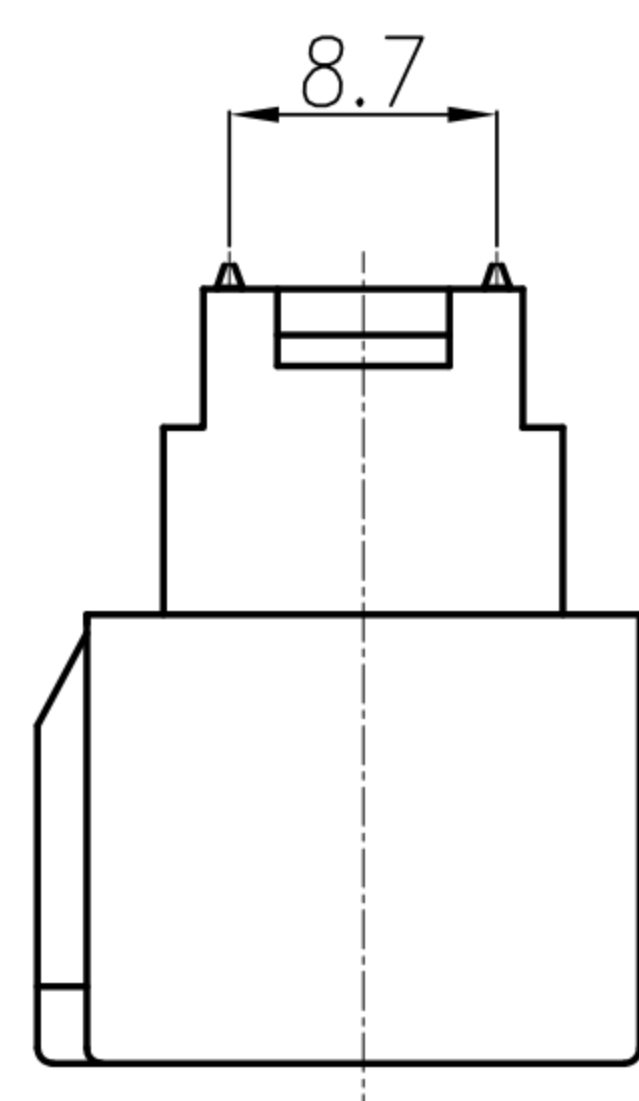
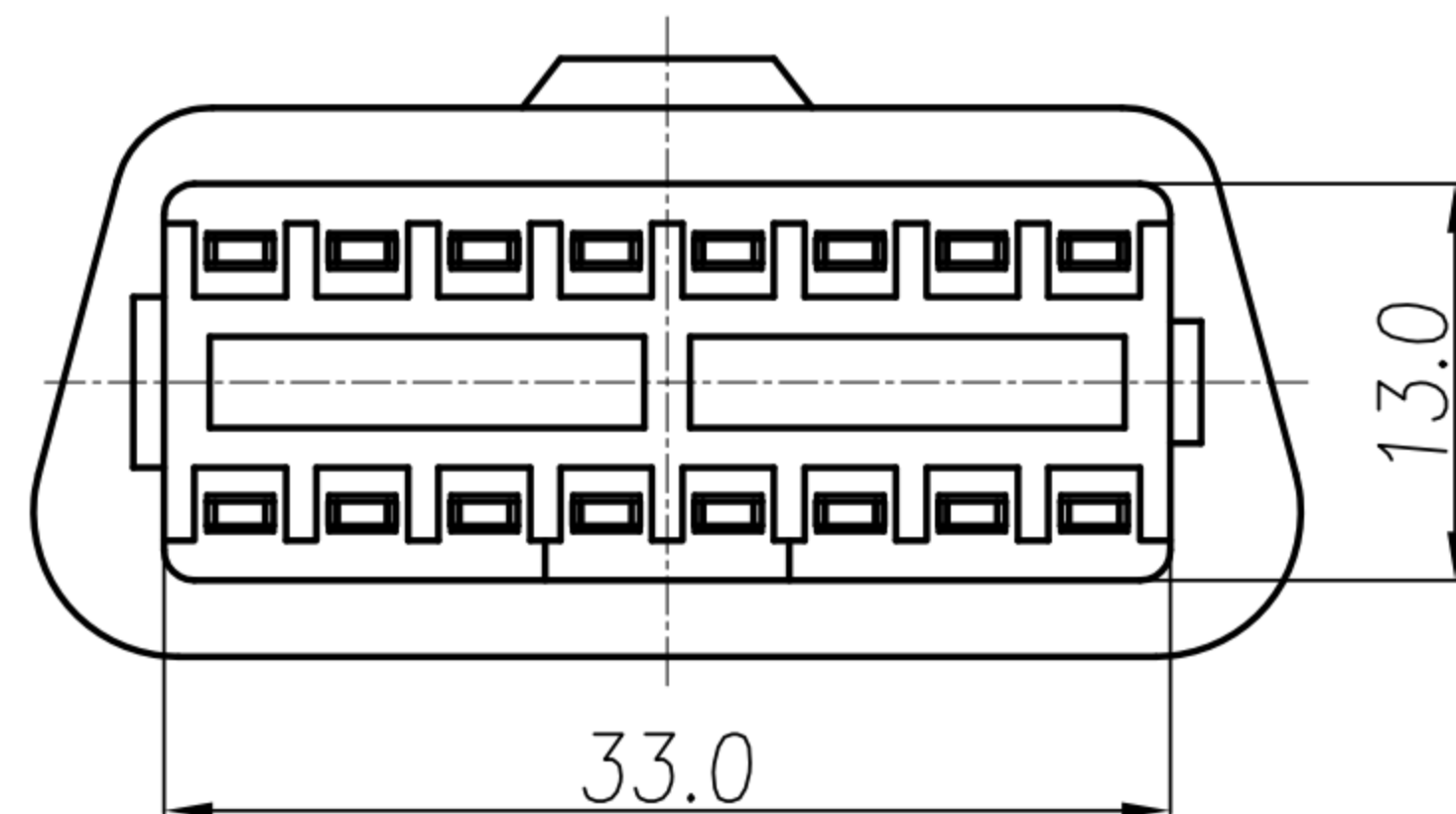


# CUSTOMER DRAWING

REV.	DESCRIPTION	APPVL. BY	DATE	ECN NO.
B	ADD P/N	Emily Suen	10/06/11'	ECN11035
C	新增料號		09/09/14'	
D	新增料號		22/08/16'	

TABLE A

D	OBD2-16M1-63-11	OBD2 16(M)成型式	金5u"	NYLON 66+20%GF
C	OBD2-16M1-52-11	OBD2 16(M)成型式	錫100u"	NYLON 66
B	OBD2-16M1-33	OBD2 16(M)成型式	金15u"/亮錫60u"	NYLON 66+20%GF
	OBD2-16M1-06	OBD2 16(M)成型式	表金/亮錫60u"	NYLON 66+20%GF
	OBD2-16M1-05	OBD2 16(M)成型式	金30u"/亮錫60u"	NYLON 66+20%GF
	OBD2-16M1-02	OBD2 16(M)成型式	錫100u"	NYLON 66+20%GF
	P/N	DESCRIPTION	PLATING	HOUSING



- MATERIAL :
  - HOUSING : SEE TABLE A ; COLOR : BLACK
  - CONTACT A : BRASS
- FINISH :
  - CONTACT : TABLE A
  - UNDER PLATE : NICKEL
- ELECTRICAL SPECIFICATION :
  - Rated current : 4A
  - Voltage :30V
- Environmental :
  - Operation Temperature : -40 ℃~85℃

DRAW	Yeh Chou	APPVL	Fido Weng	UNIT	mm	TOLERANCE				TITLE	SEE TABLE A			SHEET	
CHECK	Emily Suen			SCALE	1:1					PART NO.	SEE TABLE A	DWG NO.	QC1256	VERSION	