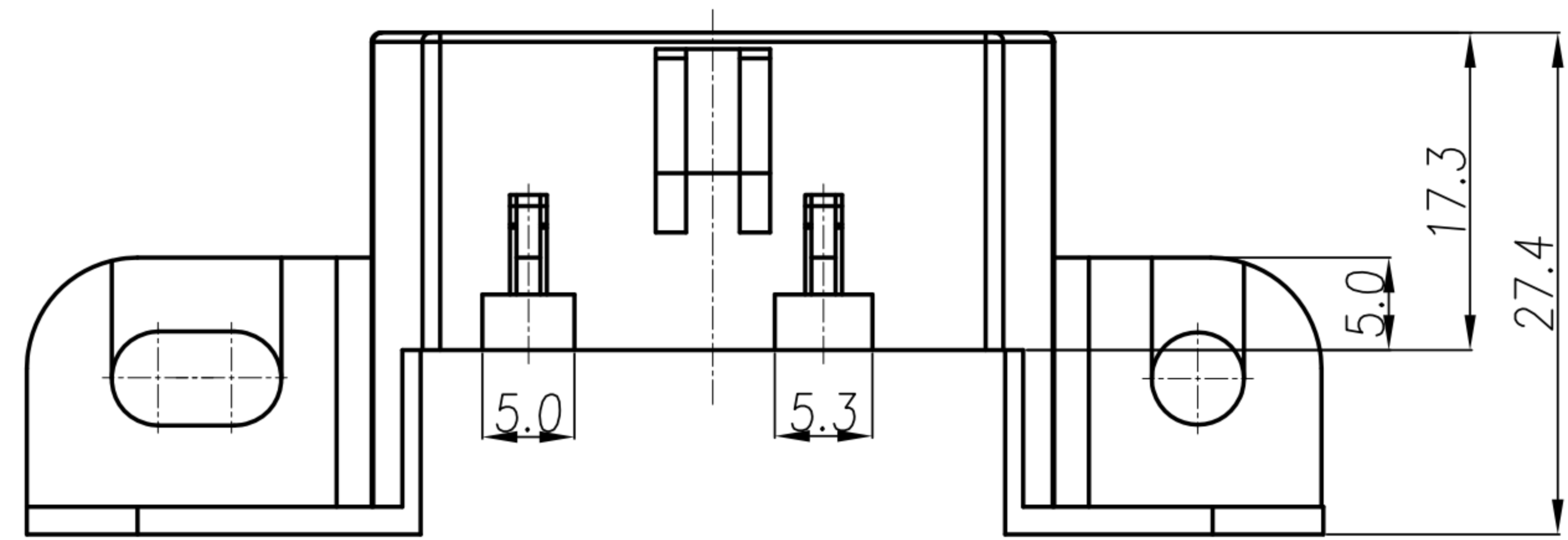
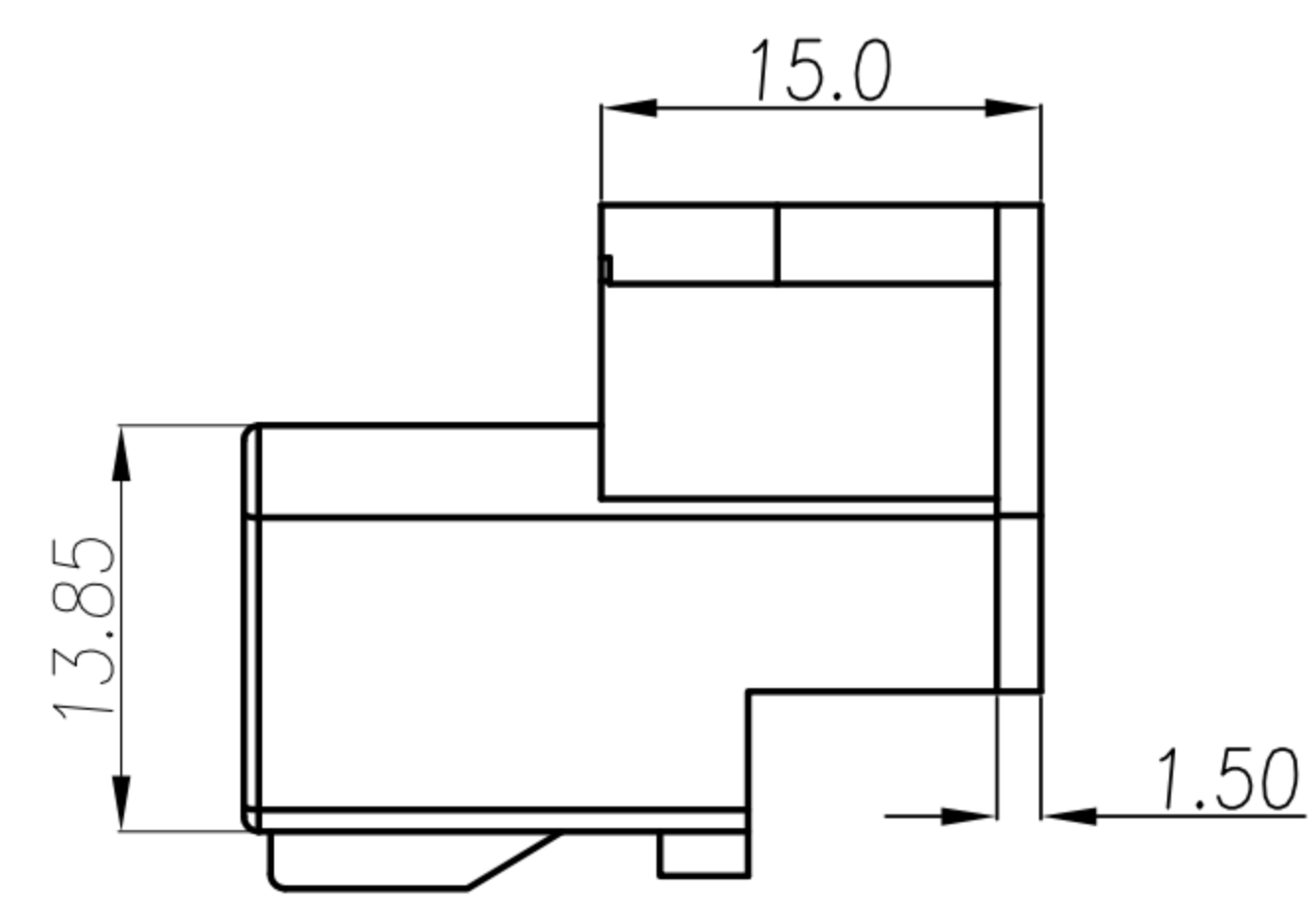
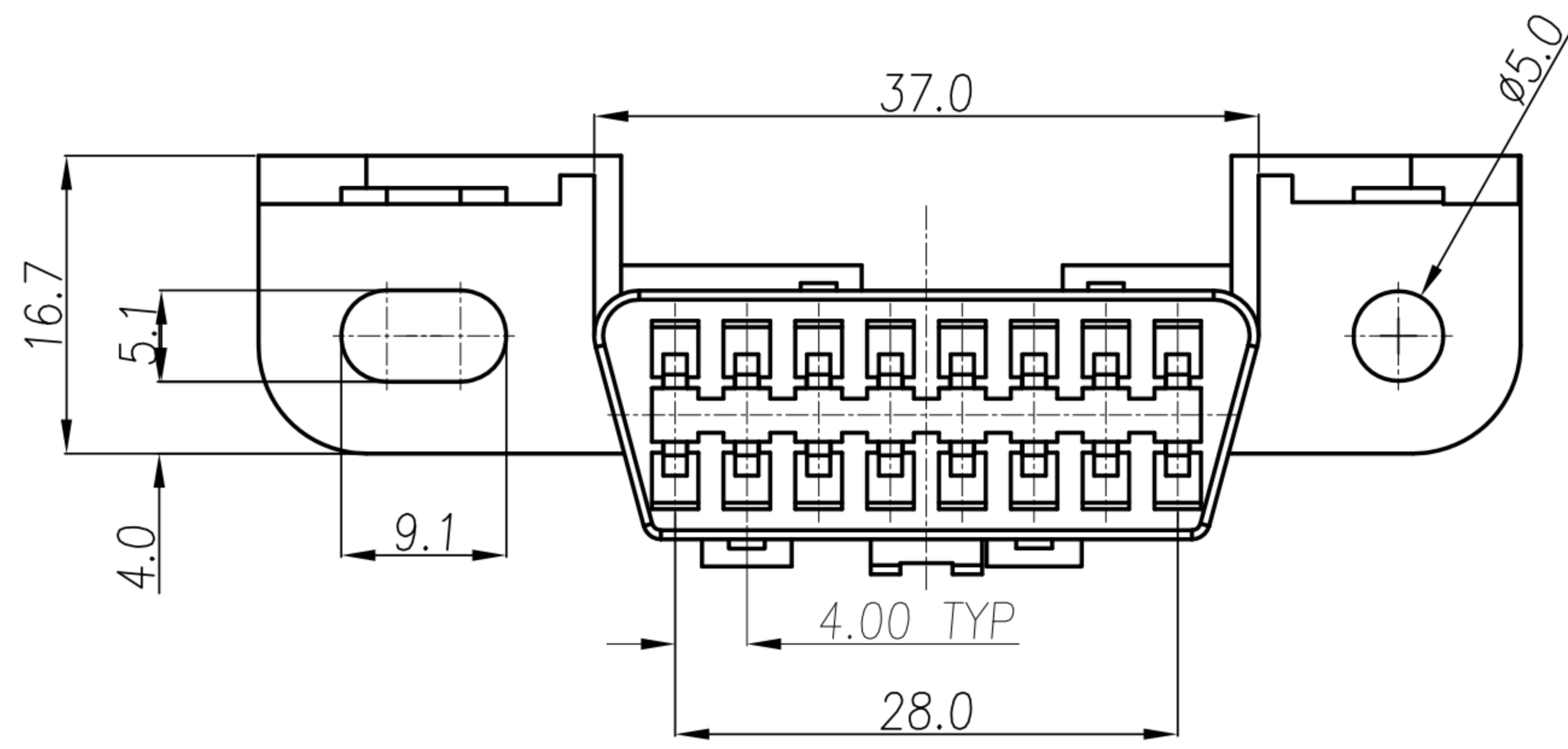
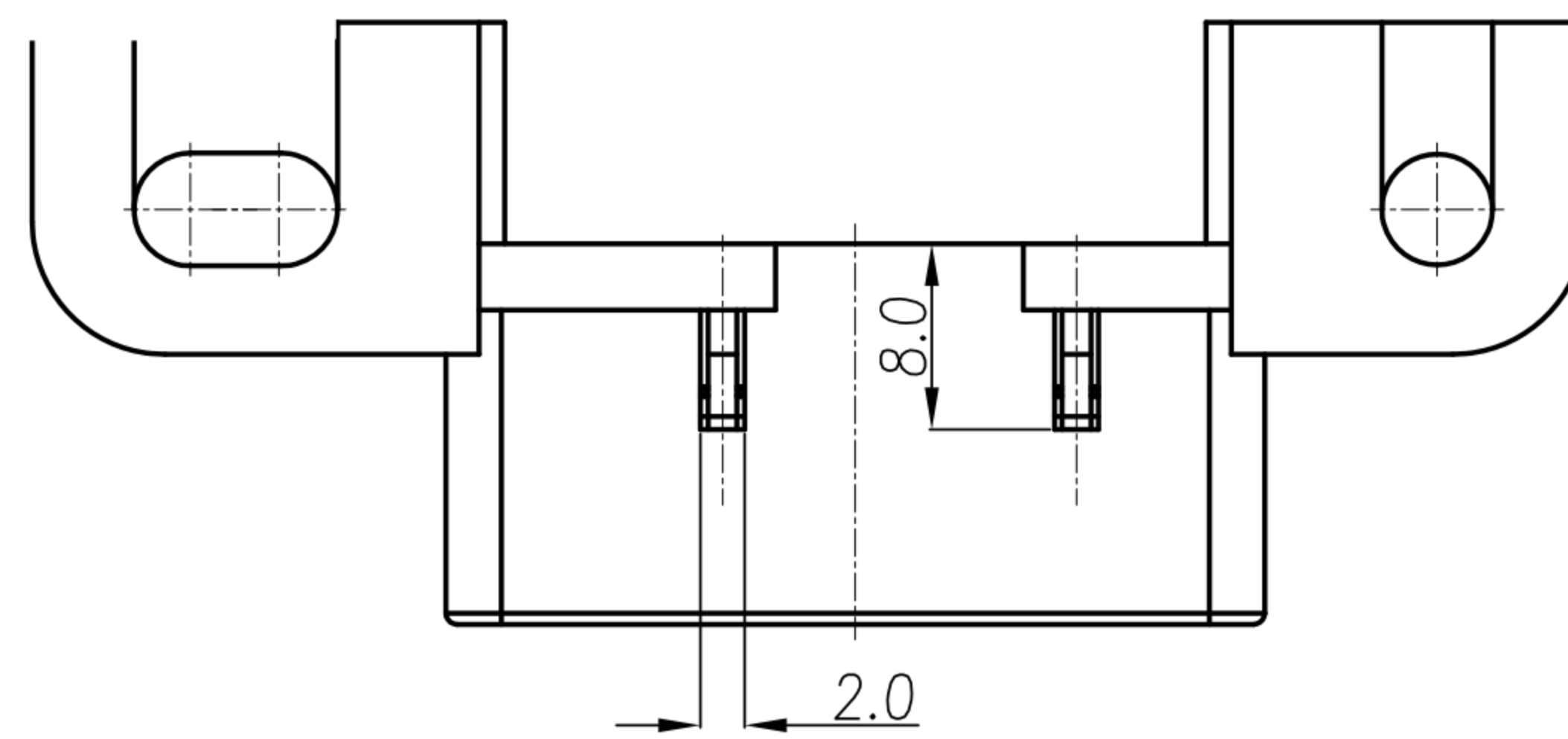


CUSTOMER DRAWING

REV.	DESCRIPTION	APPVL. BY	DATE	ECN NO.
A	RELEASE & CHANGE MATERIAL	Fido Weng	24/07/09*	
B	修改材質	Fido Weng	04/08/09*	ECN09119
C				



1. MATERIAL :
 1-1.INSULATION: NYLON 66 ,COLOR:NATURE BLACK.

DRAW	Ku Chou	APPVL	Emily Suen	UNIT	mm	TOLERANCE .x ±0.10 .xx ±0.05 .xxx ±0.03 .xxx ±0.01 ANGULA ±1°		广东科斯达电子科技有限公司 GUANG DONG KE SI DA ELECTRONIC TECHNOLOGY CO., LTD.	TITLE	OBD2 16POS RECEPTACLE,HOUSING			SHEET	1
CHECK	Emily Suen			SCALE	1:1				PART NO.	ON-TE0160	DWG NO.	QC3792	VERSION	A