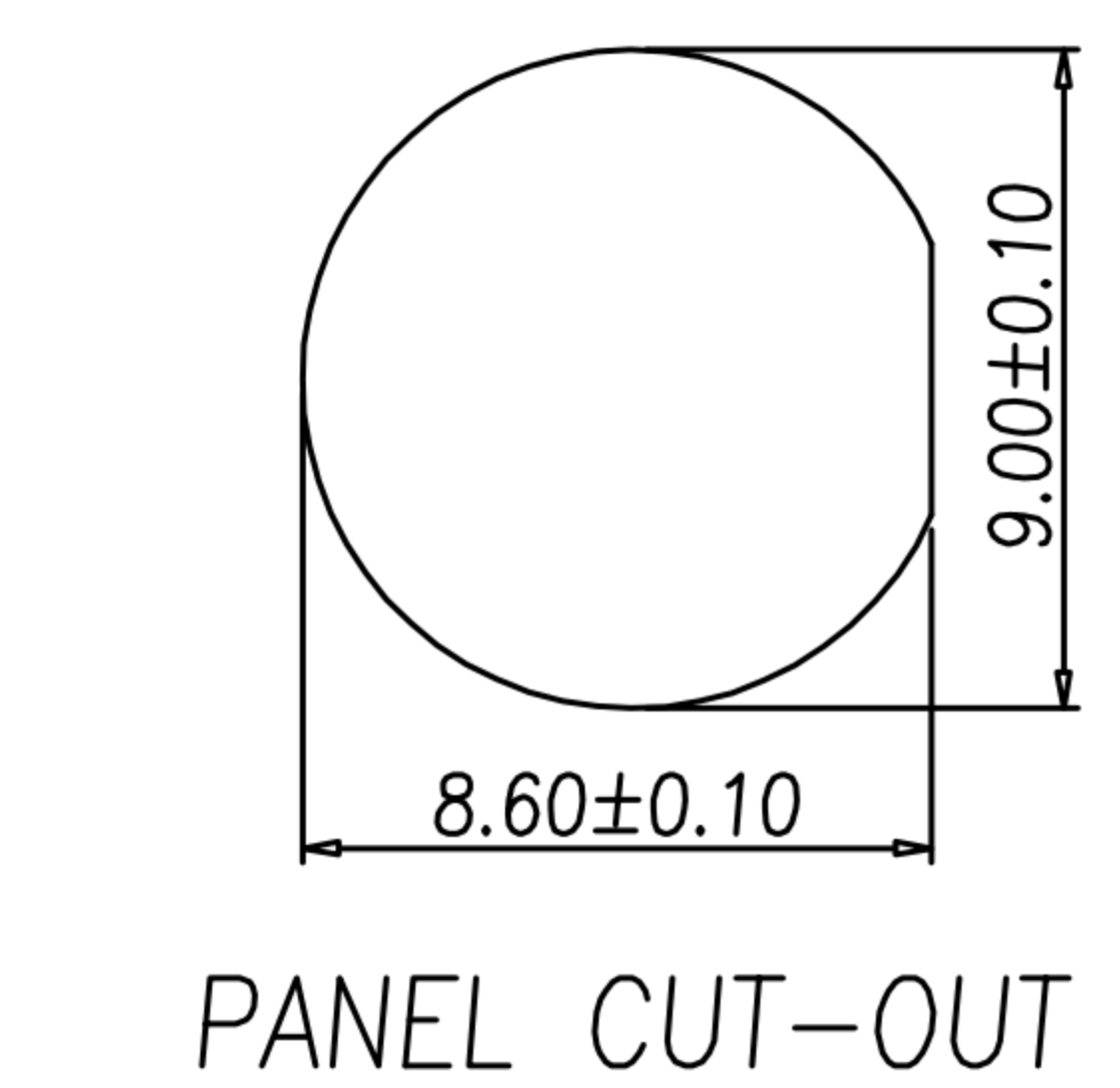
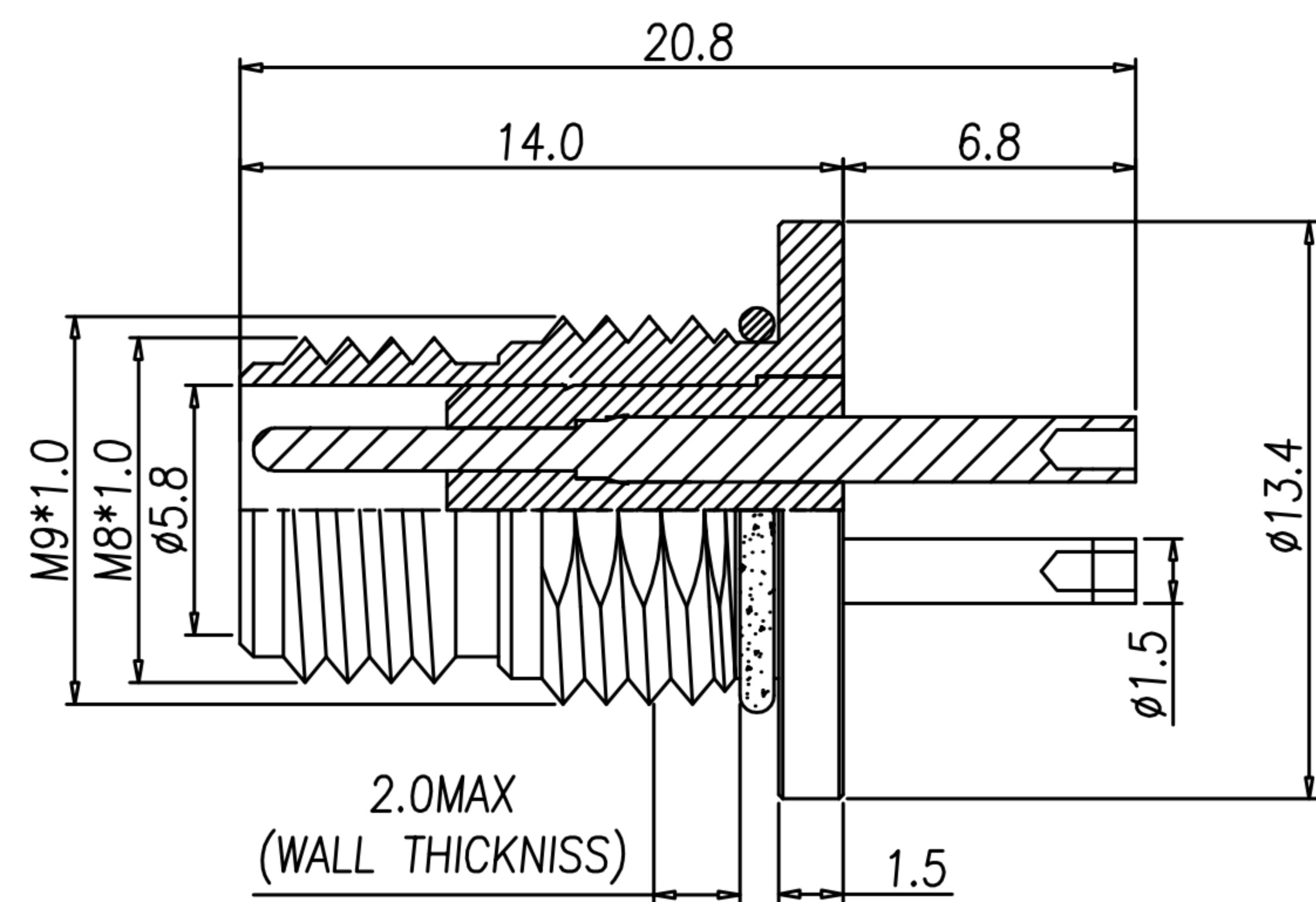
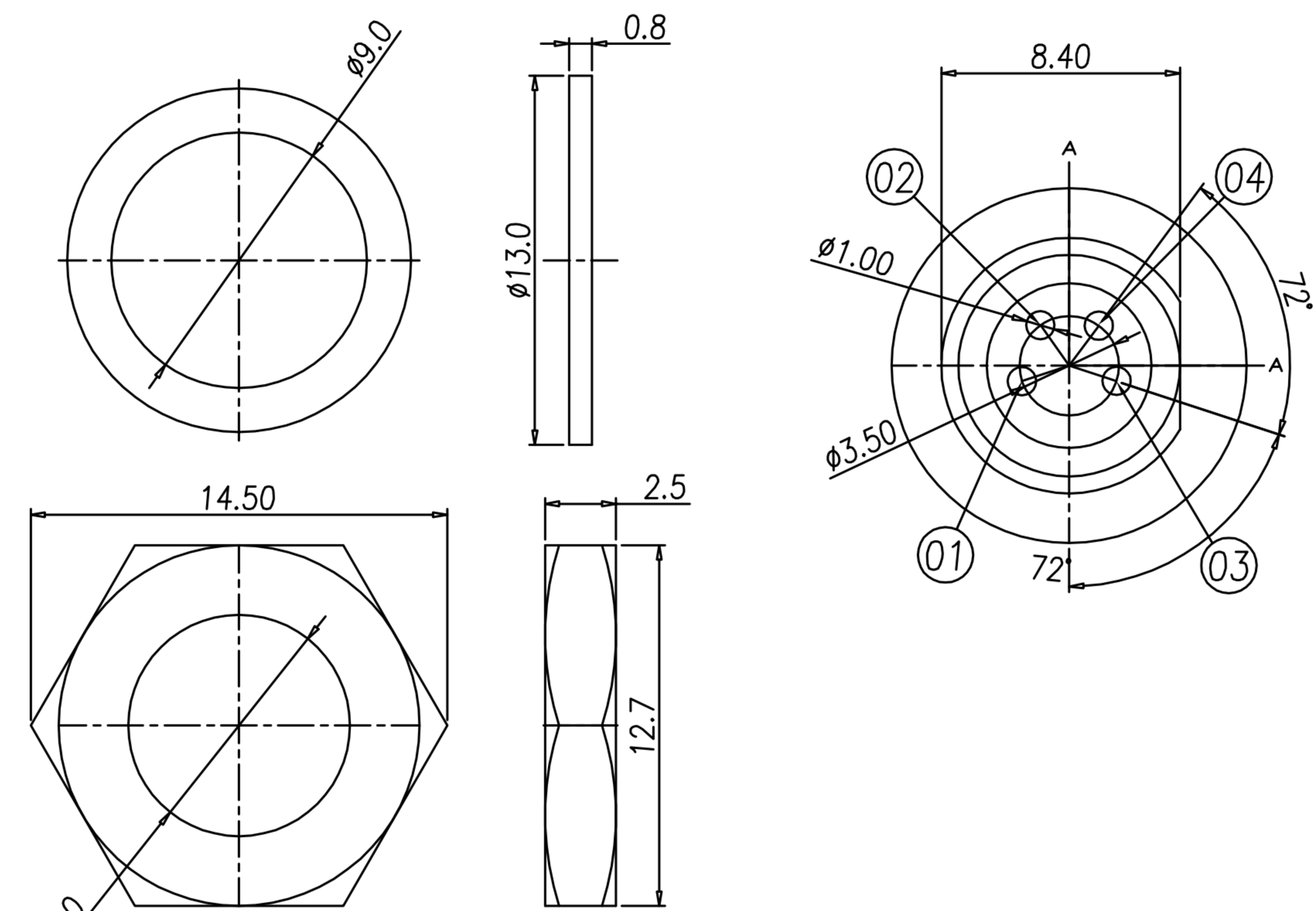


CUSTOMER DRAWING

REV.	DESCRIPTION	APPVL. BY	DATE	ECN NO.
A	RELEASE	Fido Weng	22/12/08*	
B				
C				



- MATERIAL :
 - 1-1. HOUSING : PBT UL94V-0 ; COLOR : BLACK
 - 1-2. CONTACT : BRASS
 - 1-3. SHELL : BRASS
 - 1-4. WASHER : BRASS
 - 1-5. NUT : BRASS
 - 1-6. O-RING : EPDM ; COLOR : BLACK
- FINISH :
 - 2-1. CONTACT : SEE TABLE A
 - 2-2. SHELL : SEE TABLE A
 - 2-3. WASHER : NICKEL PLATING
 - 2-4. NUT : SEE TABLE A
- ELECTRICAL SPECIFICATION :
 - 3-1. Rated current : 4A
 - 3-2. Rated voltage : 60V
 - 3-3. Water proof : IPX7
- Environmental :
 - 4-1. Operation Temperature : $-40^\circ\text{C} \sim 85^\circ\text{C}$

TABLE A/表A

WP-04M2-120-11 WP-04M2-16 WP-04M2-42	WP-03M2-63-11 WP-03M2-08	WP-02M2-07
WP-02M2-07	NICKEL / 鍍 60u"~100u"	GOLD 10u"
WP-03M2-63-11	NICKEL / 鍍 60u"~100u"	GOLD FLASH
WP-03M2-08	NICKEL / 鍍 60u"~100u"	GOLD 10u"
WP-04M2-120-11	NICKEL / 鍍 60u"~100u"	GOLD FLASH
WP-04M2-16	NICKEL / 鍍 60u"~100u"	GOLD 10u"
WP-04M2-42	BLACK NICKEL / 黑鍍 60u"~100u"	GOLD 10u"
P/N	SHELL & NUT FINISH	CONTACT FINISH