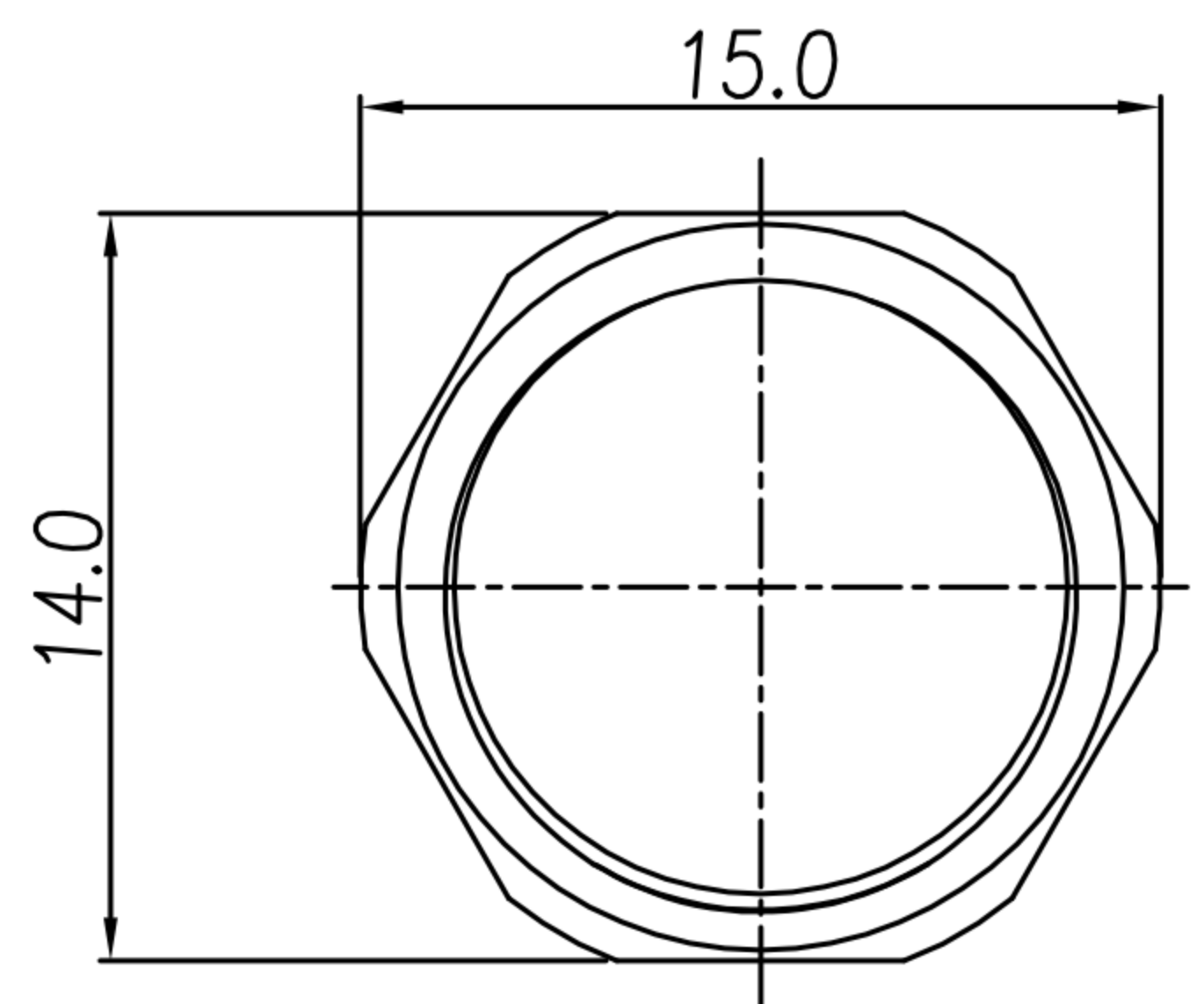
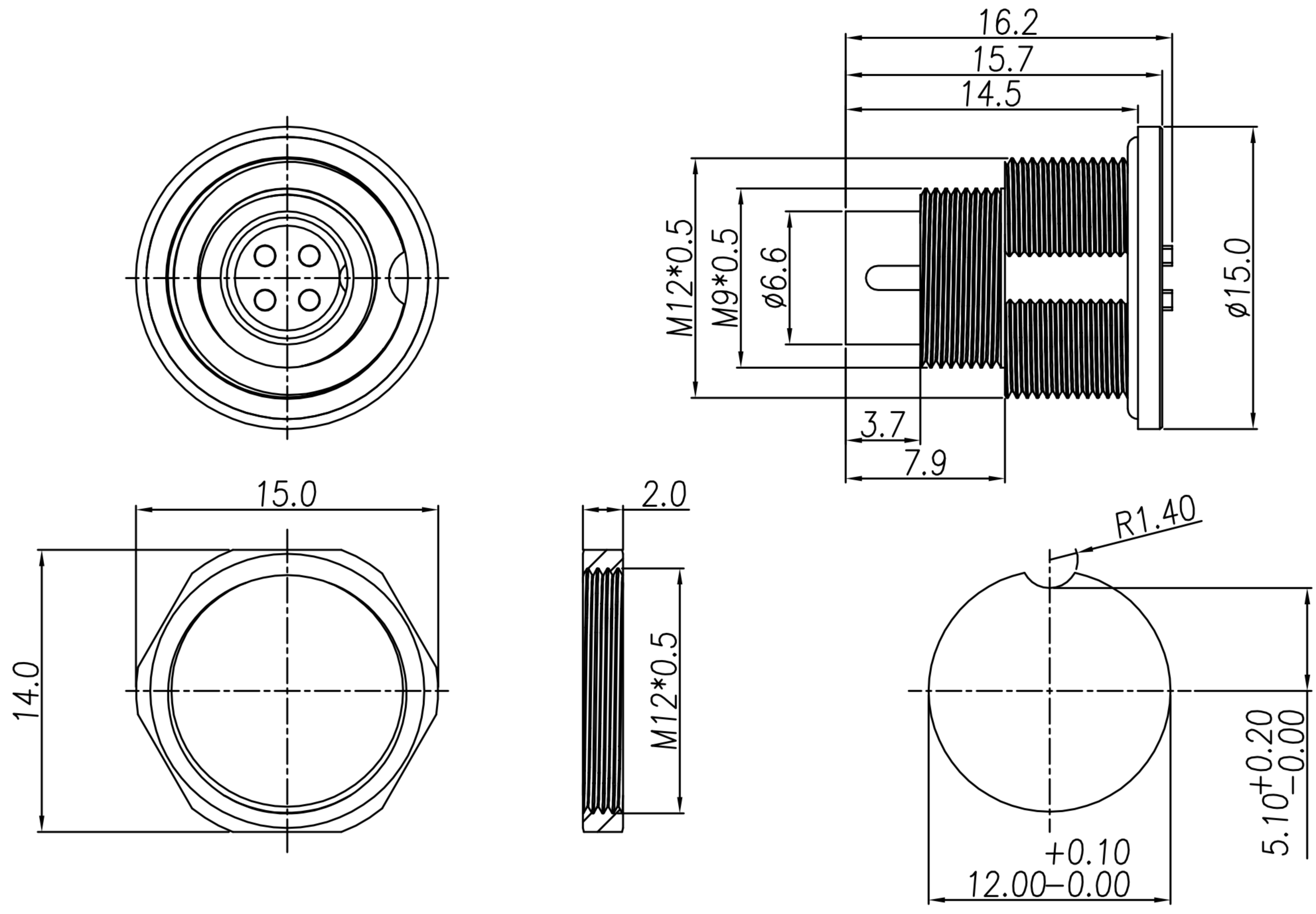


A		B		C		D		E		F	
1	CUSTOMER DRAWING										
REV.	DESCRIPTION	APPVL. BY	DATE	ECN NO.							
△A	RELEASE	LED	18/07/22'								
△B											
△C											



- MATERIAL :
  - HOUSING : PA UL94V-0 ; COLOR : BLACK
  - CONTACT : BRASS.
  - SHELL : BRASS.
  - O-RING : EPDM ; COLOR : BLACK.
  - NUT : BRASS
- FINISH :
  - CONTACT : GOLD FLASH
  - SHELL : NICKEL PLTAEED.
  - NUT : NICKEL PLTAEED.
- ELECTRICAL SPECIFICATION :
  - Rated current(40°C) : 2~3P 4A; 4~5P 3A; 7~8P 1A
  - Rated Voltage : 125V
  - Water proof : IP67
- Environmental :
  - Operation Temperature : -40°C~85°C

NUT

RECOMMEND PANEL CUT-OUT

WP-02M2-87-11	WP-03M2-141-11	WP-04M2-238-11	WP-05M2-205-11	WP-07M2-26-11	WP-08M2-128-11

DRAWN	LED	APP'D	Ku Chou	UNIT	mm	TOLERANCE			广东科斯达电子科技有限公司 GUANG DONG KE SI DA ELECTRONIC TECHNOLOGY CO., LTD.	TITLE	WP M9 (M) M12 前鎖母式			SHEET	1
CHK'D	Ku Chou			SCALE	1:1					PART NO.	SEE TABLE A	DWG NO.	QC10463	VERSION	A