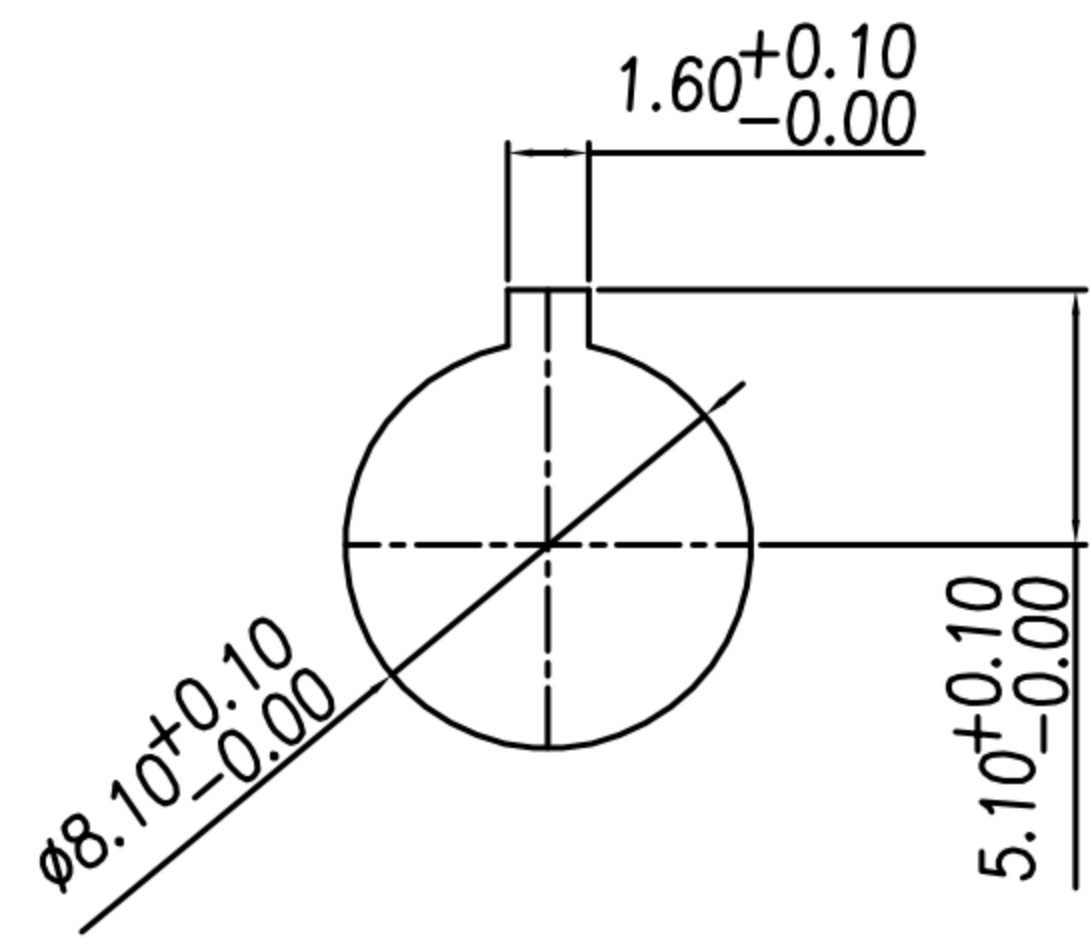
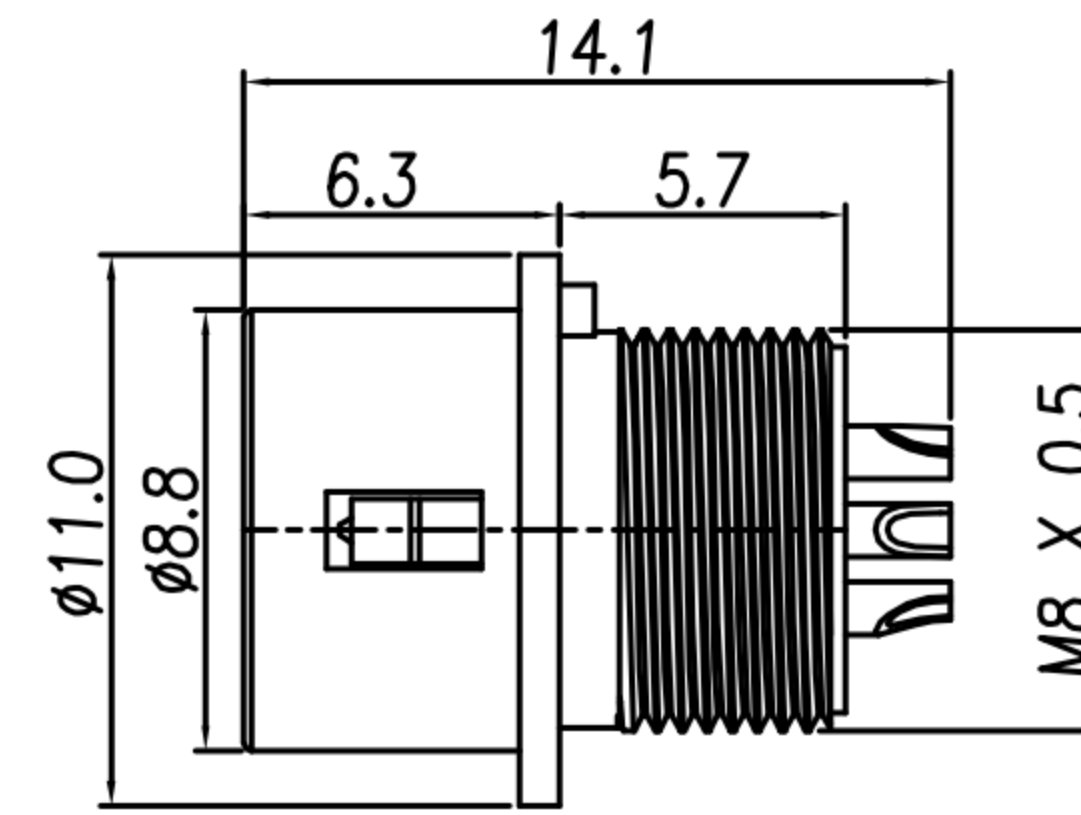
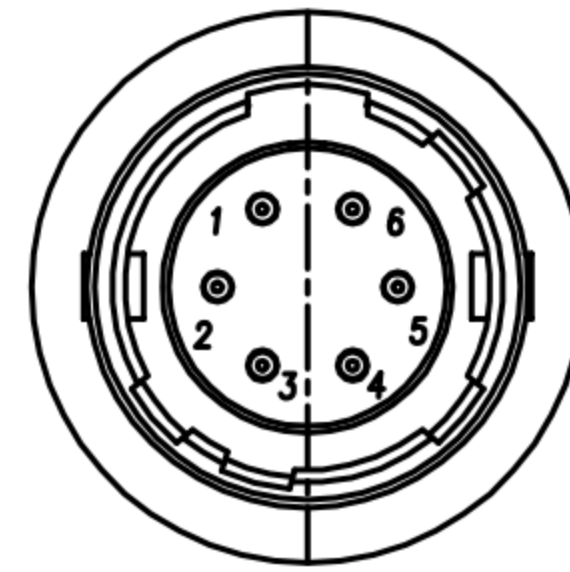


CUSTOMER DRAWING

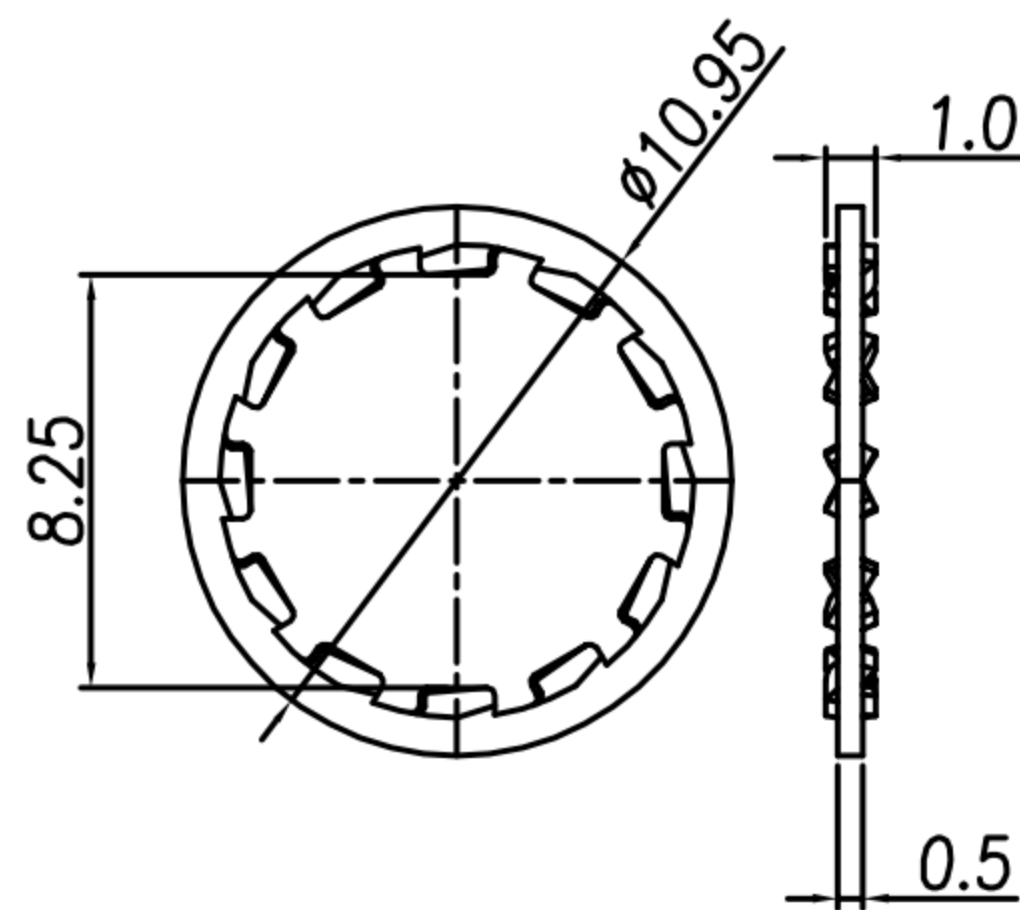
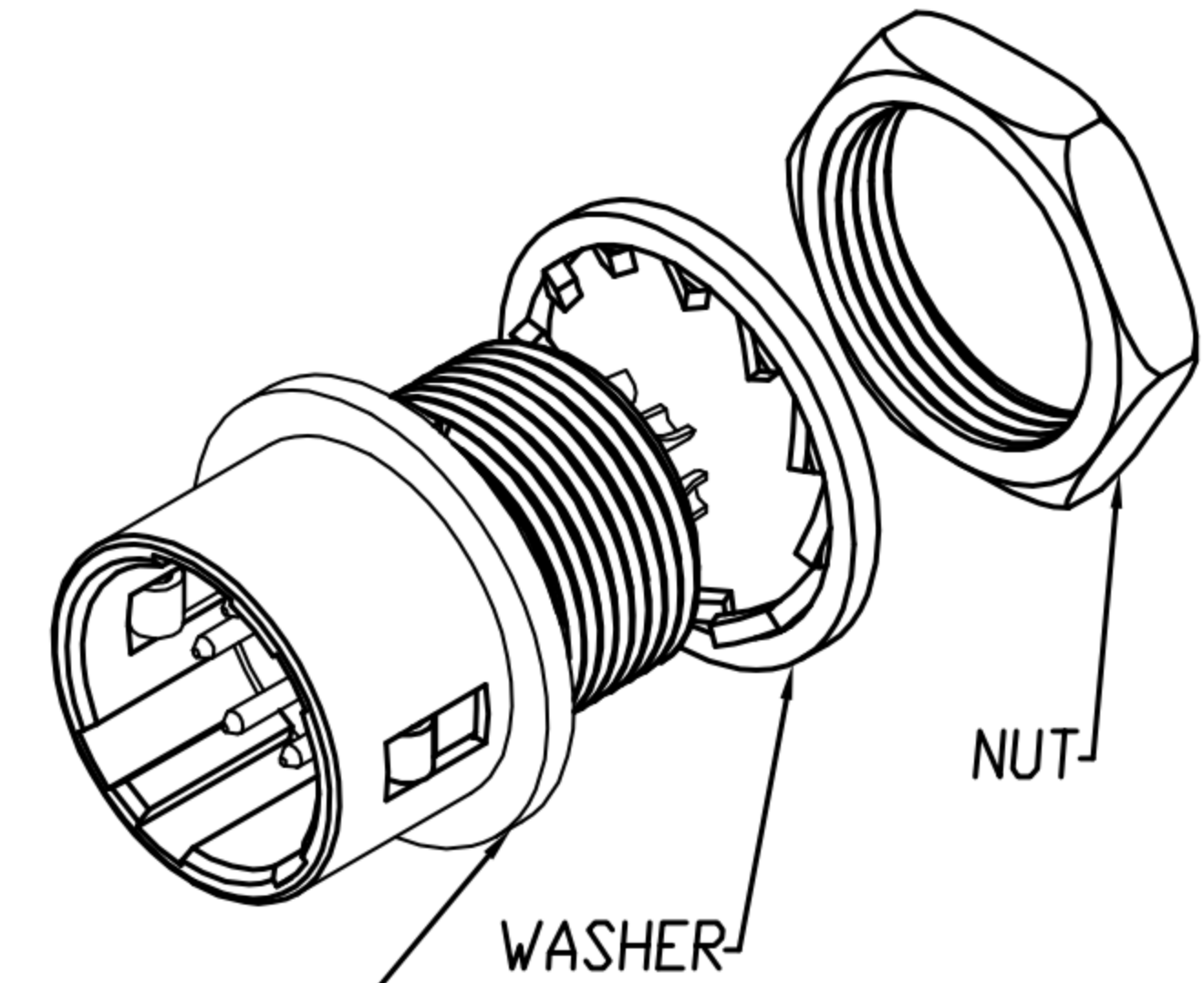
REV.	DESCRIPTION	APPROVED BY	DATE	ECN NO.
A	RELEASE	Emily Suen	22/11/11'	
B	CHANGE MATERIAL	Emily Suen	19/09/22'	
C				
D				



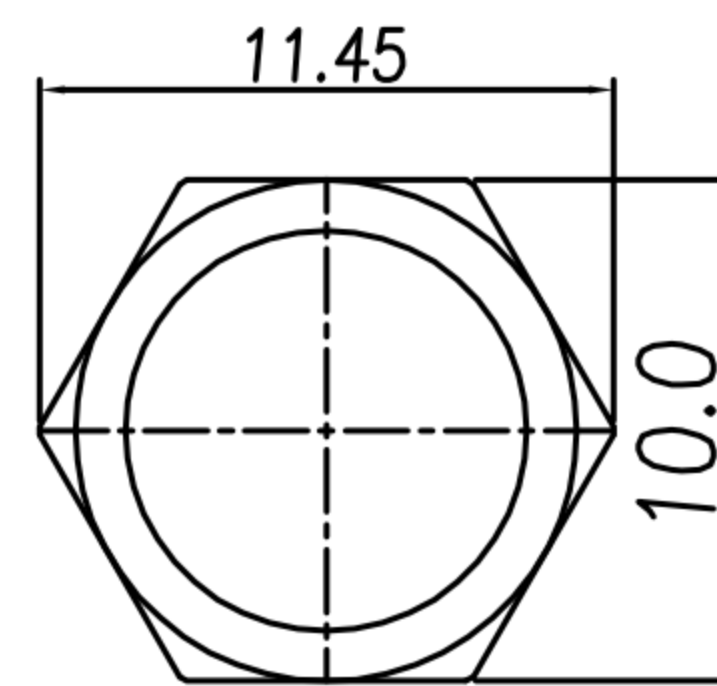
RECOMMENDED MOUNTING HOLE
(Panel thickness 0.7~2)



HOUSING+CONTACT+SPRING+SHELL



WASHER



NUT

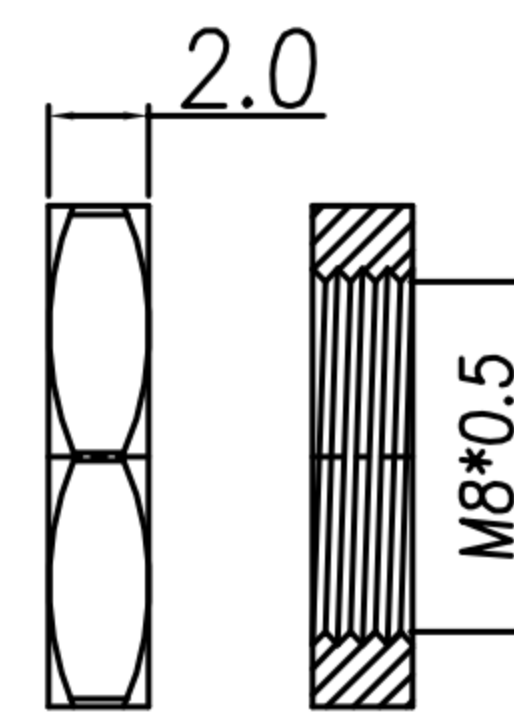


TABLE A

CONTACT ARRANGEMENT(FRONT VIEW)			
DI-04M2-06	DI-05M2-04	DI-06M2-05	DI-07M2-02

1. MATERIAL :

- 1-1. HOUSING : NYLON66 UL94V-0; COLOR : BLACK
- 1-2. CONTACT : BRASS
- 1-3. SHELL : ZINC ALLOY
- 1-4. SPRING : STAINLESS STEEL
- 1-5. WASHER : PHOSPHOR BRONZE
- 1-6. NUT : BRASS

2. FINISH :

- 2-1. CONTACT : GOLD FLASH
- 2-2. SHELL : NICKEL
- 2-3. WASHER : NICKEL
- 2-4. NUT : NICKEL

3. ELECTRICAL SPECIFICATION :

- 3-1. Rated current : 2A
- 3-2. Rated voltage : 4PIN 150V AC / 200V DC ;
5~7PIN 100V AC / 140V DC

4. Environmental :

- 4-1. Operation Temperature : -25°C~85°C

DRAWN	Mark Kao	APPV'L	Ku Chou	UNIT	mm	TOLERANCE		广东科斯达电子科技有限公司 GUANG DONG KE SI DA ELECTRONIC TECHNOLOGY CO., LTD.	TITLE	DIN (M) RECEPTACLE 鍍板/鍍金線式(SHELL SIZE 7mm)			SHEET	
CHK'D	Emily Suen			SCALE	1:1	.x ±0.20 .xx ±0.10 .xxx ±0.05 .xxxx ±0.03 ANGULA ±1°			PART NO.	SEE TABLE A	DWG NO.	QC5664	VERSION	