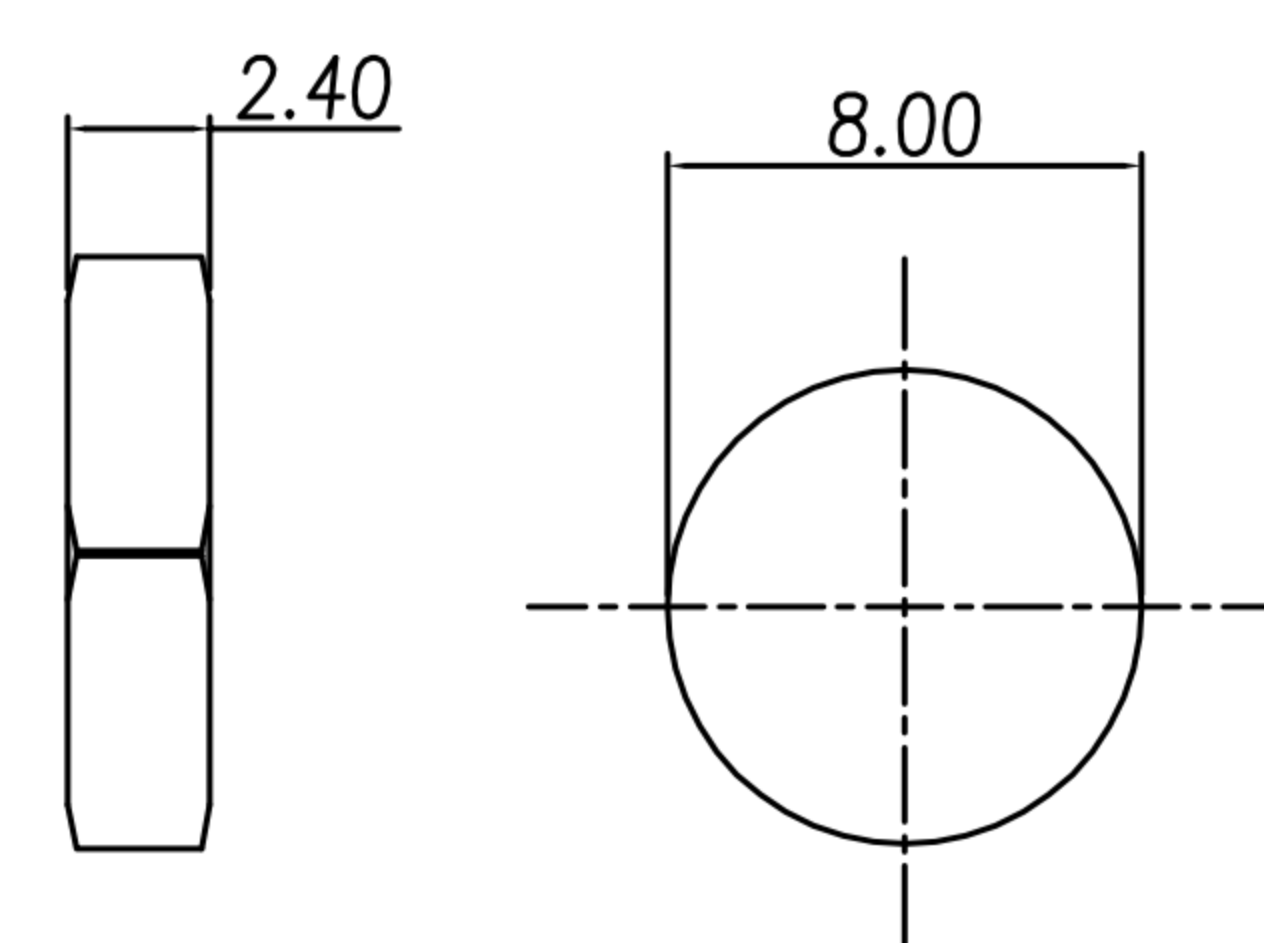
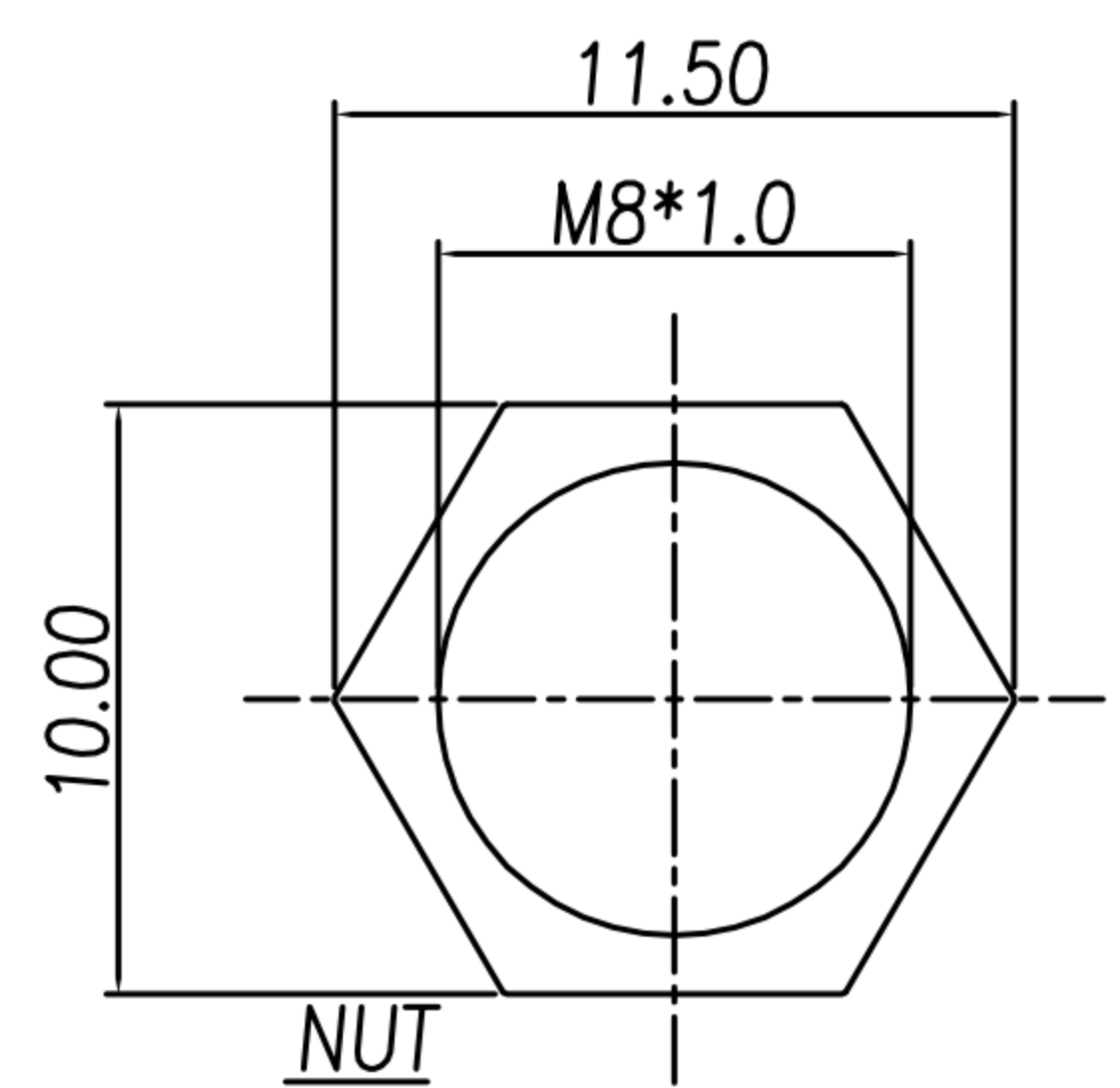
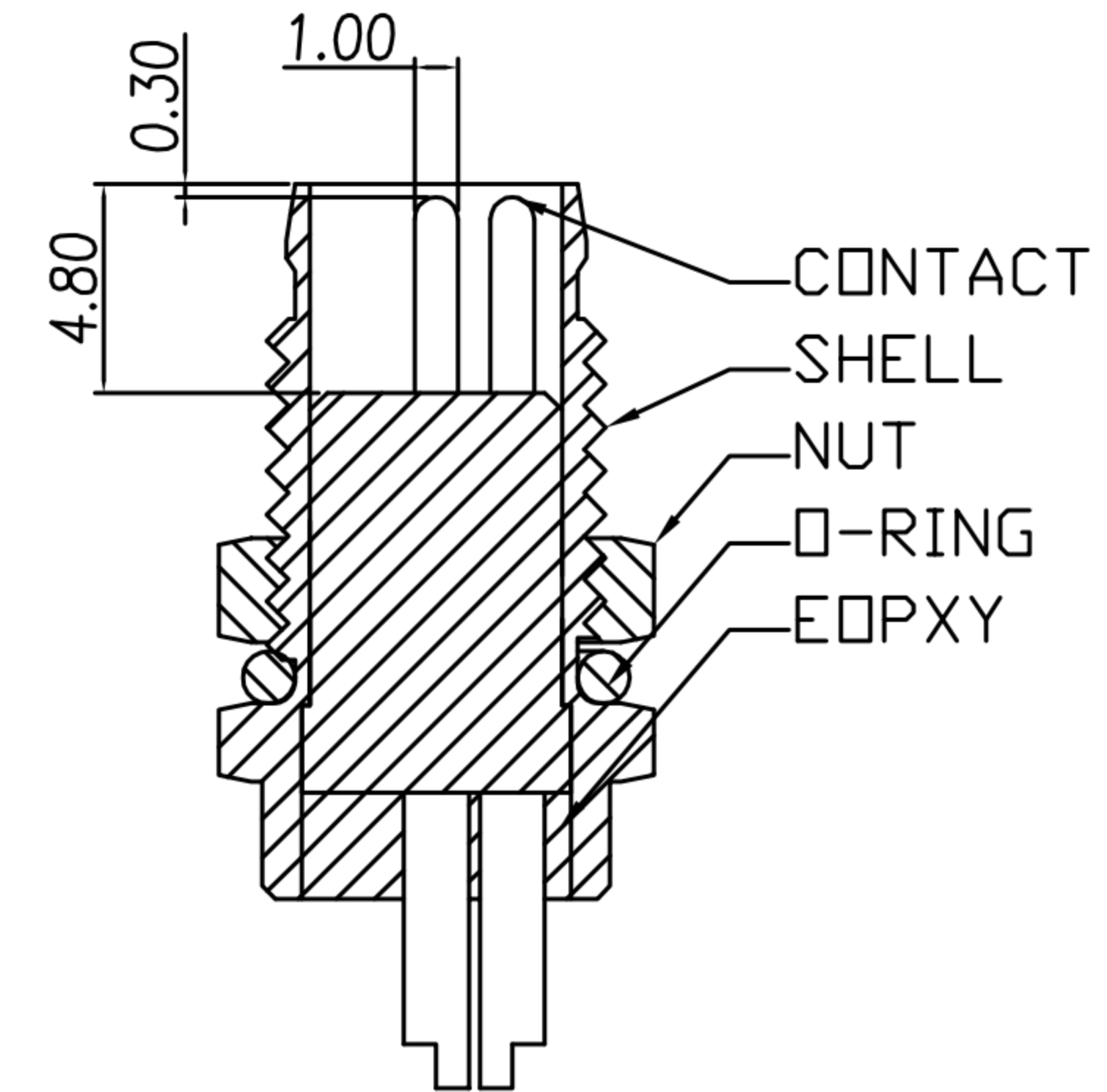
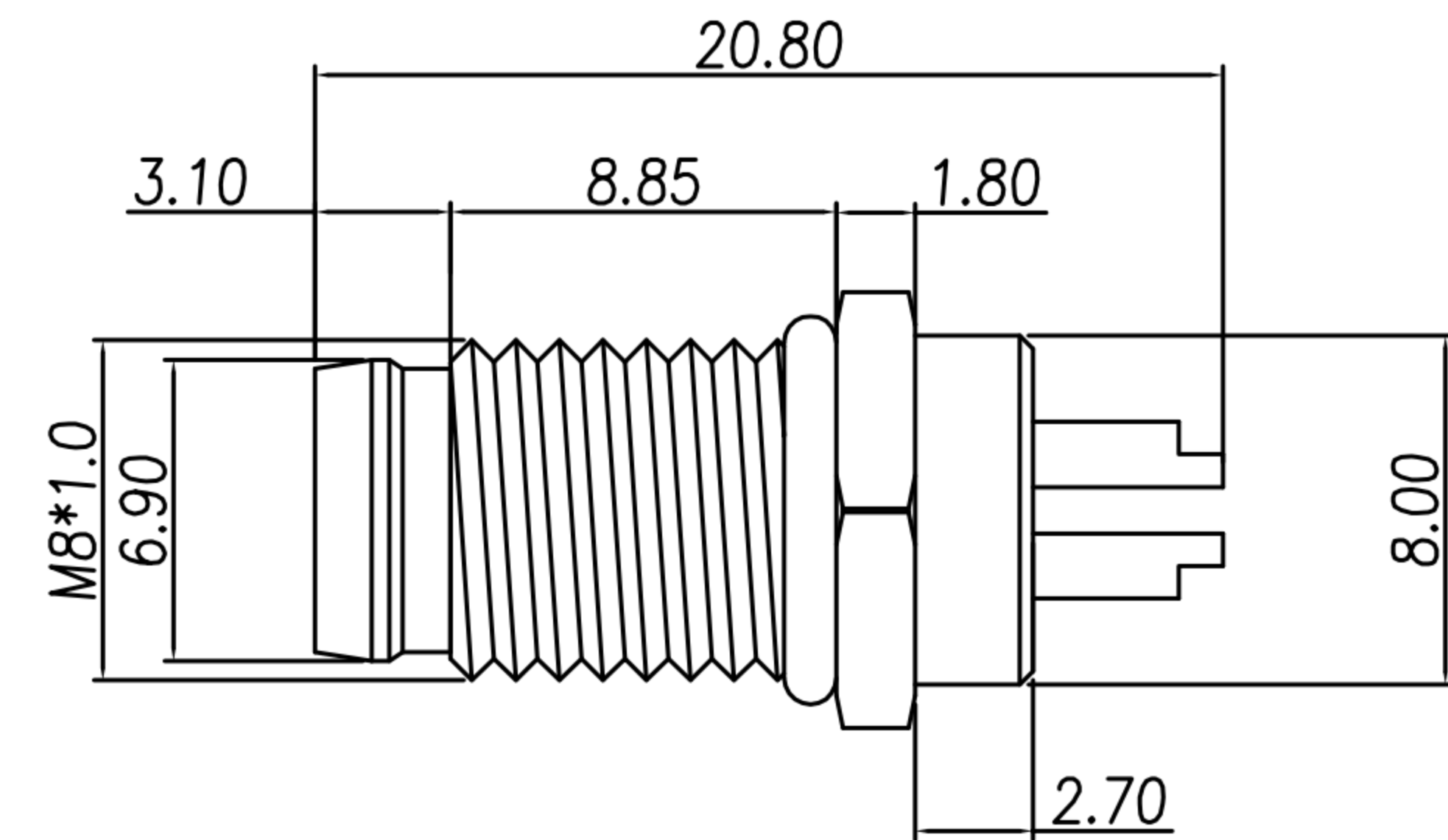
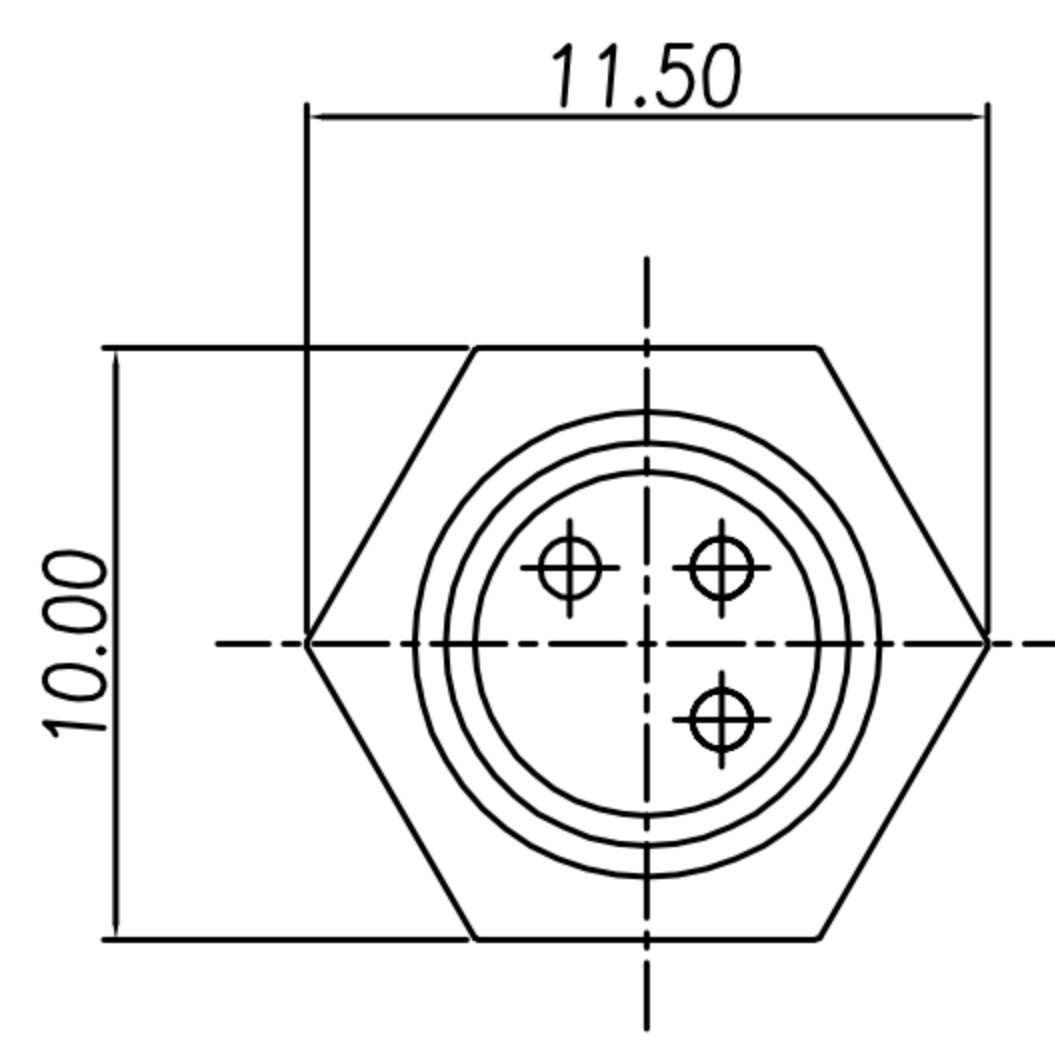


CUSTOMER DRAWING

REV.	DESCRIPTION	APPROVED BY	DATE	ECN NO.
A	RELEASE	Fido Weng	22/06/11*	
B	新增規格	Yeh Chou	29/03/19*	
C				



- MATERIAL :
 - 1-1. HOUSING : PBT ; COLOR : BLACK
 - 1-2. CONTACT : BRASS.
 - 1-3. SHELL : BRASS
 - 1-4. O-RING : NBR ; COLOR : BLACK
 - 1-5. NUT : BRASS.
- FINISH :
 - 2-1. CONTACT : 10 MICRO INCHES MIN. GOLD PLATING
 - 2-2. SHELL : NICKEL PLATED.
 - 2-3. NUT : NICKEL PLATED.
- ELECTRICAL SPECIFICATION :
 - 3-1. Rated current : 4A
 - 3-2. Rated voltage : 60V
 - 3-3. Water proof : IP67
- Environmental :
 - 4-1. Operation Temperature : -20°C~85°C

TABLE A

P/N	DESCRIPTION
WP-02M2-62-11	防水頭 2P (M) 前鎖板M8*1.0 焊線式
WP-04M2-64	防水頭 4P (M) 前鎖板M8*1.0 焊線式
WP-03M2-22	防水頭 3P (M) 前鎖板M8*1.0 焊線式
WP-02M2-19	防水頭 2P (M) 前鎖板M8*1.0 焊線式

