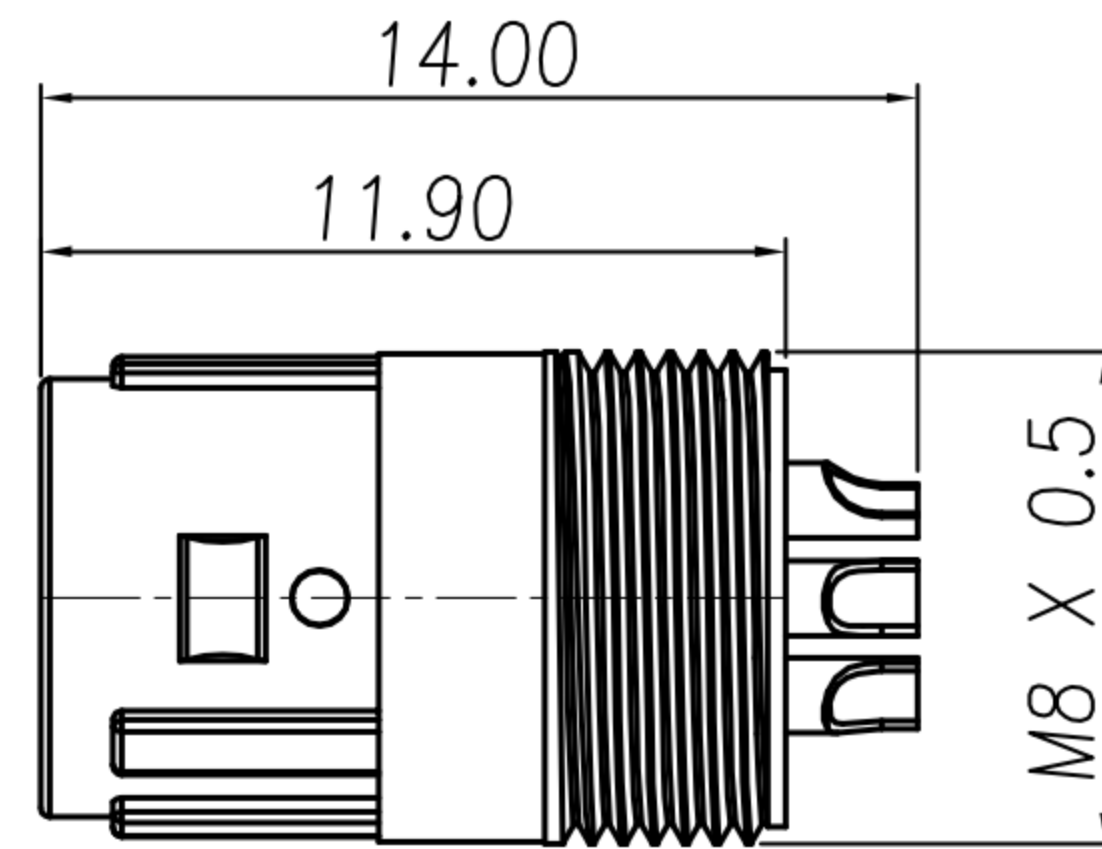
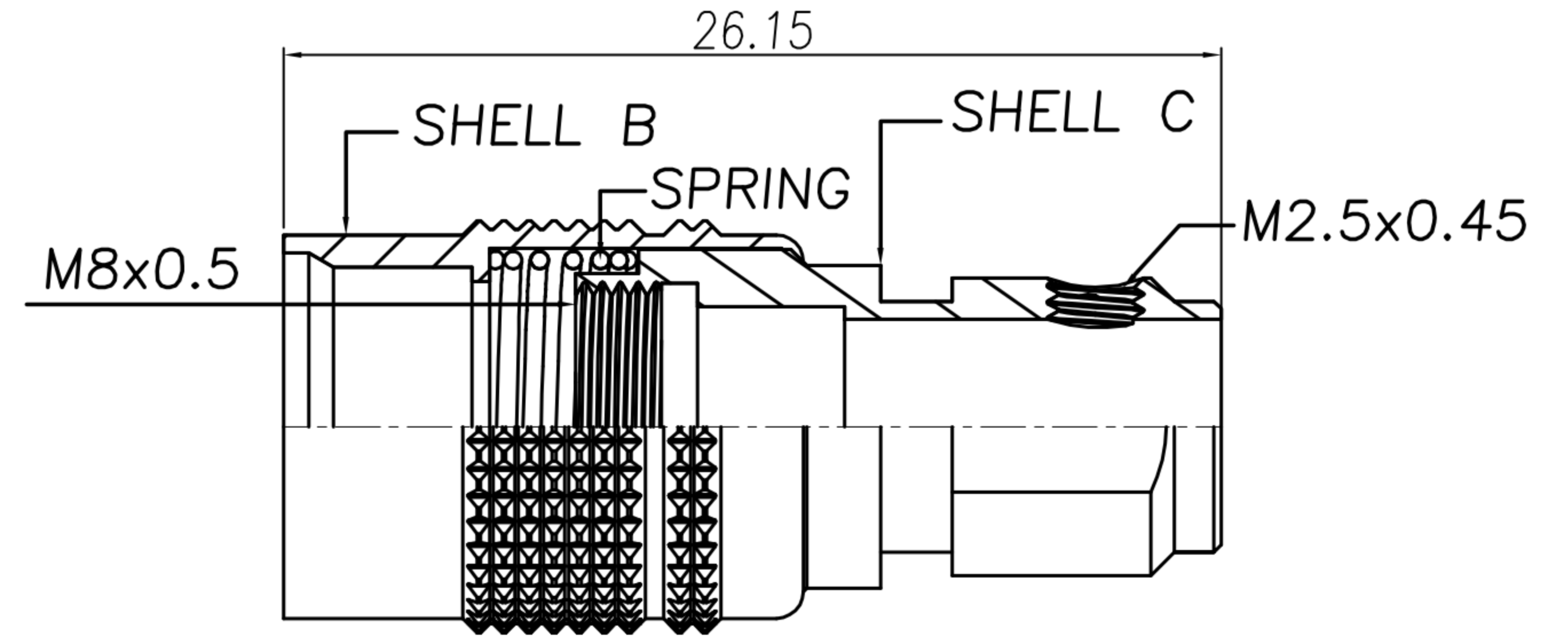
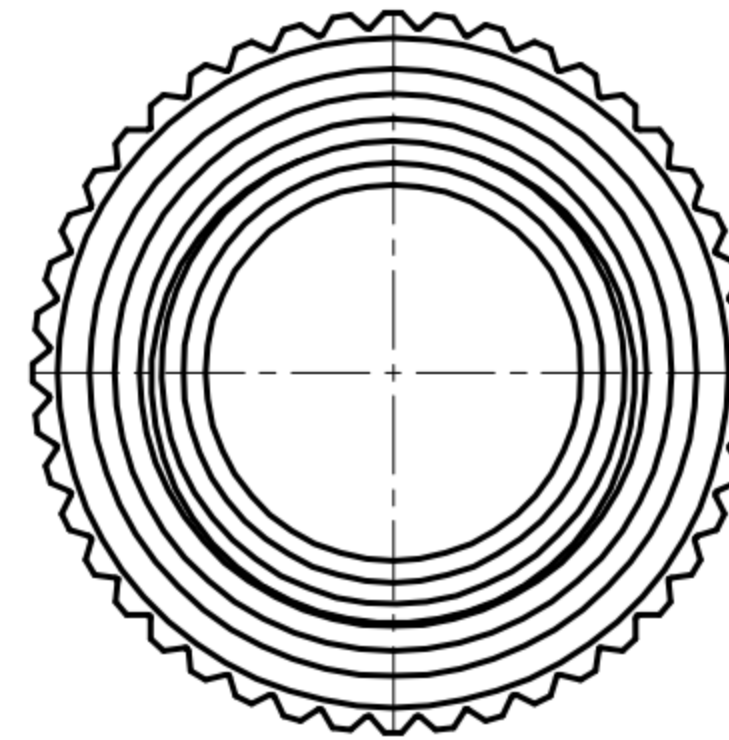


CUSTOMER DRAWING

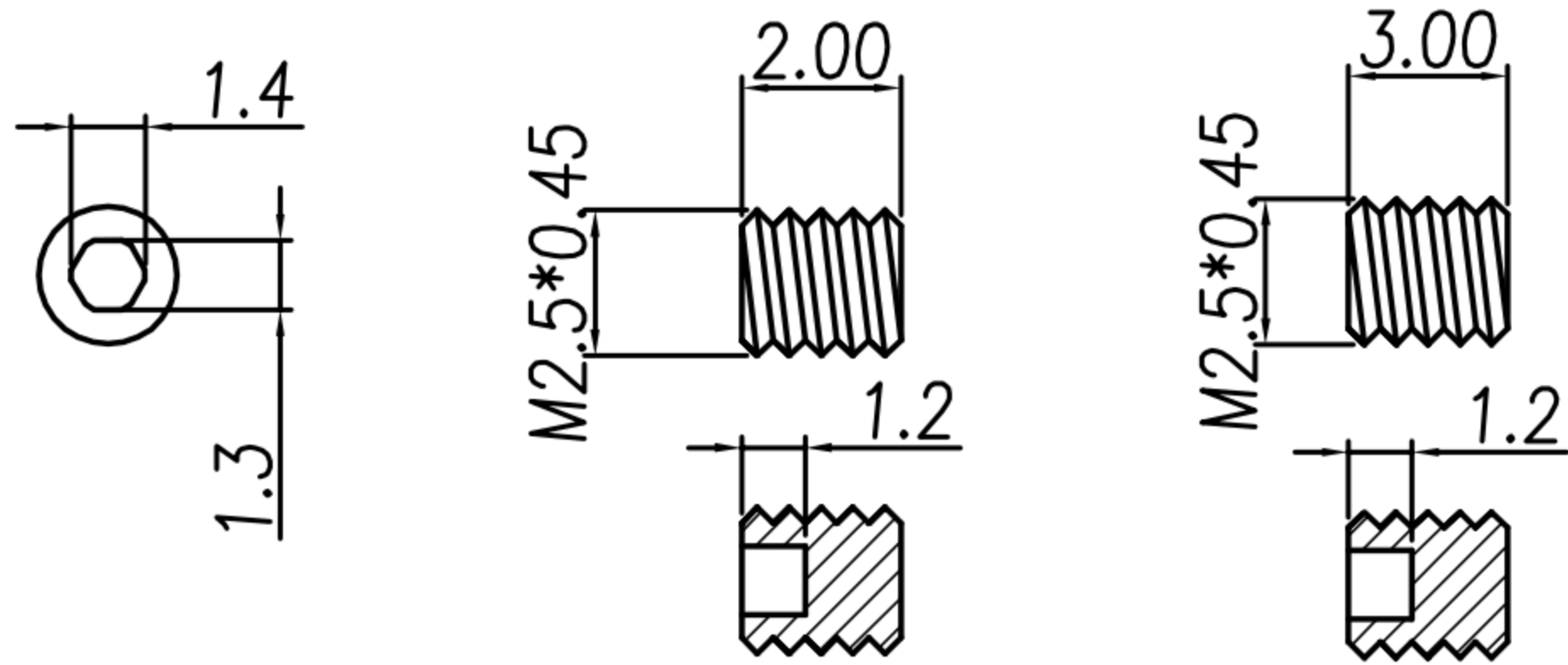
| REV. | DESCRIPTION     | APPROVED BY | DATE      | ECN NO. |
|------|-----------------|-------------|-----------|---------|
| A    | RELEASE         | Emily Suen  | 22/11/11' |         |
| B    | CHANGE MATERIAL | Emily Suen  | 19/09/22' |         |
| C    |                 |             |           |         |
| D    |                 |             |           |         |



HOUSING + CONTACT + SHELL A

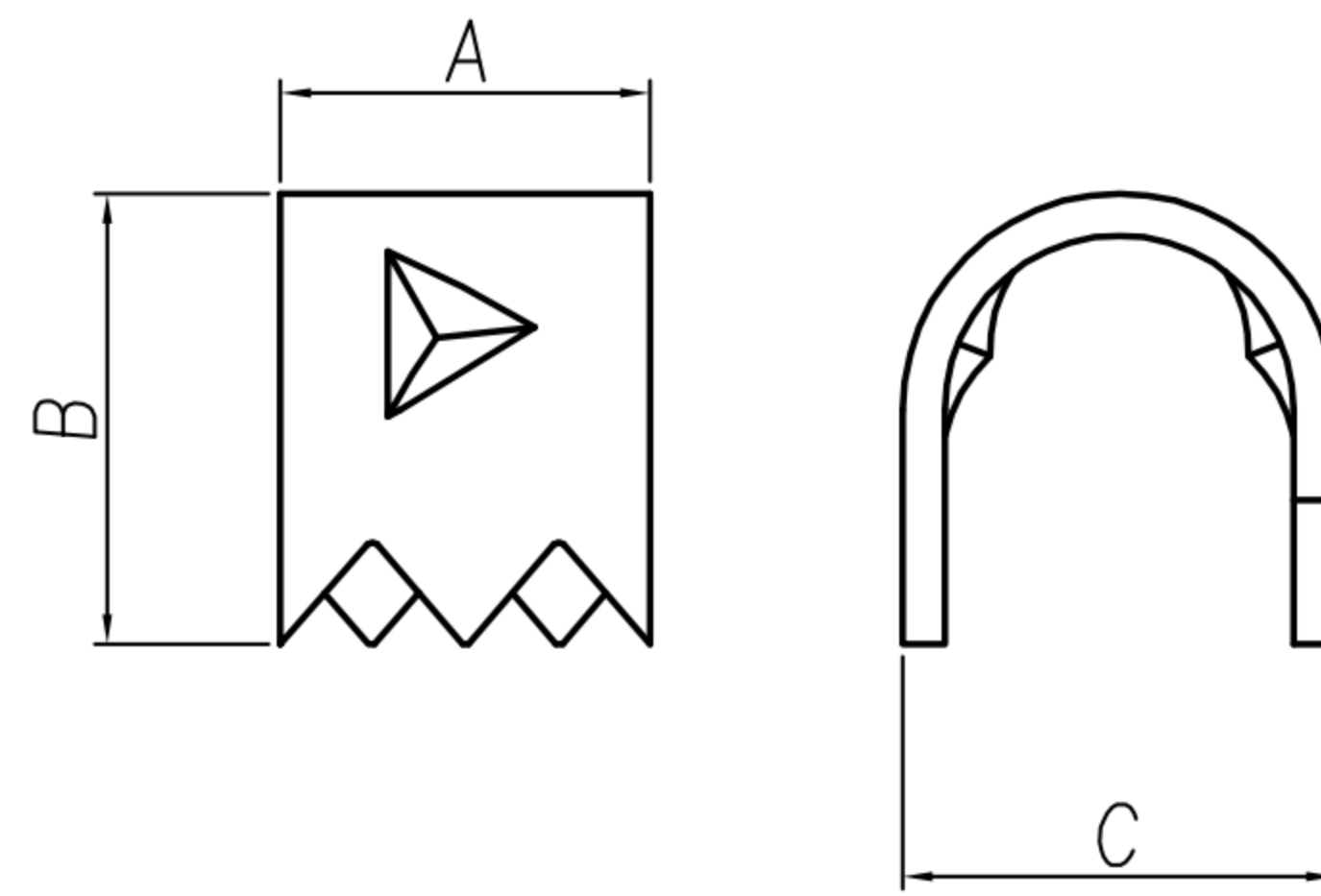


SHELL B + SHELL C + SPRING



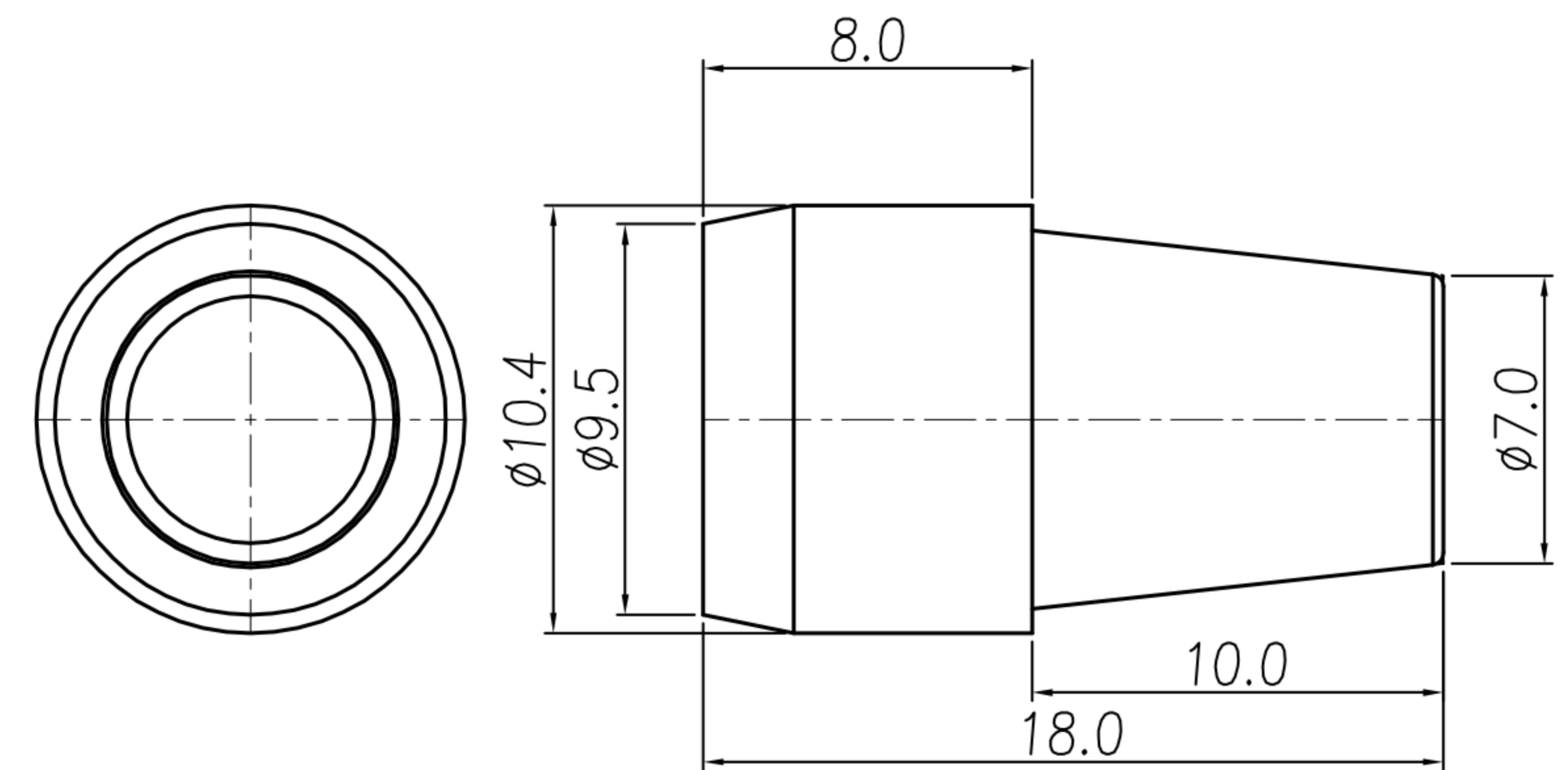
OY-DM0649 OY-DM0545

SCREW



CRAMP

OY-WP0371  
OY-DM0639



SR

|           | A   | B   | C   |
|-----------|-----|-----|-----|
| OY-WP0371 | 6.1 | 7.5 | 7.8 |
| OY-DM0639 | 4.0 | 6.0 | 6.5 |

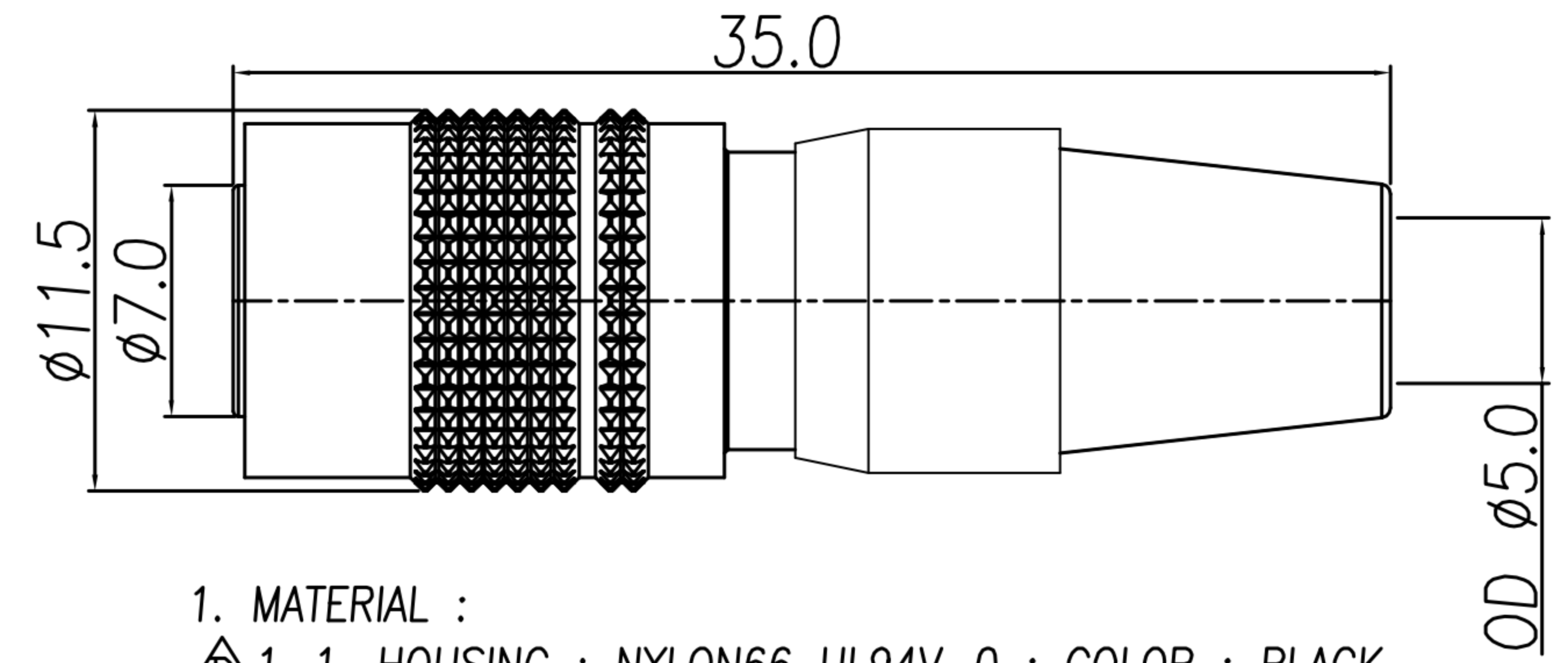
|       |            |       |         |          |             |   |  |  |         |                                   |         |   |       |   |
|-------|------------|-------|---------|----------|-------------|---|--|--|---------|-----------------------------------|---------|---|-------|---|
| DRAWN | Mark Kao   | APPVL | Ku Chou | UNIT     | mm          | TOLERANCE<br>.x ±0.20<br>.xx ±0.10<br>.xxx ±0.05<br>.xxxx ±0.03<br>ANGULA ±1° |  | 广东科斯达电子科技有限公司<br>GUANG DONG KE SI DA ELECTRONIC TECHNOLOGY CO., LTD. | TITLE   | DIN (F) PLUG 插孔式 (SHELL SIZE 7mm) |         |   | SHEET | 2 |
| CHK'D | Emily Suen |       |         | PART NO. | SEE TABLE A |   |  |  | DWG NO. | QC5663                            | VERSION | B |       |   |

CUSTOMER DRAWING

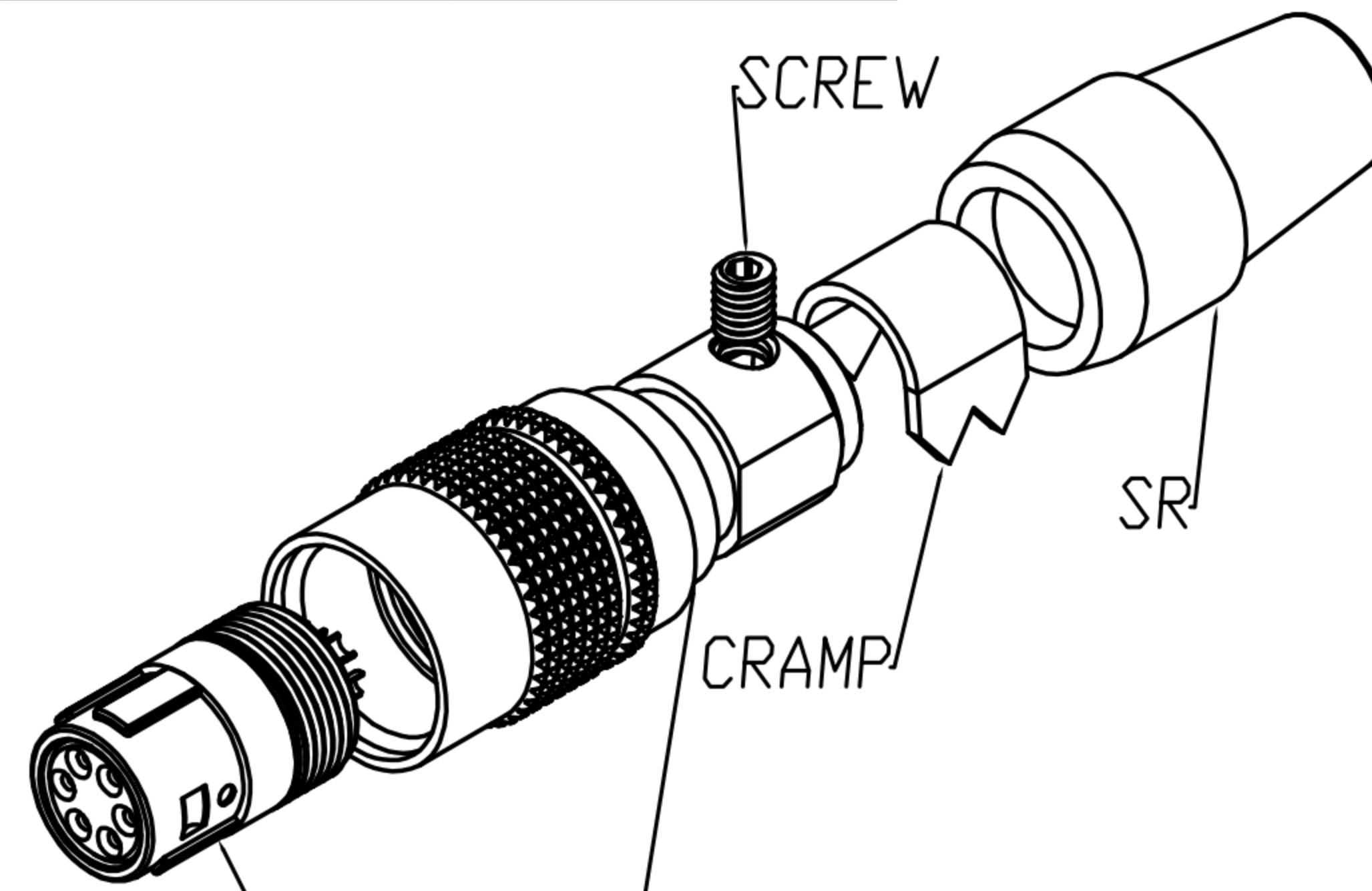
| REV. | DESCRIPTION     | APPROVED BY | DATE      | ECN NO. |
|------|-----------------|-------------|-----------|---------|
| △A   | RELEASE         | Emily Suen  | 22/11/11' |         |
| △B   | CHANGE MATERIAL | Emily Suen  | 19/09/22' |         |
| △C   |                 |             |           |         |
| △D   |                 |             |           |         |

TABLE A

| CONTACT ARRANGEMENT(FRONT VIEW) |            |            |            |
|---------------------------------|------------|------------|------------|
|                                 |            |            |            |
| DI-04F2-04                      | DI-05F2-01 | DI-06F2-05 | DI-07F2-01 |
| CONTACT ARRANGEMENT(FRONT VIEW) |            |            |            |
|                                 |            |            |            |
| DI-06F2-08<br>(小線夾)             |            |            |            |



- MATERIAL :
  - △B 1-1. HOUSING : NYLON66 UL94V-0 ; COLOR : BLACK
  - 1-2. CONTACT : PHOSPHOR BRONZE
  - 1-3. SHELL A : ZINC ALLOY
  - 1-4. SHELL B : BRASS
  - 1-5. SHELL C : BRASS
  - 1-6. SPRING : STAINLESS STEEL
  - 1-7. SCREW : ALLOY STEEL
  - 1-8. CRAMP : BRASS
  - 1-9. SR : NBR ; COLOR : BLACK
- FINISH :
  - 2-1. CONTACT : GOLD FLASH
  - 2-2. SHELL A : NICKEL
  - 2-3. SHELL B : SATIN NICKEL
  - 2-4. SHELL C : NICKEL
  - 2-5. SPRING : NICKEL
  - 2-6. SCREW : NICKEL
- ELECTRICAL SPECIFICATION :
  - 3-1. Rated current : 2A
  - 3-2. Rated voltage : 4PIN 150V AC / 200V DC ;  
5~7PIN 100V AC / 140V DC
- Environmental :
  - 4-1. Operation Temperature : -25℃~85℃



HOUSING + CONTACT + SHELL A  
SHELL B + SHELL C + SPRING

|       |            |        |         |       |     |  |  |  |          |                                  |         |        |       |
|-------|------------|--------|---------|-------|-----|--|--|--|----------|----------------------------------|---------|--------|-------|
| DRAWN | Mark Kao   | APPV'L | Ku Chou | UNIT  | mm  | TOLERANCE  |  | 广东科斯达电子科技有限公司<br>GUANG DONG KE SI DA ELECTRONIC TECHNOLOGY CO., LTD. | TITLE    | DIN (F) PLUG 插頭 (SHELL SIZE 7mm) |         |        | SHEET |
| CHK'D | Emily Suen |        |         | SCALE | 1:1 | .x ±0.20<br>.xx ±0.10<br>.xxx ±0.05<br>.xxxx ±0.03<br>ANGULA ±1° |  |  | PART NO. | SEE TABLE A                      | DWG NO. | QC5663 |       |